



MACHINE CODE : B20800

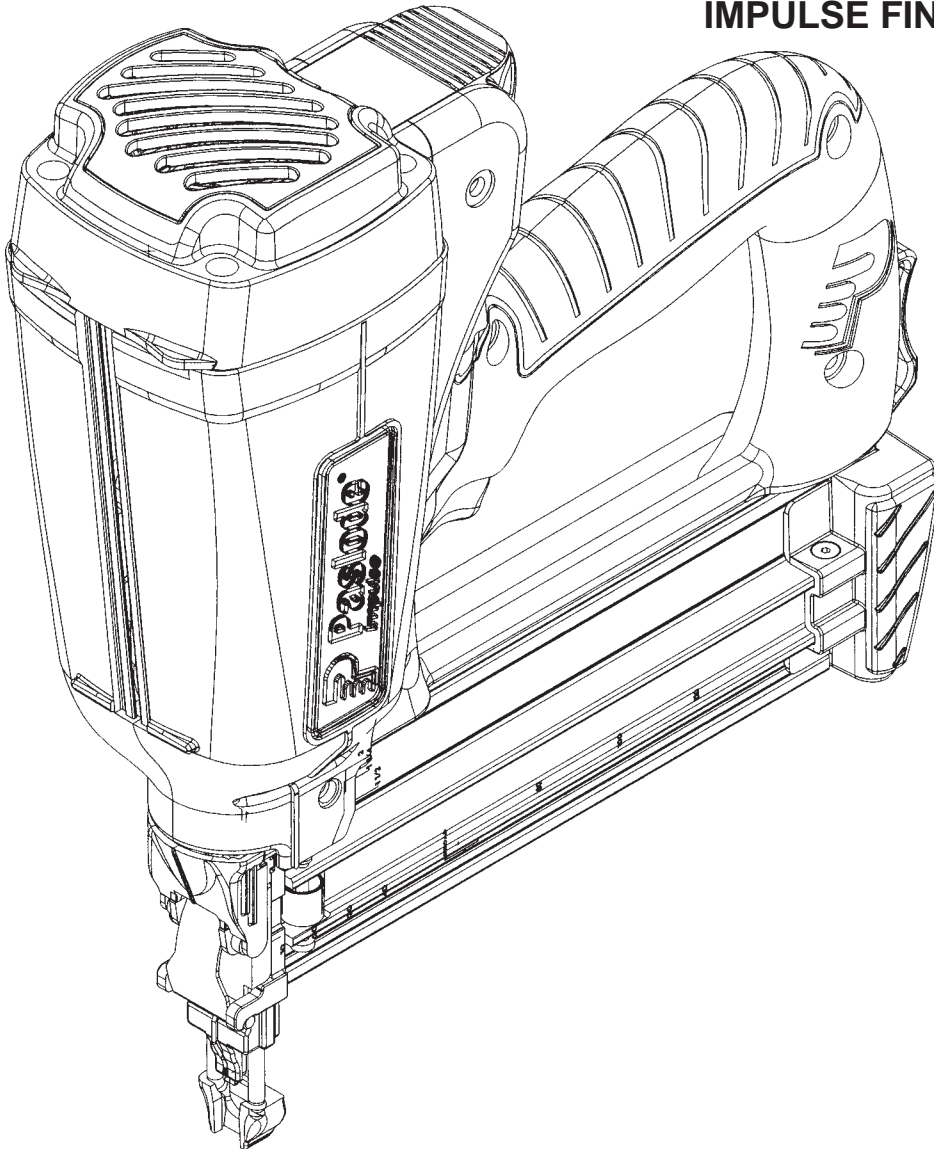
Model: IM200 F18

Part No. 901000

Impulse 18 Gauge Finish Nailer

MACHINE CODE : B20800

MODEL IM200 F-18  
IMPULSE FINISH NAILER

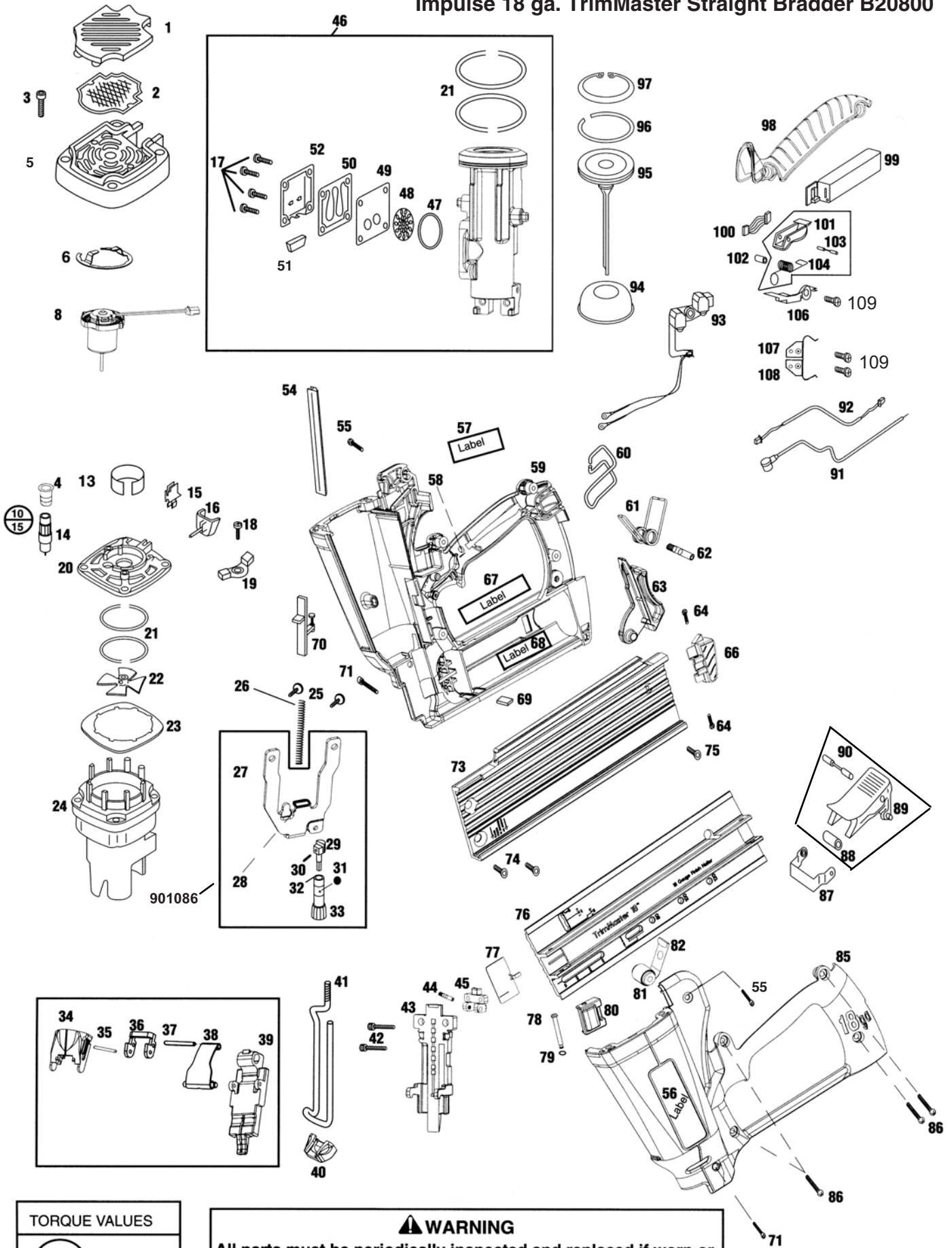


## TOOL SCHEMATIC AND PARTS

**IMPORTANT!  
DO NOT DESTROY**

Always refer to operators manual #405606 for detailed information on this tool. It is the customers responsibility to have all operators and service personnel read and understand this information.

# Impulse 18 ga. TrimMaster Straight Bradder B20800



TORQUE VALUES	
MIN	IN/LBS
MAX	

**WARNING**  
 All parts must be periodically inspected and replaced if worn or broken. Failure to do this can affect the tool's operation and present a safety hazard.

# PARTS LEGEND

# Impulse 18 ga. TrimMaster Straight Bradder B20800

1	900640	1	Grill	56	900651	2	Housing Label	
*	2	900648	1	Filter	57	901060	1	NamePlate
3	901064	4	S.H.C.S. 8-32 X 1-3/8"	58	404385	1	Light Pipe	
4	900785	1	Spark Plug Sleeve	59	901079	1	Handle Right Side	
>	5	900961	1	Cap	60	900289	1	Belt Hook
6	901119	1	Retaining Ring	61	901019	1	Torsion Spring Magazine Latch	
8	901382	1	Fan Motor Assembly	62	900353	1	Pivot Pin	
*	13	401356	1	Motor Sleeve	63	901014	1	Magazine Latch Release
14	900714	1	Spark Plug Assembly	64	901061	2	Screw 6-32 x 3/16 BH	
15	900674	1	Wire Clip	66	901013	1	Magazine End Cap	
16	900697	1	Stem Adapter	67	900496	1	Warning Label	
17	405140	4	Screw 8-32 x 7/16" (RED)	68	900508	1	International label	
18	900596	1	Screw, Sems 8-32 x7/16"	69	404922	2	Battery Contact Pad	
19	900739	1	Cylinder Head Circuit Board	70	901095	1	Switch Slide Assembly	
20	900605	1	Cylinder Head	71	901097	2	Screw 8-32 x 1/2" (YELLOW)	
21	900612	4	Seal Ring	73	901084	1	Magazine Wear Assembly	
22	900709	1	Fan Assembly	■	74	900660	2	Screw 10-32 x 3/8"
23	900700	1	Air Dam	75	901062	1	Screw 6-32 x 1/8"	
24	900729	1	Combustion Chamber Assembly	76	901012	1	magazine Cover	
25	900746	2	Screw 8-32 x 7/16" phtx	77	901015	1	Follower	
26	901038	1	Spring	78	901018	1	Magazine Pin	
27	901037	1	Yoke	79	901055	1	O-Ring	
28	901039	1	Yoke Support	80	901052	1	Spring Cover	
29	901029	1	Yoke Guide	81	901016	1	Constant Force Spring	
30	900734	1	Roll Pin	82	901017	1	Spool Spring	
31	900645	1	Ball Knob	85	901080	1	Handle Left Side	
32	900361	1	Retaining Clip	86	901066	4	Screw - Plastite	
33	900727	1	Knob Assembly	87	900703	1	Handle Bracket	
34	901009	1	Latch Cover Quick Clear	88	900755	1	Bushing Actuator	
35	900685	1	Spring Pin	89	900788	1	Actuator Assembly	
36	901005	1	Latch Clip	90	404433	1	Pin Actuator	
37	901049	1	Spring Pin	91	900765	1	Spark Plug Wire Assembly	
38	901006	1	Spring Clip Assembly	92	900663	1	Fan Wire Assembly	
39	901002	1	Front Plate	93	901050	1	Molded Circuit Assembly	
40	901048	1	Probe Tip	94	901021	1	Piston Bumper	
41	901007	1	Probe	95	901078	1	Piston Assembly	
42	901026	2	Screw 10-24 x .75	96	901040	1	Piston Ring	
43	901003	1	Back Plate	97	901036	1	Retaining Ring	
44	901025	1	Support Pin	98	901044	1	Soft Grip	
45	901004	1	Front Plate Support	99	900672	1	Electronic Spark Unit	
46	901081	1	Sleeve Assembly	100	900662	1	ESU power Wire Assembly	
47	900616	1	O-Ring	101	901045	1	Trigger	
48	901089	1	Exhaust Baffle	102	900608	1	Trigger spring Bushing	
49	900665	1	Reed Plate	103	901047	1	Trigger Pin	
50	900664	1	Reed Valve	104	901053	1	Trigger Spring	
51	900609	1	Muffler	106	900629	1	High Tension Clip	
52	900668	1	Muffler Cover	107	900312	1	Contact Positive	
54	901059	1	Front Channel	108	900311	1	Contact Negative	
55	900598	2	Screw 10-32 x 5/16" (RED)	109	404702	3	Screw 6-32 x 3/8"	

## SAFETY INSTRUCTIONS

### WEAR EYE AND HEARING PROTECTION

\* Denotes Normal Wear Items

■ Apply Loctite (RC-620 Green)

\*\* Make Sure Warning Label (900496)  
is Properly Affixed replace if necessary  
Label is available at no charge through Service Dept

> Denotes Change

Always wear hearing protection and  
eye protection devices, including side  
Shields when operating or working  
in the vicinity of a tool.



# ACCESSORIES

## Car Adaptor

Enables you to re-charge your battery with your vehicle's electrical system.



Part No. B20544H

---

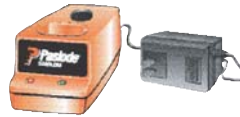
## Battery

Part No. B20544E

---

## Battery Charger Kit

(Replacement Charger Base Only Part No. B20544D)  
(Replacement Transformer Only Part No. B20544C)



Part No. B20544B

---

## Degreaser Cleaner

Ideal cleaner for all Paslode® tools.



Part No. B20544L

---

## Paslode Lubricating Oil



Part No. B20544F

---

## Carrying Case

Part No. 900751

---

## Torx Key - T7

For tightening fan blade to motor

Part No. 900183

---

## No-Mar Hard Tip

Part No. 901048

## No-Mar Soft Tip

Part No. 901067

---



PO Box 914  
Ingleburn, 1890  
[www.paslode.com.au](http://www.paslode.com.au)



PO Box 100303, NSMC  
Auckland, New Zealand  
[www.paslode.co.nz](http://www.paslode.co.nz)