

**MODEL WCS200
16 Gauge Wide
15/16" Crown
Stapler**



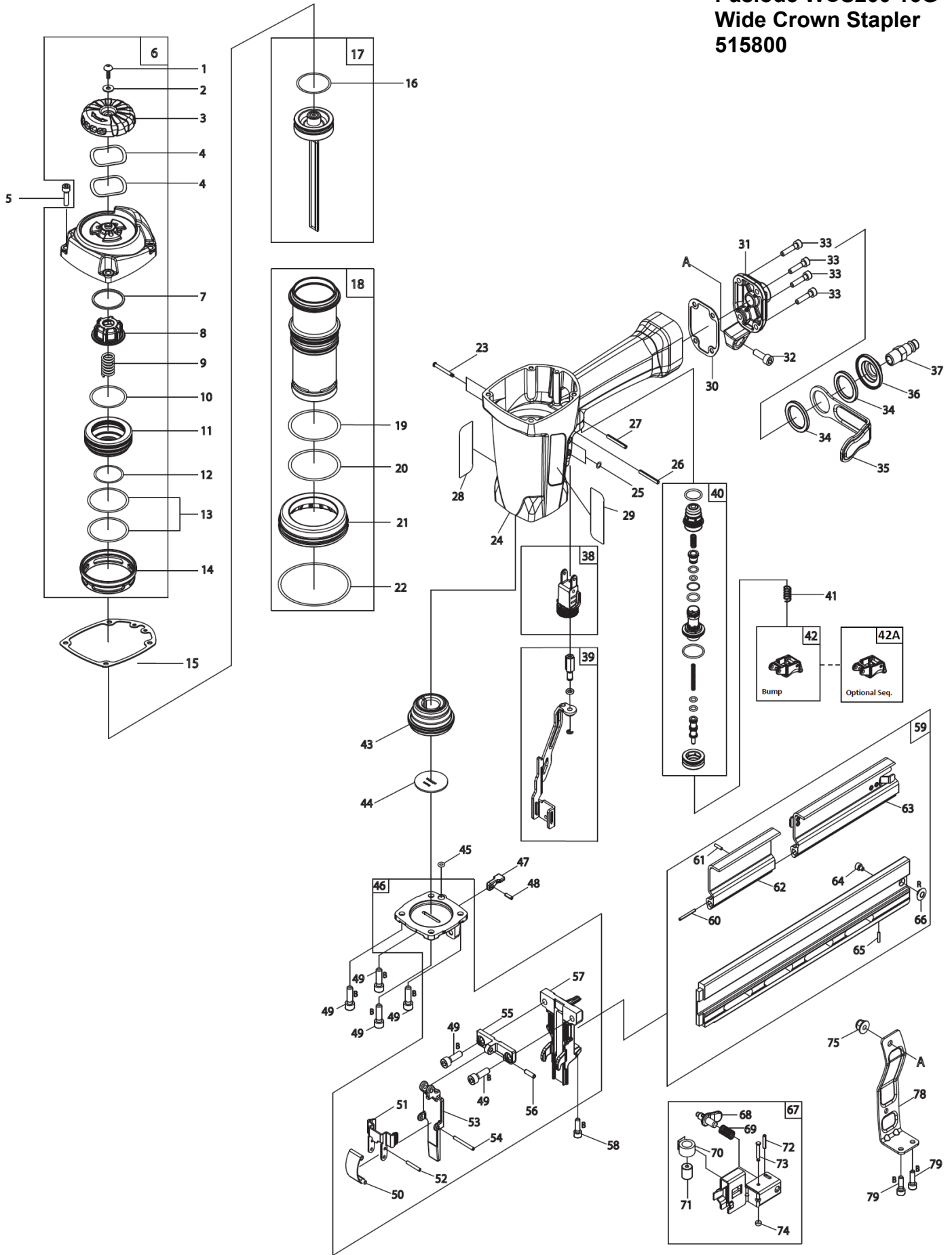
IMPORTANT!

DO NOT DESTROY

It is the customer's responsibility to have all operators and service personnel read and understand this manual.

**OPERATING MANUAL AND
SCHEMATIC**

**Paslode WCS200 16G
Wide Crown Stapler
515800**



All parts sold as single items unless described as a set etc., or forms part of an assembly (multiple items defined within a box). A part with no item number is only available in an assembly.

PARTS LEGEND

PASLODE WCS200 16G STAPLER

515800

■ 1	720478	1 Bolt UH	42A	720420	1 Trigger, Sequential (Grey)
2	FW050120B-10	1 Washer, Flat	* 43	515735	1 Bumper
3	720408	1 Cover, Exhaust	44	515739	NP Seal, Driver
4	720482	2 Washer, Wave	* 45	919017	1 O-Ring (RPLS 720461)
■ 5	720484	4 Screw SHC	46	515751	1 Nose Assembly
6	515701	1 Cap Assembly	47	515717	NP Stopper
7	720417	1 Spacer	48	515544	1 Pin, Roll
8	720412	1 Stop, Piston	■ 49	515719	NP Screw SHC
9	720410	1 Spring	50	515744	1 Spring Assembly, Latch
* 10	720465	1 O-ring	51	515720	1 Latch
11	515402	1 Valve, Main	52	720029	1 Pin, Roll
* 12	720467	1 O-Ring	53	515722	1 Plate, Nose Driver Guide
* 13	720469	2 O-Ring	54	RP3030S	1 Pin, Roll
14	720413	1 Collar	55	515723	NP Plate, Nose Support
* 15	720414	1 Gasket, Cap	56	515545	1 Pin, Roll
* 16	720466	1 O-Ring	57	515725	NP Nose
* 17	515702	1 Driver & Piston Assembly	58	HS05080BW-16	NP Screw SHC SEMS
18	515703	1 Cylinder Assembly	59	515712	NP Magazine Assembly
* 19	720468	1 O-Ring	60	720040	1 Pin, Roll
* 20	503479	1 O-Ring	61	515727	NP Pin, Roll
21	515715	1 Ring, Cylinder	62	515728	NP Front Magazine Cover
* 22	515713	1 O-Ring	63	515729	NP Rear Magazine Cover Assy
23	720427	2 Pin, Step	64	721034	1 Screw, SHC
24	515407	NP Body, Housing	65	503205	NP Pin, Roll
* 25	OR01919N	2 O-Ring	66	905593	1 Bush, Positioning
26	720475	1 Pin, Roll	67	515730	1 Follower Assembly
27	720474	1 Pin, Roll	68	15306403	NP Stopper (POA 515730)
28	515704	NP Label, Logo LH	69	905598	1 Spring
29	515705	NP Label, Logo RH	70	515732	1 Spring, Negator
* 30	720424	1 Gasket, Air Inlet Cap	71	15308601	NP Roller (POA 515730)
31	515706	1 Cap, Air Inlet	72	515556	1 Pin, Roll
32	515714	NP Screw SHC	73	905596	1 Shaft
■ 33	720458	4 Screw SHC	* 74	905597	1 Ring, PU
34	515716	2 Seal	75	LN0600NB	1 Nut, Lock
35	515736	NP Hook, Belt	76		NP Deleted
36	515737	NP Bracket, Belt Hook	77		NP Deleted
37	515762	NP Air Coupling	78	515733	NP Bracket
38	515707	1 Depth of Drive Assembly	■ 79	720457	2 Screw, SHC
39	515750	1 Probe/Safety Lever Assy	80		NP Deleted
40	515709	1 Valve Assembly, Trigger	** 81	515568	1 Label, Warning
41	720407	1 Spring	82	515752	NP Label, Magazine
42	721086	1 Trigger, Bump (Orange)			

* Normal Wear Items

** Ensure Warning Label is affixed and legible

■ Apply Loctite® 242 (Blue)

NP Non Procurable



Use eye protection when cleaning tools.

Use eye and ear protection when operating/testing tools.

Use degreaser in a well ventilated area

Use only approved Paslode Compressor Tool Oil PN F27625.

Never use mineral based oils.

Oil tool daily with 4 to 6 drops via air inlet connection.

Heavy usage will require more frequent oiling.

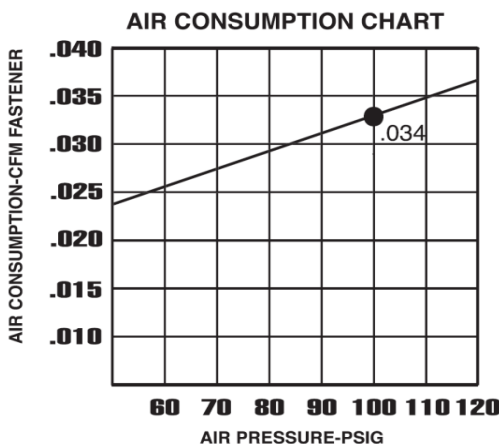
Operating air pressure at the tool inlet: 550-790 kpa (80-115 psi)

Never exceed the maximum stated air pressure.

Regularly check the regulator and pressure gauge operation.

A water/oil trap must be installed on the regulator outlet and drained regularly.

Never use bottled air or gases such as oxygen to operate the tool.



WARNING: All parts must be periodically inspected and replaced if worn or damaged. Failure to comply can affect the tool's operation and present a safety hazard.