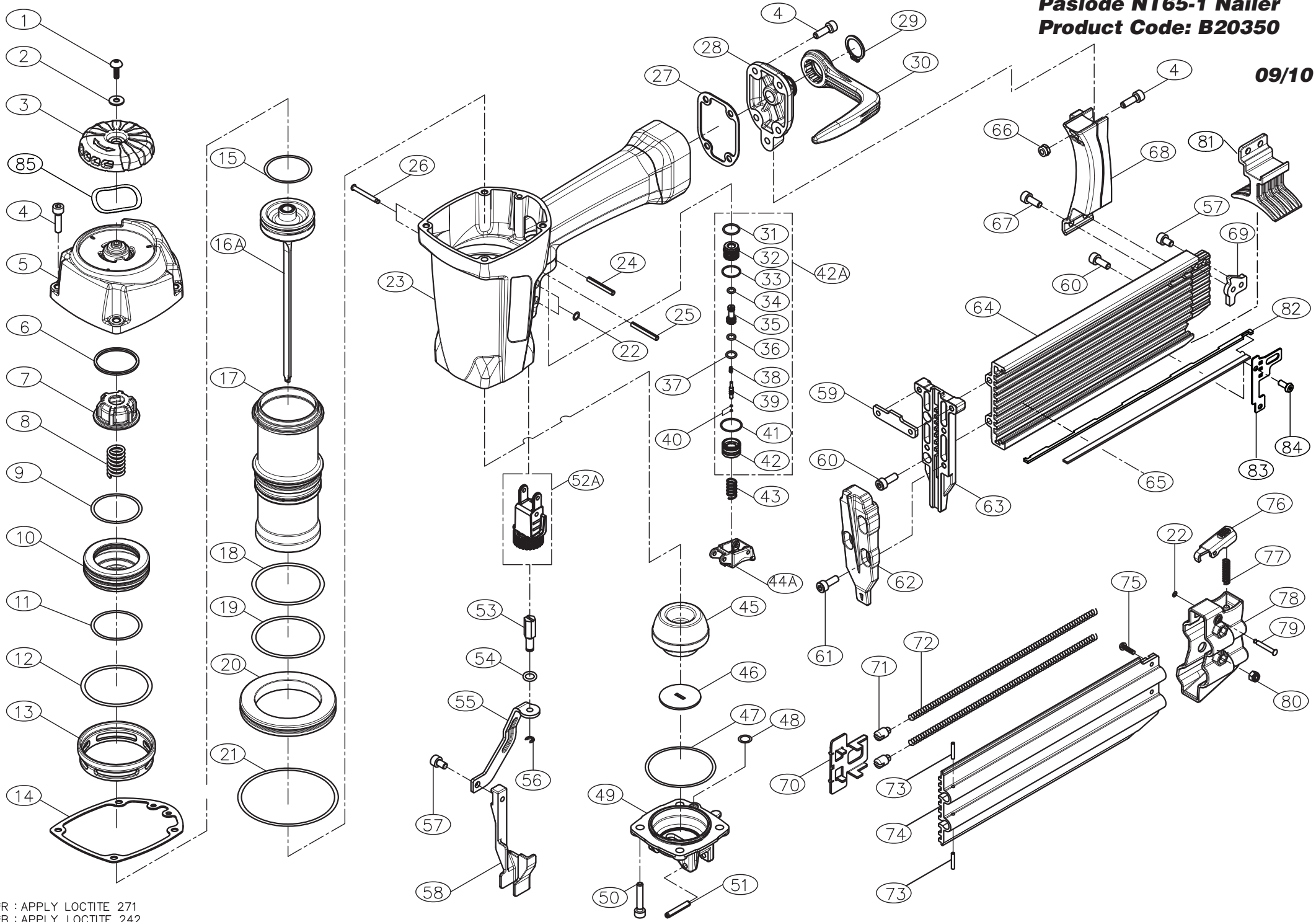


Paslode NT65-1 Nailer
Product Code: B20350

09/10



*R : APPLY LOCTITE 271
*B : APPLY LOCTITE 242

Product Code B20350

ITEM	PART No	DESCRIPTION	QTY
01	720478	UM.HD.BOLT	1
02	721058	FLAT WASHER	1
03	720408	EXHAUST COVER	1
04	720458	HEX.SOC.HD.BOLT	9
05	720409	CAP	1
06	720417	SPACER	1
07	720412	PISTON STOP	1
08	720410	COMPRESSION SPRING	1
09	720465	O RING**	1
10	720411	PISTON HEAD VALVE	1
11	720467	O RING**	1
12	720469	O RING**	2
13	720413	COLLAR	1
14	720414	CYLINDER CAP SEAL	1
15	720466	O RING**	1
16A	720441	DRIVER ASSEMBLY**	1
17	720415	CYLINDER	1
18	720468	O RING**	1
19	720470	O RING	1
20	720416	CYLINDER RING	1
21	720472	O RING**	1
22	721020	O RING**	3
23	720419	BODY	1
24	720474	ROLLED PIN	1
25	720475	ROLLED PIN	1
26	720427	STEP PIN	2
27	720424	GASKET	1
28	720425	END CAP, BLACK	1
29	720453	C RING**	1

Parts Legend NT65-1

ITEM	PART No	DESCRIPTION	QTY
30	720426	BELT HOOK	1
31	720017	O RING	1
32	720402	TRIGGER VALVE	1
33	720234	O RING**	1
34	720235	O RING**	1
35	720405	VALVE PLUNGER	1
36	720463	O RING**	1
37	720242	O RING**	1
38	720277	SPRING	1
39	720406	PLUNGER	1
40	720460	O RING**	2
41	720464	O RING**	1
42	720403	TRIGGER VALVE CAP	1
42A	720404	TRIGGER VALVE ASSEMBLY	1
43	720407	SPRING	1
44A	720420	SEQUENTIAL FIRE TRIGGER,	1
45	720418	BUMPER	1
46	720452	WASHER	1
47	720471	O RING	1
48	720461	O RING	1
49	720447	BOTTOM	1
50	720459	HEX.SOC.HD.BOLT	4
51	720476	SET SCREW	2
52A	720422	Depth of Drive Assembly	1
53	720423	CONTACT ARM	1
54	720462	O RING**	1
55	720446	UPPER SAFETY LEVER	1
56	720335	E RING	1
57	720454	HEX.SOC.HD.BOLT	3

09-2010

ITEM	PART No	DESCRIPTION	QTY
58	720445	SAFETY LEVER	1
59	720444	SET PLATE	1
60	720457	HEX.SOC.HD.BOLT	4
61	720455	HEX.SOC.HD.BOLT	3
62	720443	DRIVER GUIDE COVER	1
63	720442	NOSE	1
64	720449	MAGAZINE	1
65	720401	NAIL GUIDE LINER	1
66	721053	LOCK NUT	1
67	720456	HEX.SOC.HD.BOLT	2
68	720431	BRACKET	1
69	720434	STOPPER	1
70	720435	PUSHER	1
71	720400	SLIDE BLOCK	2
72	7204551	SPRING	2
73	720473	ROLLED PIN	2
74	720448	MAGAZINE COVER	1
75	720477	UM.HD.BOLT	2
76	720432	LATCH	1
77	720421	COMPRESSION SPRING	1
78	720436	MAGAZINE REAR COVER	1
79	720437	STEP PIN	1
80	720330	LOCK NUT	2
81	720450	STABILIZER	1
82	720479	SET PLATE	7
83	720480	VALVE PLATE	1
84	720481	UM.HD.BOLT	2
85	720482	WAVE WASHER	2

** Denotes Wear Items
> Denotes Parts Change