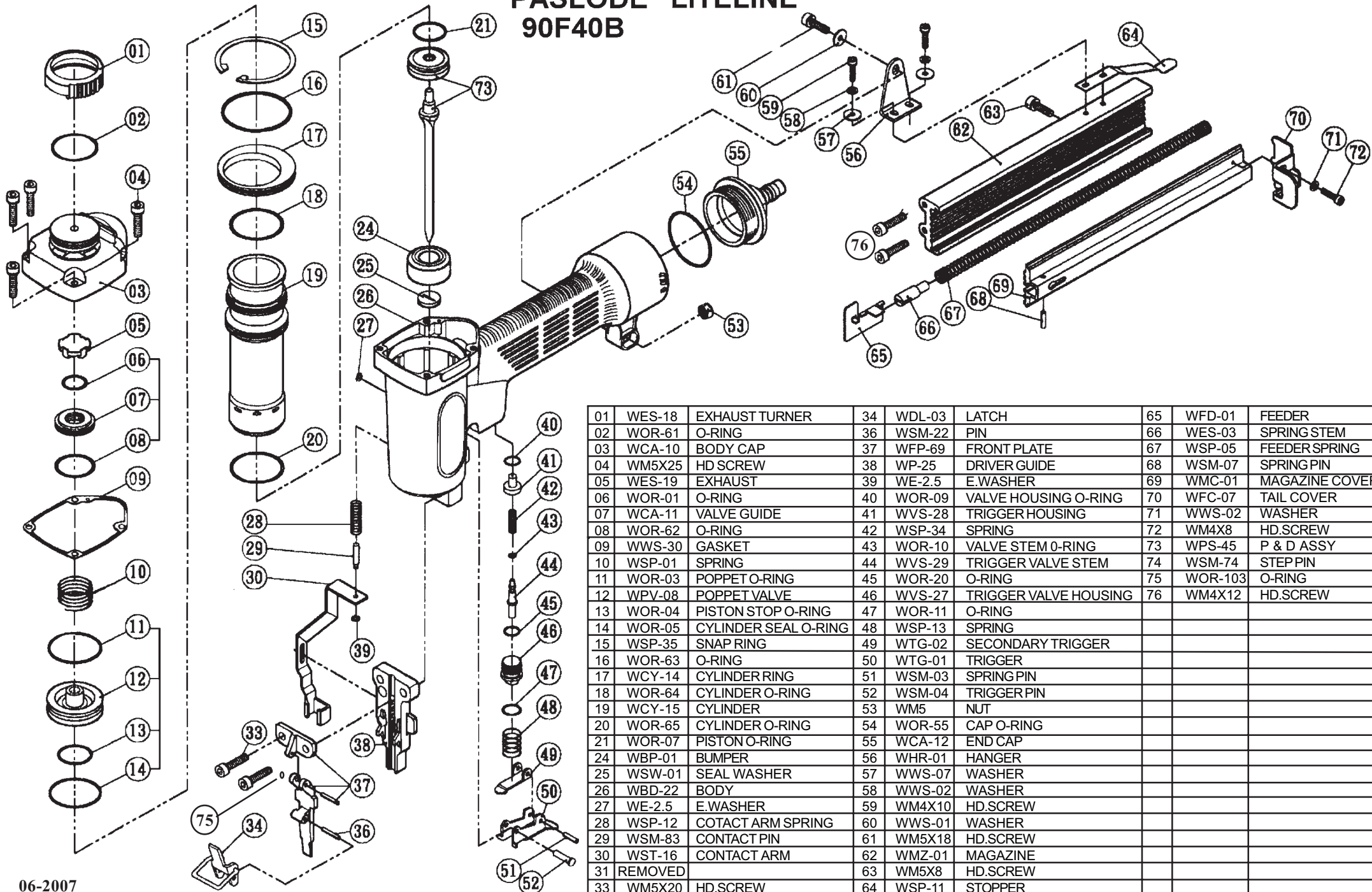


PASLODE LITELINE 90F40B



01	WES-18	EXHAUST TURNER	34	WDL-03	LATCH	65	WFD-01	FEEDER
02	WOR-61	O-RING	36	WSM-22	PIN	66	WES-03	SPRING STEM
03	WCA-10	BODY CAP	37	WFP-69	FRONT PLATE	67	WSP-05	FEEDER SPRING
04	WM5X25	HD SCREW	38	WP-25	DRIVER GUIDE	68	WSM-07	SPRING PIN
05	WES-19	EXHAUST	39	WE-2.5	E.WASHER	69	WMC-01	MAGAZINE COVER
06	WOR-01	O-RING	40	WOR-09	VALVE HOUSING O-RING	70	WFC-07	TAIL COVER
07	WCA-11	VALVE GUIDE	41	WVS-28	TRIGGER HOUSING	71	WWS-02	WASHER
08	WOR-62	O-RING	42	WSP-34	SPRING	72	WM4X8	HD.SCREW
09	WWS-30	GASKET	43	WOR-10	VALVE STEM O-RING	73	WPS-45	P & D ASSY
10	WSP-01	SPRING	44	WVS-29	TRIGGER VALVE STEM	74	WSM-74	STEP PIN
11	WOR-03	POPPET O-RING	45	WOR-20	O-RING	75	WOR-103	O-RING
12	WPV-08	POPPET VALVE	46	WVS-27	TRIGGER VALVE HOUSING	76	WM4X12	HD.SCREW
13	WOR-04	PISTON STOP O-RING	47	WOR-11	O-RING			
14	WOR-05	CYLINDER SEAL O-RING	48	WSP-13	SPRING			
15	WSP-35	SNAP RING	49	WTG-02	SECONDARY TRIGGER			
16	WOR-63	O-RING	50	WTG-01	TRIGGER			
17	WCY-14	CYLINDER RING	51	WSM-03	SPRING PIN			
18	WOR-64	CYLINDER O-RING	52	WSM-04	TRIGGER PIN			
19	WCY-15	CYLINDER	53	WM5	NUT			
20	WOR-65	CYLINDER O-RING	54	WOR-55	CAP O-RING			
21	WOR-07	PISTON O-RING	55	WCA-12	END CAP			
24	WBP-01	BUMPER	56	WHR-01	HANGER			
25	WSW-01	SEAL WASHER	57	WWS-07	WASHER			
26	WBD-22	BODY	58	WWS-02	WASHER			
27	WE-2.5	E.WASHER	59	WM4X10	HD.SCREW			
28	WSP-12	COTACT ARM SPRING	60	WWS-01	WASHER			
29	WSM-83	CONTACT PIN	61	WM5X18	HD.SCREW			
30	WST-16	CONTACT ARM	62	WMZ-01	MAGAZINE			
31	REMOVED		63	WM5X8	HD.SCREW			
33	WM5X20	HD.SCREW	64	WSP-11	STOPPER			