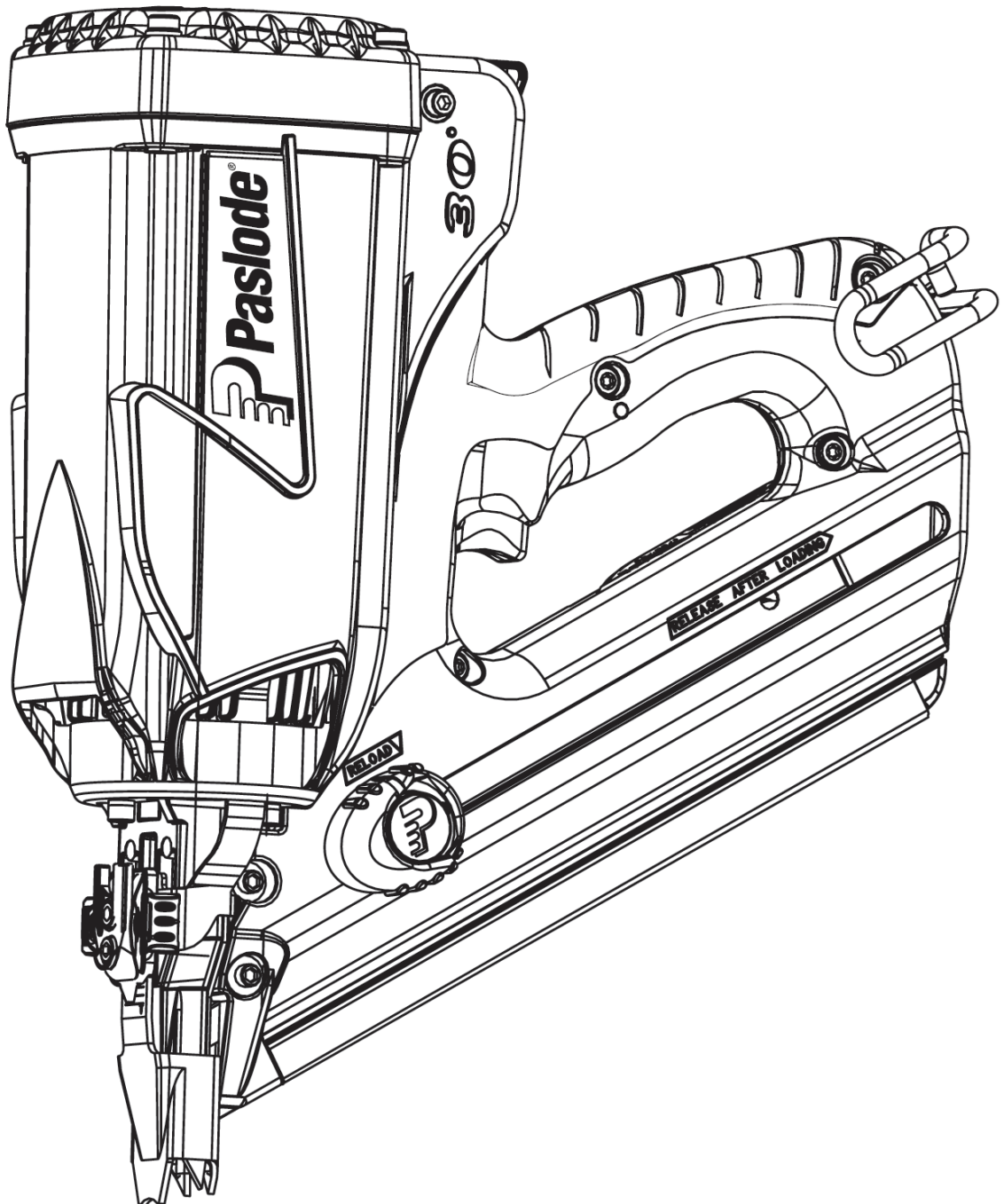




**IMPULSE
FRAMEMASTER Li
B2054P POWERVENT**

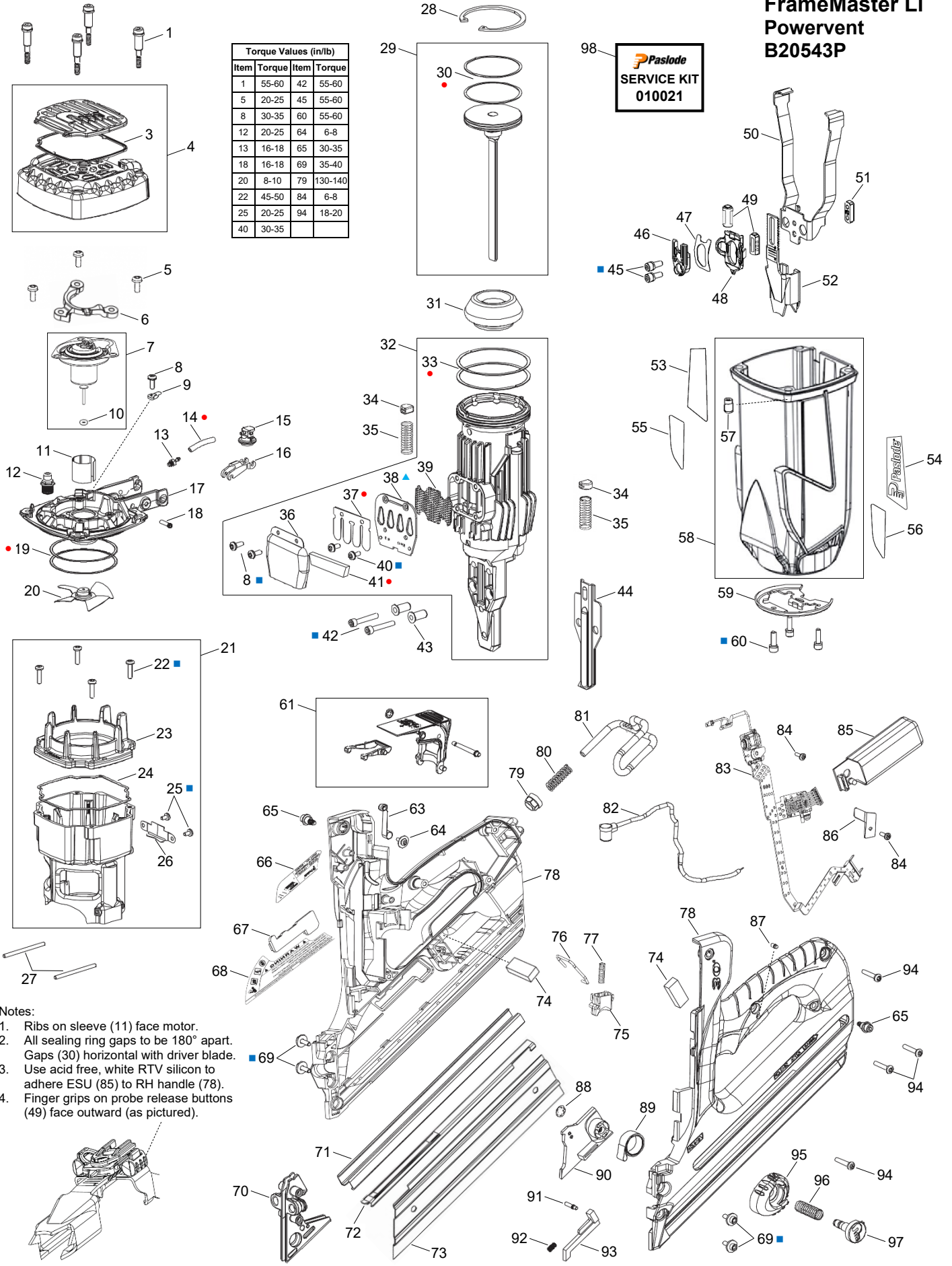


ILLUSTRATED PARTS LIST

FrameMaster Li Powervent B20543P

Torque Values (in/lb)			
Item	Torque	Item	Torque
1	55-60	42	55-60
5	20-25	45	55-60
8	30-35	60	55-60
12	20-25	64	6-8
13	16-18	65	30-35
18	16-18	69	35-40
20	8-10	79	130-140
22	45-50	84	6-8
25	20-25	94	18-20
40	30-35		

Paslode
SERVICE KIT
010021



- Notes:
1. Ribs on sleeve (11) face motor.
 2. All sealing ring gaps to be 180° apart. Gaps (30) horizontal with driver blade.
 3. Use acid free, white RTV silicon to adhere ESU (85) to RH handle (78).
 4. Finger grips on probe release buttons (49) face outward (as pictured).

- Service Kit Item
- Loctite® 242
- ▲ Permatex® Blue 81724

All parts sold as single items unless described as a pack, set etc, or forms part of an assembly (multiple items defined within a box). ie. A part with no item number is only available in an assembly.

PARTS LEGEND

PASLODE IM FRAMEMASTER Li - POWERVENT

B20543P

1	901063	4	Screw, 10-24 x 1-1/2	51	401380	1	Tie Bar
2	902285	NP	Grill, Black (RPLD BY 902208)	52	902225	1	Probe
* 3	900315	1	Filter	53	905608	1	Label, Paslode RH
4	902208	1	Cap & Grill Assembly (RPLS 902206, 902285)	54	905614	1	Label, Impulse RH
5	900902	3	Screw TF SEMS 8-32 x 5/8	55	905609	1	Label, Paslode LH
6	902637	1	Limiter	56	905615	1	Label, Impulse LH
7	902644	1	Motor Assembly, Fan	57	900546	4	Brass Insert
■ 8	900596	3	Screw TX SEMS 8-32 x 7/16	58	905603	1	Housing
9	404453	1	Clamp, Spark Wire Lead	59	902240	1	Ring, Sleeve-Housing Retainer
10	900468	1	Washer, Motor Shaft	■ 60	900593	3	Screw SHC SEMS 10-32 x 1/2
* 11	401356	1	Sleeve, Fan Motor	61	902295	1	Fuel Door Assembly (RPLS 902209, 902210, 902230, 902235)
12	900286	1	Spark Plug Assembly	→ 62		NP	Lever, Fuel Dosing (POA 902295)
13	904517	1	Fuel Barb	63	404448	1	Roller & Lever Assembly
● 14	904546	1	Fuel Tube (RPLS 902215, 902215A)	64	900597	1	Screw TF SEMS 6-19 x 3/8
15	902231	1	Fuel Block (RPLS 902215A)	65	901222	2	Screw 10-32 x 1/2
16	902211	1	Pivot Arm, Fuel Tube	→ 66		NP	Label, Data Plate (Discontinued)
17	902221	1	Cylinder Head	67	902607	1	Label, Li-ion+Fuel
18	902213	1	Pin, Fuel Arm Pivot	** 68	902608	1	Label, Warning
* ● 19	900935	2	Ring, Cylinder Head Seal	■ 69	900594	4	Screw SHC SEMS 8-32 x 1/2
20	403167	1	Fan Blade Assembly	→ 70	906405	1	Shear Block (RPLS 902262)
→ 21	906340	1	Combustion Chamber Assy (RPLS 902551)	71	905921	1	Channel, Magazine (Black) (RPLS 902216, 905637)
■ 22	900969	4	Screw TX 8-32 x 5/8	72	404436	1	Channel, Nail
→ 23	906339	1	Ring, Combustion Chamber (RPLS 902222)	73	902623	1	Cover Plate, Magazine
24	900481	1	Seal, Combustion Chamber	74	904571	2	Pad, Foam
■ 25	403987	2	Screw TF 6-32 X 1/4	75	404435	1	Trigger
* 26	404412	1	Wear Plate, Chamber Lockout	76	900269	1	Lock Bar, Chamber
27	404827	2	Pin	77	404927	1	Spring, Trigger
28	401328	1	Ring, Retaining Circlip	78	902606	1	Handle Set, RH/LH
* 29	404485	1	Driver & Piston Assembly	79	902227	1	Nut BH, Belt/Rafter Hook
* ● 30	401461	2	Ring, Piston	80	902238	1	Spring, Belt/Rafter Hook
* 31	905601	1	Bumper	81	902237	1	Hook, Belt/Rafter Hook
32	905623	1	Sleeve Assembly	82	900478	1	Spark Wire Lead Assembly
* ● 33	900934	2	Ring, Sleeve Seal	83	905628	1	Circuit Board Assembly (RPLS 902625)
34	404464	2	Stop, Rubber	84	404702	2	Screw, TF 6-32 X 3/8
35	404411	2	Spring	→ 85	906312	1	Electronic Spark Unit (ESU) (RPLS 902604)
36	404423	1	Cover, Muffler	86	900231	1	Retainer, Spark Wire Lead
● 37	404424	1	Reed Valve	87	900427	1	Light Pipe (LED Lens)
▲ 38	404425	1	Reed Plate	88	901202	1	Ring, Retaining
39	404426	1	Baffle, Exhaust	89	900520	1	Spring Assembly, Negator (RPLS 901415)
■ 40	900595	2	Screw TX SEMS 8-32 x 3/8	90	403985	1	Follower
● 41	404422	1	Muffler	91	403986	1	Pin, Negator
■ 42	403816	2	Screw SHC 10-24 x 1-1/8	92	404457	1	Spring
43	404445	2	Bush, Shear Block	93	404451	1	Lockout Bar, Follower
* 44	902249	1	Wear Plate (RPLS 902223)	94	900453	4	Screw TF TX 8-16 x 7/8
■ 45	900592	2	Screw SHC SEMS 10-32 x 1/2	95	902204	1	Guide, Follower
46	901241	1	Stop, Probe Adjustment	96	902239	1	Spring
47	901238	1	Spring, Leaf	97	902205	1	Button, Follower
48	902619	1	Release, Probe	98	010021	AR	Service Kit
49	902620	2	Button, Probe Release				
50	901249	1	Yoke				

* Normal Wear Items

** Ensure Warning Label is affixed and legible

● Included in Service Kit

■ Apply Loctite® 242 (Blue)

▲ Permatex® Ultra-Blue Gasket Sealant 81724

→ New Change

AR As Required

NP Non Procurable

POA Purchase on Assembly

**Remove fuel, battery & fasteners before commencing service.****Use eye and ear protection when operating/testing tools.****Use eye protection when cleaning tools.****Use degreaser in a well ventilated area.****WARNING: All parts must be periodically inspected and replaced if worn or damaged.
Failure to comply can affect the tool's operation and present a safety hazard.**

ACCESSORIES

Battery

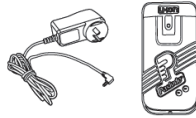
Part No. B20543A



Battery Charger system (Australia/New Zealand)

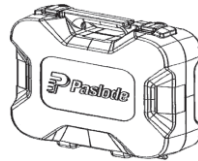
Battery Charger Kit (Shown)
Transformer
Charger Base

Part No. B20543B
Part No. B20543C
Part No. 902661



Carry Case

Part No. 905607
(RPLS 902609)



Replacement Latch
(Square Case 905607)

Part No. 219463

Replacement Latch
(Early Oval Case 902609)

Part No. 219233

Carry Bag

Paslode Pair Nylon (AU Only)

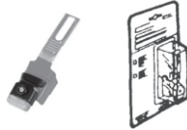
Part No. D80050A



No Mar Probe Assembly

Rubber tipped Probe to
eliminate marring work surface

Part No. B20544G



Replacement Rubber Tip

Part No. 403369

5/32" Hex Key

For servicing and clearing jams.

Part No. 401331



T7 Torx Key

For Fan grub screw

Commercially
available



Paslode Impulse

Lubricating Oil

Specially formulated for use in
Paslode® Impulse tools.

Part No. B20544F



Impulse Tool

Cleaner/Degreaser

Recommended cleaner for all
Paslode®

Part No. B20544L




www.paslode.com.au


www.paslode.co.nz

Change Notes

Revisions 0-5

Item	Part No.	Items/Description	Change	Action/Change Description
*11	902215A	Fuel Tube & Block Kit	Availability	Replaced by items 14 & 15. Introduced to upgrade B20540 & B20543 plastic Fuel Block to aluminium version. Not applicable to B20543P.
14	902215	Fuel Tube	Enhancement	Replaced by 904546 with greater wall thickness
21	902233	Combustion Chamber Assy	Manufacturing	Replaced by 902551
*31	902206	Cap, Black	Availability	POA ¹ 4, Cap Assembly, Black 902208.
43	404445	Bush, Shear Block	Enhancement	Greater Rockwell Hardness (2017 <1729/0428). No PN change.
44	902249	Wear Plate		Added clearance for bumper travel (2016 <1626). No PN change.
61	902295	Fuel Door Assembly	Availability	Fuel Door Assembly introduction.
71	902216	Magazine Channel	Design	Replaced by 905637, silver to black (Superseded).
	905637		Manufacturing	Replaced by 905921
83	902625	Circuit Board Assy	Manufacturing	Replaced by 905628
89	901415	Negator Spring Assembly		Replaced by 900520 (PN change to 901415 revoked. '900520' maintained for ANZ only).
*102	902626	Label, Battery On-Off	Availability	Added missing PN/illustration (Obsolete R.6).

¹POA - Purchase on Assembly

*Item numbering per previous revision

Revision 6

Item	Part No.	Items/Description	Change	Action/Change Description
*88	404407	Housing, Combustion Chamber	Availability	POA 21, Combustion Chamber Assembly 902551.
98	010021	Service Kit		Service Kit added to schematic.
*102	902626	Label, Battery On-Off	Design	Obsolete
	Various		Schematic	Added missing displayed parts. Defined available ANZ assemblies.
	Various	Parts/Notes	Parts Legend	Removed parts no longer available separately Added missing/new assembly PNs. Updated PN changes. Added Service Kit & Kit items. Adopted conventional naming. Adopted ANZ conventional safety symbols Updated Loctite® and item usage.
	Various	Accessories	Accessories	Defined available ANZ Accessories. Added Carry Case Latch PNs. Added replacement No Mar Rubber Tip PN

¹POA - Purchase on Assembly

*Item numbering per previous revision

Revision 7

Item	Part No.	Items/Description	Change	Action/Change Description
*14	902209	Fuel Door	Availability	POA ¹ 61, Fuel Door Assembly 902295
*15	902230	Fuel Door Pin		
*16	902235	Fuel Door Retaining Ring		
83	905628	Circuit Board Assy	Manufacturing	Introduction of sealed supply tracers (mid 2018). No PN change.
N/A	Various	Various	Schematic	Complete layout re-design & re-numbering for clarity Added ESU silicon note Defined available ANZ assemblies
N/A	Various	Parts/Notes	Parts Legend	Removed parts no longer available separately.

¹POA - Purchase on Assembly

*Item numbering per previous revision

Revision 8

Item	Part No.	Items/Description	Change	Action/Change Description
2	902285	Grill, Black	Availability	POA ¹ 4, Cap & Grill Assembly 902208
21	902551	Combustion Chamber Assy	Manufacturing	Replaced by 906340
23	902222	Ring, Combustion Chamber		Replaced by 906339
62	902210	Fuel Dosing Lever	Availability	POA 61, Fuel Door Assembly 902295
66	905616	Data Plate Label		Discontinued
70	902262	Shear Block	Manufacturing	Replaced by 906405. Re SL22-002
85	902604	Electronic Spark Unit (ESU)		Replaced by 906312 (extended run time ESU >25 constitutive shots). Re SL22-001
NL	902630	Electronic Spark Unit (ESU)		A small quantity of ANZ tools were manufactured with this EU equivalent ESU. PN 906312 also replaces 902630.
N/A	D80050A	Accessory	Availability	Added Nylon Paslode Pair Bag (AU Only).

¹POA - Purchase on Assembly