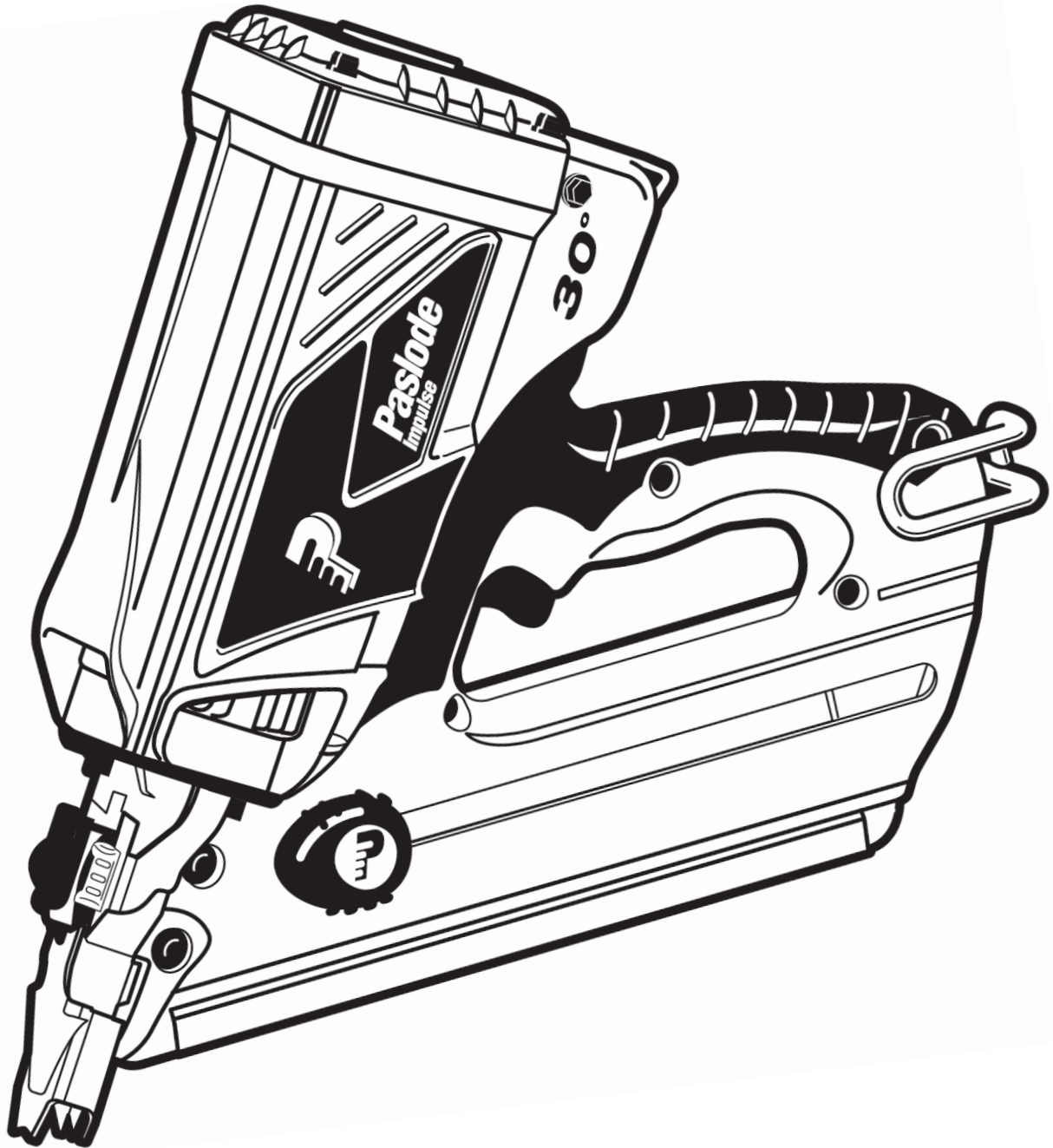




**IMPULSE
FRAMEMASTER LI
B20543**

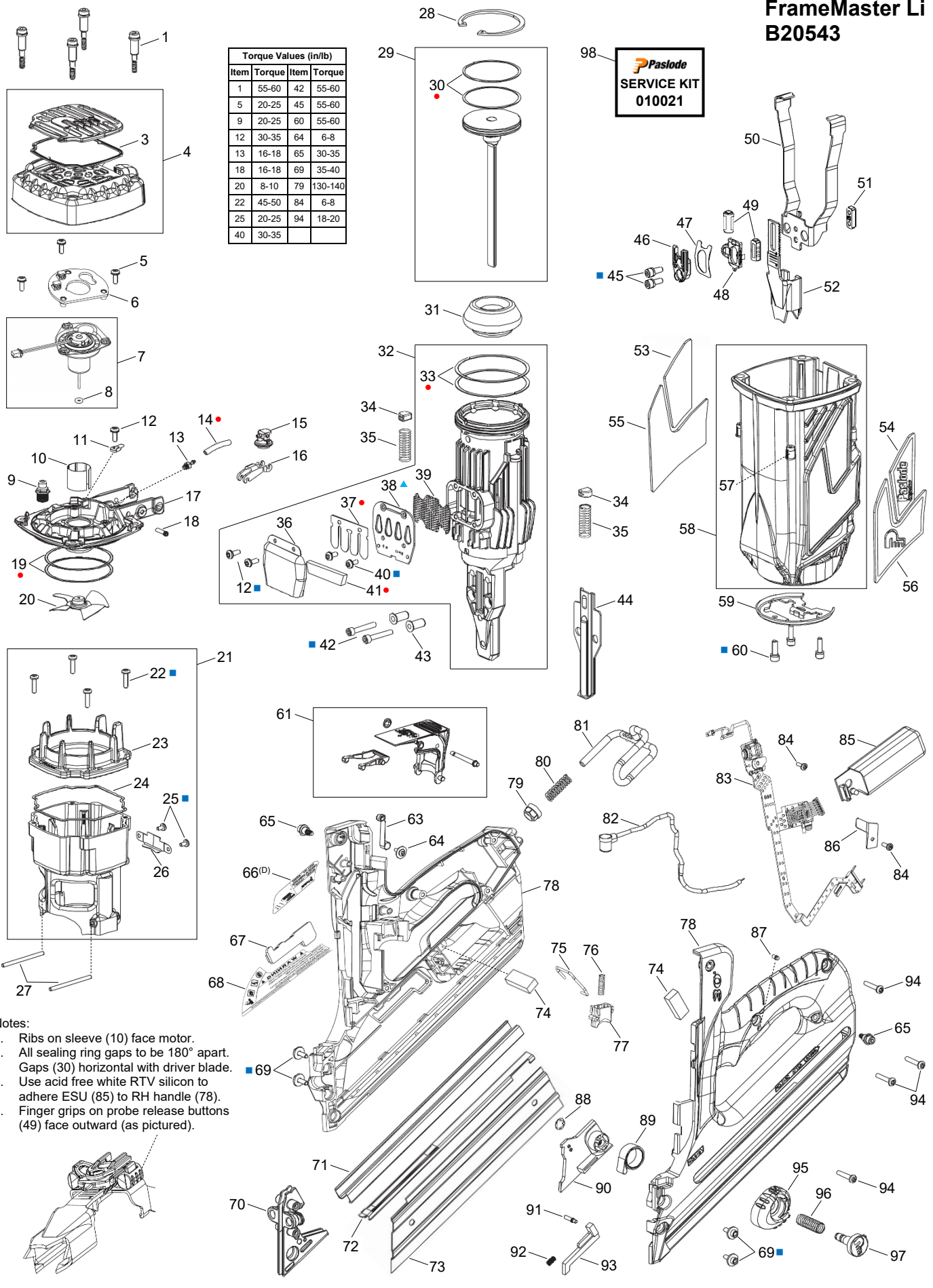


ILLUSTRATED PARTS LIST

FrameMaster Li B20543

Torque Values (in/lb)			
Item	Torque	Item	Torque
1	55-60	42	55-60
5	20-25	45	55-60
9	20-25	60	55-60
12	30-35	64	6-8
13	16-18	65	30-35
18	16-18	69	35-40
20	8-10	79	130-140
22	45-50	84	6-8
25	20-25	94	18-20
40	30-35		

Paslode
SERVICE KIT
010021



- Notes:
1. Ribs on sleeve (10) face motor.
 2. All sealing ring gaps to be 180° apart. Gaps (30) horizontal with driver blade.
 3. Use acid free white RTV silicon to adhere ESU (85) to RH handle (78).
 4. Finger grips on probe release buttons (49) face outward (as pictured).

- Service Kit Item
- Loctite® 242
- ▲ Permatex® Blue 81724

All parts sold as single items unless described as a pack, set etc, or forms part of an assembly (multiple items defined within a box). ie. A part with no item number is only available in an assembly.

PARTS LEGEND

PASLODE IM FRAMEMASTER Li

B20543

1	901063	4	Screw, 10-24 x 1-1/2	50	901249	1	Yoke
2		NP	Grill, Black (Purchase on Assy 902208)	51	401380	1	Tie Bar
3	900315	1	Filter	52	902225	1	Probe (RPLS 902269)
4	902208	1	Cap & Grill Assembly (Black) (RPLS 902283, 902285)	53	902267	1	Label, Paslode RH
5	900902	3	Screw TF SEMS 8-32 x 5/8	54	902265	1	Label, Paslode LH
6	901422	1	Circuit Board, Fan (RPLS 902638)	55	902266	1	Label, P Logo RH
7	901430	1	Motor Assembly, Fan	56	902264	1	Label, P Logo LH
8	900468	1	Washer, Motor Shaft	57	900546	4	Insert, Brass
9	900286	1	Spark Plug Assembly	58	902261	1	Housing
* 10	401356	1	Sleeve, Fan Motor	59	902240	1	Ring, Sleeve-Housing Retainer
11	404453	1	Clamp, Spark Wire Lead	■ 60	900593	3	Screw SHC SEMS 10-32 x 1/2
■ 12	900596	3	Screw TX SEMS 8-32 x 7/16	61	902295	1	Fuel Door Assembly (Black) (RPLS 902210, 902230, 902235, 902268, 902296)
13	904517	1	Fuel Barb	→ 62	902210	NP	Lever, Fuel Dosing (POA 902295)
● 14	904546	1	Fuel Tube (RPLS 902215, 902215A)	63	404448	1	Roller & Lever Assembly
15	902231	1	Fuel Block (RPLS 902212, 902215A)	64	900597	1	Screw TF SEMS 6-19 x 3/8
16	902211	1	Pivot Arm, Fuel Tube	65	901222	2	Screw 10-32 x 1/2
17	902221	1	Cylinder Head	66		NP	Deleted
18	902213	1	Pin, Fuel Arm Pivot	67	902607	1	Label, Li-ion+Fuel
* ● 19	900935	2	Ring, Cylinder Head Seal	** 68	902608	1	Label, Warning
20	403167	1	Fan Blade Assembly	■ 69	900594	4	Screw SHC SEMS 8-32 x 1/2
→ 21	906340	1	Combustion Chamber Assy (RPLS 902233, 902551)	→ 70	906405	1	Shear Block (RPLS 902250, 902262)
■ 22	900969	4	Screw TX 8-32 x 5/8	71	905921	1	Channel, Magazine (Black) (RPLS 902216, 905637)
→ 23	906339	1	Ring, Combustion Chamber (RPLS 902222)	72	404436	1	Channel, Nail
24	900481	1	Seal, Combustion Chamber	73	902623	1	Cover Plate, Magazine
■ 25	403987	2	Screw TF 6-32 x 1/4	74	904571	2	Pad, Foam (Universal)
* 26	404412	1	Wear Plate, Chamber Lockout	75	900269	1	Lock Bar, Chamber
27	404827	2	Pin	76	404927	1	Spring, Trigger
28	401328	1	Ring, Retaining Circlip	77	404435	1	Trigger
* 29	404485	1	Driver & Piston Assembly	78	902606	1	Handle Assy Set, RH/LH (RPLS 902617)
* ● 30	401461	2	Ring, Piston Seal	79	902227	1	Nut BH, Belt/Rafter Hook
* 31	404419	1	Bumper	80	902238	1	Spring, Belt/Rafter Hook
32	901204	1	Sleeve Assembly	81	902237	1	Hook, Belt/Rafter Hook
* ● 33	900934	2	Ring, Sleeve Seal	82	900478	1	Spark Wire Lead Assembly
34	404464	2	Stop, Rubber	83	905628	1	Circuit Board Assembly (RPLS 902625)
35	404411	2	Spring	84	404702	2	Screw TF 6-32 X 3/8
36	404423	1	Cover, Muffler	→ 85	906312	1	Electronic Spark Unit (ESU) (RPLS 902604)
* ● 37	404424	1	Reed Valve	86	900231	1	Retainer, Spark Wire Lead
▲ 38	404425	1	Reed Plate	87	900427	1	Light Pipe (LED Lens)
39	404426	1	Baffle, Exhaust	88	901202	1	Ring, Retaining
■ 40	900595	2	Screw TX SEMS 8-32 x 3/8	89	900520	1	Spring Assembly, Negator (RPLS 901415)
* ● 41	404422	1	Muffler	90	403985	1	Follower
■ 42	403816	2	Screw SHC 10-24 x 1-1/8	91	403986	1	Pin, Negator
43	404445	2	Bush, Shear Block	92	404457	1	Spring
* 44	902249	1	Wear Plate	93	404451	1	Lockout Bar, Follower
■ 45	900592	2	Screw SHC SEMS 10-32 x 1/2	94	900453	4	Screw TF TX 8-16 x 7/8
46	901241	1	Stop, Probe Adjustment	95	902204	1	Guide, Follower
47	901238	1	Spring, Leaf	96	902239	1	Spring
48	902619	1	Release, Probe	97	902205	1	Button, Follower
49	902620	2	Button, Probe Release	98	010021	AR	Service Kit

* Normal Wear Items

** Ensure Warning Label is affixed and legible

● Included in Service Kit

■ Apply Loctite® 242 (Blue)

▲ Permatex® Ultra-Blue Gasket Sealant 81724

→ New Change

AR As Required

NP Non Procurable

POA Purchase on Assembly

**Remove fuel, battery & fasteners before commencing service.****Use eye and ear protection when operating/testing tools.****Use eye protection when cleaning tools.****Use degreaser in a well ventilated area.****WARNING: All parts must be periodically inspected and replaced if worn or damaged.****Failure to comply can affect the tool's operation and present a safety hazard.**

ACCESSORIES

Battery

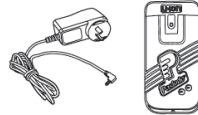
Part No. B20543A



Battery Charger system (Australia/New Zealand)

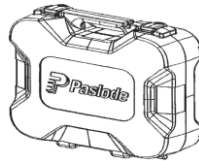
Battery Charger Kit (Shown)
Transformer
Charger Base

Part No. B20543B
Part No. B20543C
Part No. 902661



Carry Case

Part No. 905607
(RPLS 902609)



Replacement Latch
(Square Case 905607)

Part No. 219463

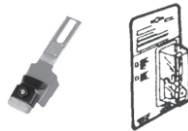
Replacement Latch
(Early Oval Case 902609)

Part No. 219233

No Mar Probe Assembly

Rubber tipped Probe to
eliminate marring work surface

Part No. B20544G



Replacement Rubber Tip

Part No. 403369

5/32" Hex Key

For servicing and clearing jams.

Part No. 401331



T7 Torx Key

For Fan grub screw

Commercially
available



Paslode Impulse Lubricating Oil

Specially formulated for use in
Paslode® Impulse tools.

Part No. B20544F



Impulse Tool Cleaner/Degreaser

Recommended cleaner for all
Paslode®

Part No. B20544L



Change Notes

Revision 1

Item	Part No.	Items/Description	Change	Action/Change Description
6	901422	Fan Circuit Board	Enhancement	Replaced by 902638, with circuit protection resistor (Superceded R2).
14	902215	Fuel Tube		Replaced by 904546, with greater wall thickness.
15	902212	Fuel Block		Replaced by 902231, plastic to cast aluminium
N/A	902215A	Fuel Tube & Block Kit	Availability	Introduced to upgrade B20540 & B20543 plastic Fuel Block to aluminium version. Replaced by items 14 & 15. Upgrade campaign concluded 2017.
21	902233	Combustion Chamber Assy	Manufacturing	Replaced by 902551
43	404445	Bush, Shear Block	Design	Greater Rockwell Hardness. No PN change. Requirement for B20543P.
44	902249	Wear Plate		Added clearance for bumper travel. No PN change. Requirement for B20543P.
52	902269	Probe	Manufacturing	Replaced by 902225
*62	902230	Pin, Fuel Door	Availability	POA ¹ 61, Fuel Door Assembly 902296 (Superceded R2)
*64	902235	Ring, Retaining, Fuel Door		
Note	902268	Fuel Door		
66	902287	Data Plate Label		
70	902250	Shear Block	Manufacturing	Replaced by 902262
71	902216	Magazine Channel	Design	Replaced by 905637, silver to black (Superceded).
	905637	Magazine Channel	Manufacturing	Replaced by 905921
83	902625	Circuit Board Assy		Replaced by 905628
	905628			Introduction of sealed supply tracers (mid 2018). No PN change.
89	901415	Negator Assembly		Replaced by 900520 (PN change to 901415 revoked; '900520' maintained for ANZ only).
98	010021	Service Kit	Availability	Added to schematic
N/A	902609	Carry Case	Design	Replaced by 905607
N/A	Various	Assemblies/Flag Notes	Schematic	Complete layout re-design & re-numbering for clarity Defined available ANZ assemblies Added Service Kit & Kit item flags Added Loctite® flags
N/A	Various	Parts/Notes	Parts Legend	Removed parts no longer available separately Added Service Kit & Kit item flags Updated PN changes Adopted conventional naming Adopted ANZ conventional safety symbols Updated Loctite® and item usage Added Loctite® and Permatex® flags
N/A	Various	Accessories	Accessories	Defined available ANZ Accessories - Updated Carry Case PN & added Latch PNs. - Added replacement No Mar Rubber Tip PN

¹ POA - Purchase on Assembly

*Item numbering per previous revision

Revision 2

Item	Part No.	Items/Description	Change	Action/Change Description
2	902285	Grill	Availability	POA ¹ 4, Cap & Grill Assembly (Black) 902208
4	902283	Cap & Grill Assembly (Orange)		Replaced by 902208, Cap & Grill Assembly (Black)
6	902638	Fan Circuit Board	Design	Replaced by 901422 (reverted). Original configuration compatible with latest ECU revisions. Note that Kit part number 219468 has not change as a result.
21	902551	Combustion Chamber Assy	Manufacturing	Replaced by 906340
23	902222	Ring, Combustion Chamber		Replaced by 906339
61	902296	Fuel Door Assembly (Orange)	Availability	Replaced by 902295, Fuel Door Assembly (Black)
62	902210	Fuel Dosing Lever		POA 61, Fuel Door Assembly 902295
70	902262	Shear Block		Replaced by 906405. Re SL22-002
85	902604	Electronic Spark Unit (ESU)		Replaced by 906312 (extended run time ESU >25 constitutive shots). Re SL22-001

¹ POA - Purchase on Assembly