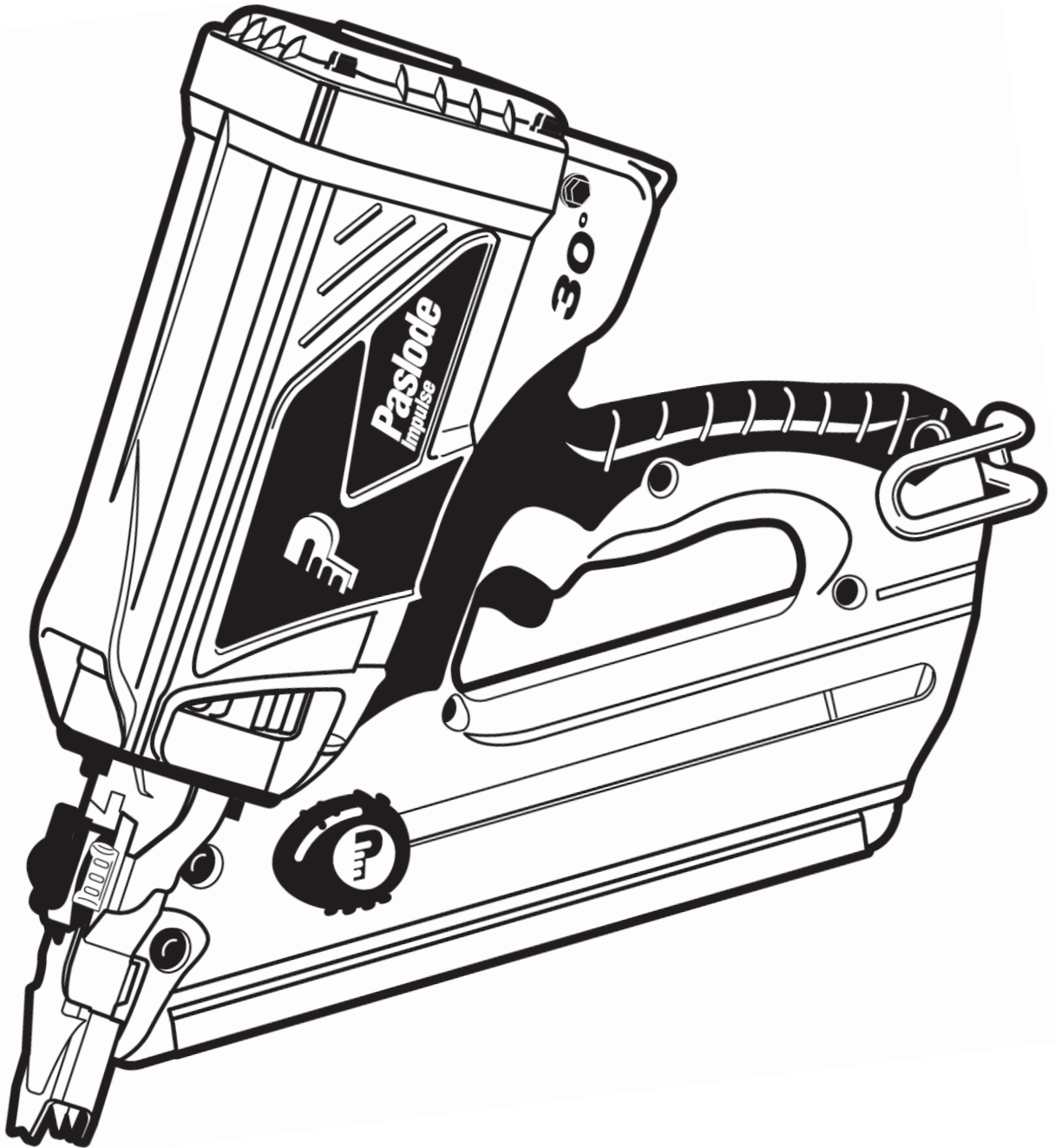


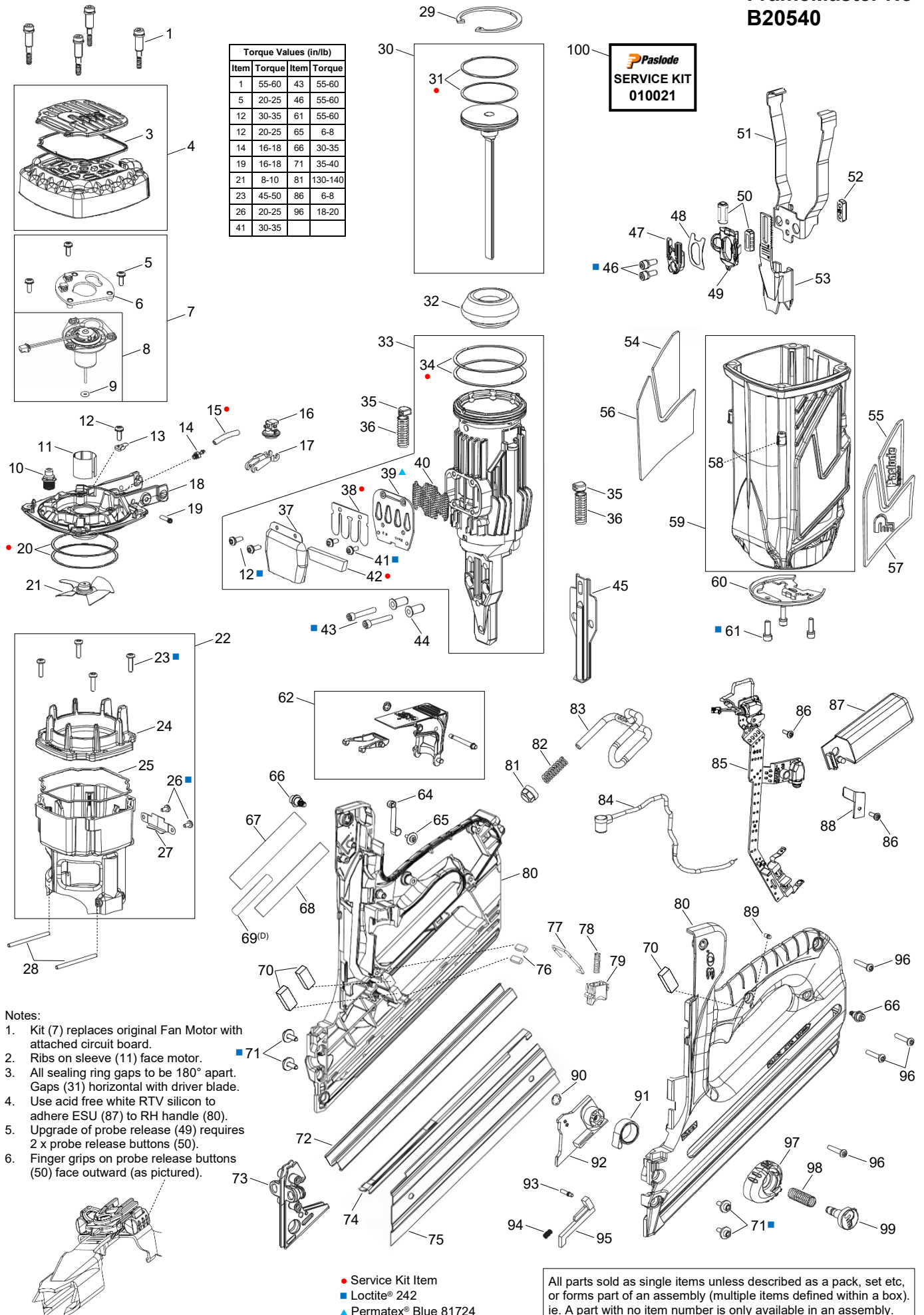


**IMPULSE
FRAMEMASTER Nc
B20540**



ILLUSTRATED PARTS LIST

FrameMaster Nc B20540



PARTS LEGEND

PASLODE IMPULSE FRAMEMASTER Nc

B20540

1	901063	4	Screw, 10-24 x 1-1/2	50	902620	2	Button, Probe Release
2		NP	Grill, Black (Purchase on Assy 902208)	51	901249	1	Yoke
* 3	900315	1	Filter	52	401380	1	Tie Bar
4	902208	1	Cap & Grill Assembly (Black) (RPLS 902206, 902207, 902283, 902284, 902285)	53	902225	1	Probe (RPLS 902269)
5	900902	3	Screw TF SEMS 8-32 x 5/8 (RPLS 900596 x 3)	54	902267	1	Label, Paslode RH
6	901422	1	Circuit Board, Fan (RPLS 902638)	55	902265	1	Label, Paslode LH
7	219468	1	Motor Assembly Kit, Fan (RPLS 401355, 900469, 900470, 219430)	56	902266	1	Label, P Logo RH
8	900573	1	Motor Assembly, Fan	57	902264	1	Label, P Logo LH
9	900468	1	Washer, Motor Shaft	58	900546	4	Insert, Brass
10	900286	1	Spark Plug Assembly	59	902261	1	Housing
* 11	401356	1	Sleeve, Fan Motor	60	902240	1	Ring, Sleeve-Housing Retainer
■ 12	900596	3	Screw TX SEMS 8-32 x 7/16	■ 61	900593	3	Screw SHC SEMS 10-32 x 1/2
13	404453	1	Clamp, Spark Wire Lead	62	902295	1	Fuel Door Assembly (Black) (RPLS 902210, 902230, 902235, 902268, 902296)
14	904517	1	Fuel Barb (RPLS 902214)	63		NP	Lever, Fuel Dosing (POA 902295)
● 15	904546	1	Fuel Tube (RPLS 902215, 902215A)	64	404448	1	Roller & Lever Assembly
16	902231	1	Fuel Block (RPLS 902212, 902215A)	65	900597	1	Screw TF SEMS 6-19 x 3/8
17	902211	1	Pivot Arm, Fuel Tube	66	901222	2	Screw SHC 10-32 x 1/2
18	902221	1	Cylinder Head	** 67	900497	1	Label, Warning
19	902213	1	Pin, Fuel Arm Pivot	** 68	900508	1	Label, Warning (International)
* ● 20	900935	2	Ring, Cylinder Head Seal	69		NP	Deleted
21	403167	1	Fan Blade Assembly	70	401450	3	Pad, Foam (Universal)
→ 22	906340	1	Combustion Chamber Assy (RPLS 902233, 902551)	■ 71	900594	4	Screw SHC SEMS 8-32 x 1/2
■ 23	900969	4	Screw TX 8-32 x 5/8	72	905921	1	Channel, Magazine (Black) (RPLS 902216, 905637)
→ 24	906339	1	Ring, Combustion Chamber (RPLS 902222)	→ 73	906405	1	Shear Block (RPLS 902250, 902262)
25	900481	1	Seal, Combustion Chamber	74	404436	1	Channel, Nail
■ 26	403987	2	Screw TF 6-32 x 1/4	75	404441	1	Cover Plate, Magazine
* 27	404412	1	Wear Plate, Chamber Lock	76	404922	2	Pad, Foam (Battery)
28	404827	2	Pin	77	900269	1	Lock Bar, Chamber
29	401328	1	Ring, Retaining Circlip	78	404927	1	Spring, Trigger
* 30	404485	1	Driver & Piston Assembly	79	404435	1	Trigger
* ● 31	401461	2	Ring, Piston Seal	80	902226	1	Handle Assembly Kit, RH/LH
* 32	404419	1	Bumper	81	902227	1	Nut BH, Belt/Rafter Hook
33	901204	1	Sleeve Assembly	82	902238	1	Spring, Belt/Rafter Hook
* ● 34	900934	2	Ring, Sleeve Seal	83	902237	1	Hook, Belt/Rafter Hook
35	404464	2	Stop, Rubber	84	900478	1	Spark Wire Lead Assembly
36	404411	2	Spring	85	900475V	1	Circuit Board Assembly (RPLS 900475)
37	404423	1	Cover, Muffler	86	404702	2	Screw TF 6-32 X 3/8
* ● 38	404424	1	Reed Valve	87	900474	1	Electronic Spark Unit (ESU)
▲ 39	404425	1	Reed Plate	88	900231	1	Retainer, Spark Wire Lead
40	404426	1	Baffle, Exhaust	89	900427	1	Light Pipe (LED Lens)
41	900595	2	Screw TX SEMS 8-32 x 3/8	90	901202	1	Ring, Retaining
* ● 42	404422	1	Muffler	91	900520	1	Spring Assembly, Negator
■ 43	403816	2	Screw SHC 10-24 x 1-1/8	92	403985	1	Follower
44	404445	2	Bush, Shear Block	93	403986	1	Pin, Negator
45	902249	1	Wear Plate, Nose	94	404457	1	Spring
■ 46	900592	2	Screw SHC SEMS 10-32 x 1/2	95	404451	1	Lockout Bar, Follower
* 47	901241	1	Stop, Probe Adjustment	96	900453	4	Screw TF TX 8-16 x 7/8
48	901238	1	Spring, Leaf	97	902204	1	Guide, Follower
49	902619	1	Release, Probe (RPLS 901240)	98	902239	1	Spring
				99	902205	1	Button, Follower
				100	010021		AR Service Kit

* Normal Wear Items

** Ensure Warning Label is affixed and legible

● Included in Service Kit

■ Apply Loctite® 242 (Blue)

▲ Permatex® Ultra-Blue Gasket Sealant 81724

→ New Change

AR As Required

NP Non Procurable

POA Purchase on Assembly

Remove fuel, battery & fasteners before commencing service.**Use eye and ear protection when operating/testing tools.****Use eye protection when cleaning tools.****Use degreaser in a well ventilated area.**

**WARNING: All parts must be periodically inspected and replaced if worn or damaged.
Failure to comply can affect the tool's operation and present a safety hazard.**

ACCESSORIES

Battery

Part No. B20544E



Battery Charger system

(Australia/New Zealand)

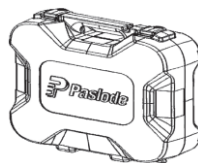
Battery Charger Kit (Shown)
Transformer
Charger Base

Part No. B20544B
Part No. B20544C
Part No. B20544D



Carry Case

Part No. 905607
(RPLS 404710, 902609)



Replacement Latch
(Square Case 905607)

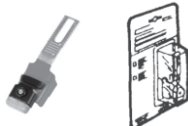
Part No. 219463

Replacement Latch
(Early Oval Case 902609)

Part No. 219233

No Mar Probe Assembly

Rubber tipped Probe to eliminate marring work surface



Replacement Rubber Tip

Part No. B20544G

Part No. 403369

5/32" Hex Key

For servicing and clearing jams.

Part No. 401331



T7 Torx Key

For Fan grub screw

Commercially available



Paslode Impulse

Lubricating Oil

Specially formulated for use in Paslode® Impulse tools.

Part No. B20544F



Impulse Tool

Cleaner/Degreaser

Recommended cleaner for all Paslode®

Part No. B20544L




www.paslode.com.au


www.paslode.co.nz

Change Notes

Revision 1

Item	Part No.	Items/Description	Change	Action/Change Description
2	902207	Grill, Orange	Design	Replaced by black Grill 902285 (Superceded R2).
Note	902284	Cap	Availability	Replaced by Cap & Grill Assy 902283 (with black Grill) (Superceded R2).
*6	900596	Screw 7/16 (x3)	Design	Replaced by item 7, integrated Fan Motor and Mount Assembly Kit 219430 (Superceded).
*8	900469	Fan Motor Assembly Kit		
*9	900470	Motor Mount		
*11	401355	Retaining Ring (Curved)		
7	219430	Fan Motor Assembly Kit	Enhancement	Replaced by 219468 (Circuit Board 902638 upgrade).
6	901422	Fan Circuit Board	Design	Introduced to replace the circuit board integrated with the Fan Motor (Superceded).
			Enhancement	Replaced by 902638 (incorporates circuit resistor) (Superceded R2)
8	900573	Fan Motor Assembly	Availability	PN added to provide availability for tools previously incorporated with Kit 219430 or 219468.
14	902214	Fuel Barb	Manufacturing	Replaced by 904517
15	902215	Fuel Tube	Design	Replaced by 904546 with greater wall thickness
16	902212	Fuel Block		Replaced by 902231, plastic to cast aluminium
N/A	902215A	Fuel Tube & Block Kit	Availability	Introduced to upgrade B20540 & B20543 plastic Fuel Block to a cast aluminium version. Replaced by items 15 & 16. Upgrade campaign concluded 2017
22	902233	Combustion Chamber Assy	Manufacturing	Replaced by 902551
44	404445	Bush, Shear Block	Enhancement	Greater Rockwell Hardness. No PN change. Requirement for B20543P only
45	902249	Nose Wear Plate	Design	Added clearance for bumper travel. No PN change. Requirement for B20543P only
49	901240	Probe Release	Enhancement	Replaced by 902619
50	902620	Button, Probe Release		New
53	902269	Probe	Manufacturing	Replaced by 902225
*62	902230	Pin, Fuel Door	Availability	POA ¹ 62, Fuel Door Assembly 902296 (Superceded R2)
*64	902235	Ring, Retaining, Fuel Door		
*63	902268	Fuel Door		
69	902287	Data Plate Label		
73	902250	Shear Block	Design	Replaced by 902262
72	902216	Magazine Channel		Replaced by 905637, silver to black (Superceded).
	905637	Magazine Channel		Replaced by 905921
85	900475	Circuit Board Assy	Manufacturing	Replaced by 900475V (PN change revoked; 'V' maintained for ANZ only).
100	010021	Service Kit	Availability	Added to schematic
Acc.	B20544H	12V Car Adaptor		Discontinued
Acc.	404710	Carry Case	Design	Replaced by 905607
N/A	Various	Assemblies/Flag Notes	Schematic	Complete layout re-design & re-numbering for clarity Defined available ANZ assemblies Added Service Kit & Kit item flags Added Loctite® flags
N/A	Various	Parts/Notes	Parts Legend	Removed parts no longer available separately Added Service Kit & Kit item flags Updated PN changes Adopted conventional naming Adopted ANZ conventional safety symbols Updated Loctite® and item usage Added Loctite® and Permatex® flags
N/A	Various	Accessories	Accessories	Defined available ANZ Accessories - Deleted 12V Power Adaptor B20544H - Updated Carry Case PN & added Latch PNs

¹POA - Purchase on Assembly

*Item numbering per previous revision

Revision 2

Item	Part No.	Items/Description	Change	Action/Change Description
2	902285	Grill	Availability	POA ¹ 4, Cap & Grill Assembly (Black) 902208
4	902283	Cap & Grill Assembly (Orange)	Design	Replaced by 902208, Cap & Grill Assembly (Black)
6	902638	Fan Circuit Board	Manufacturing	Replaced by 901422 (reverted). Original configuration compatible with latest ECU revisions. Note that Kit part number 219468 has not change as a result.
22	902551	Combustion Chamber Assy		Replaced by 906340
24	902222	Ring, Combustion Chamber		Replaced by 906339
62	902296	Fuel Door Assembly (Orange)	Design	Replaced by 902295, Fuel Door Assembly (Black)
63	902210	Fuel Dosing Lever	Availability	POA 62, Fuel Door Assembly 902295
73	902262	Shear Block		Replaced by 906405. Re SL22-002

¹POA - Purchase on Assembly