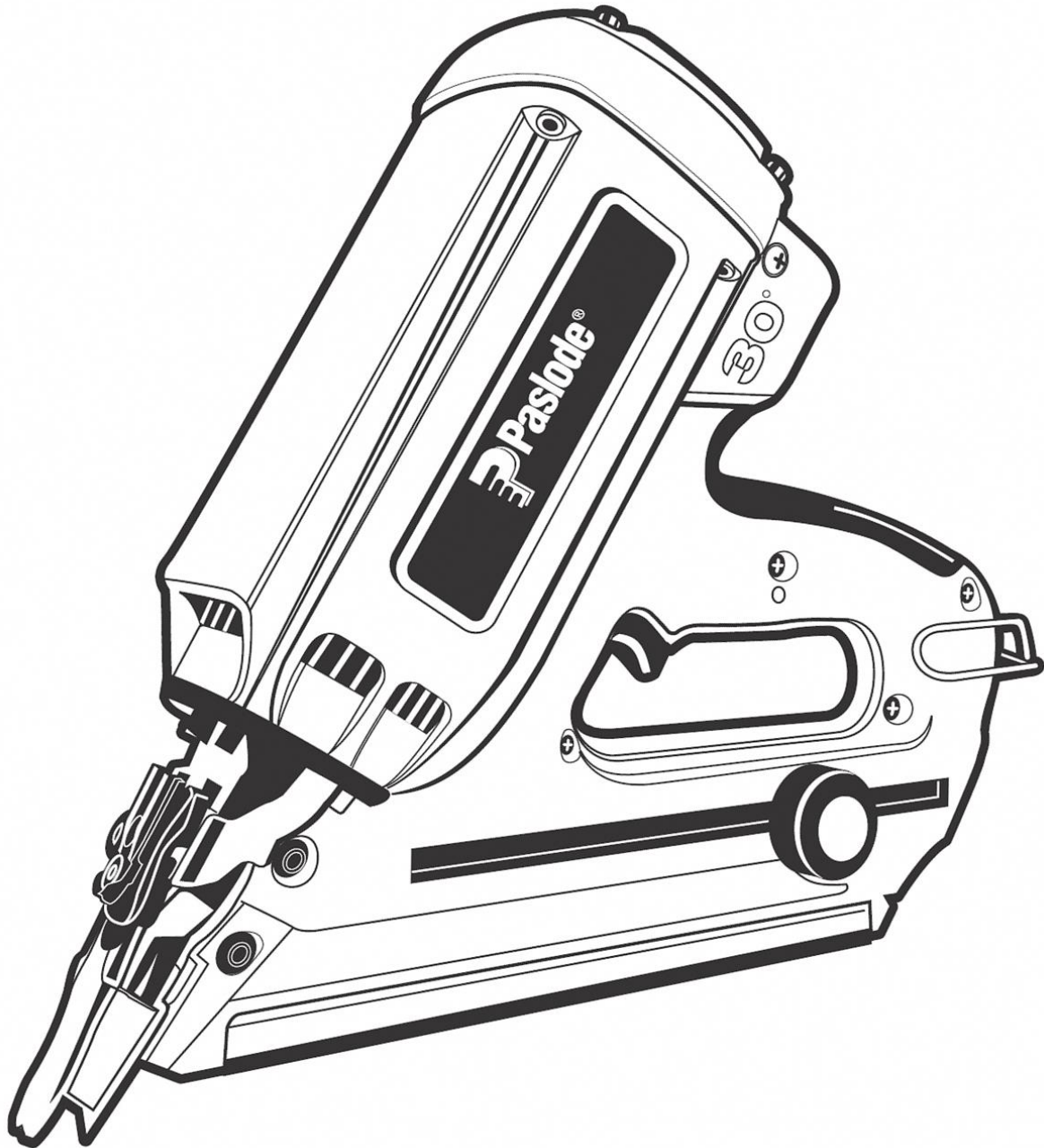




**IMPULSE ENHANCED  
FRAMING NAILER Nc  
B20544 MK2 900420**



---

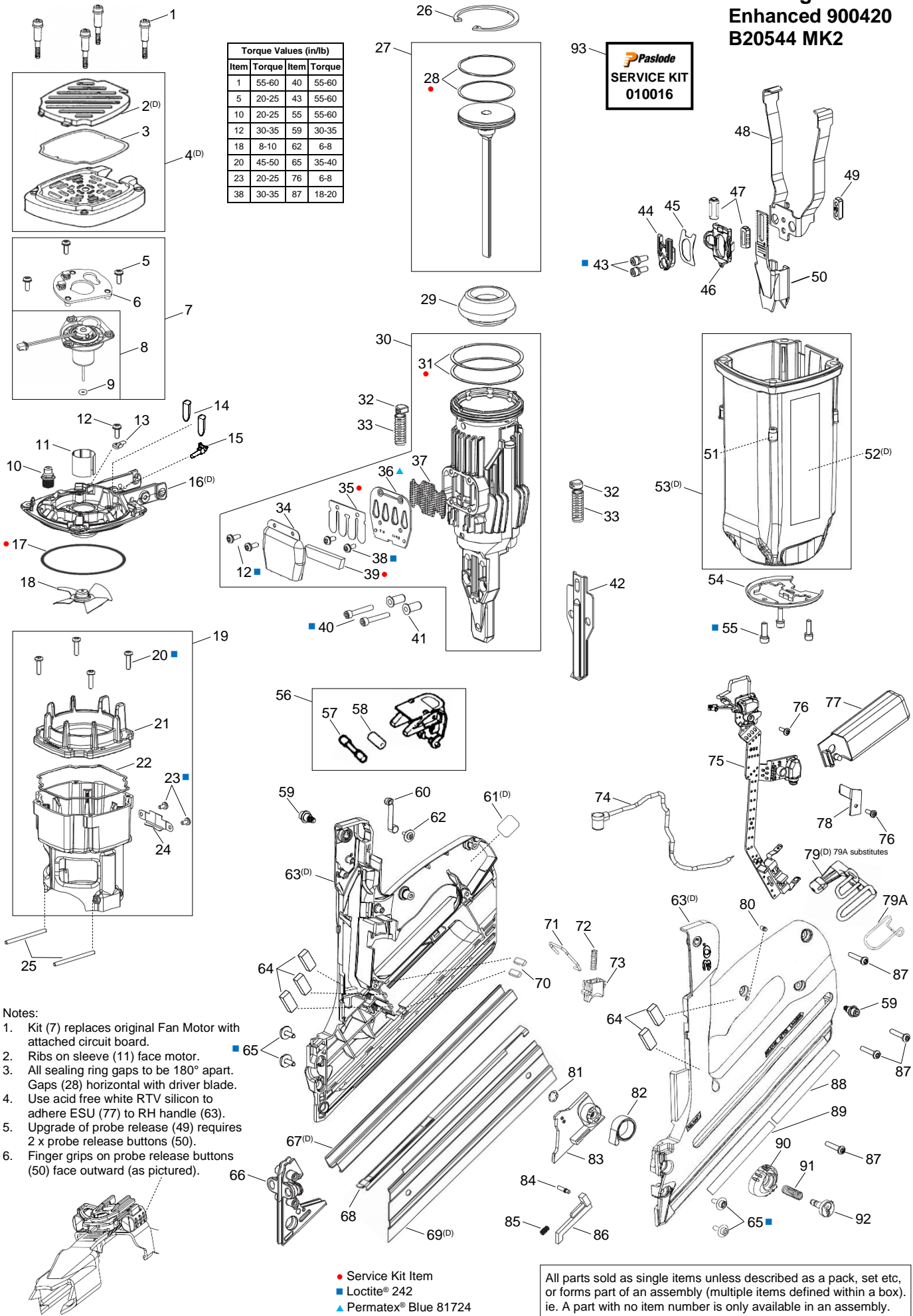
**ILLUSTRATED PARTS LIST**

---

# Framing Nailer Nc Enhanced 900420 B20544 MK2

**Paslode**  
**SERVICE KIT**  
**010016**

Torque Values (in/lb)			
Item	Torque	Item	Torque
1	55-60	40	55-60
5	20-25	43	55-60
10	20-25	55	55-60
12	30-35	59	30-35
18	8-10	62	6-8
20	45-50	65	35-40
23	20-25	76	6-8
38	30-35	87	18-20



**Notes:**

1. Kit (7) replaces original Fan Motor with attached circuit board.
2. Ribs on sleeve (11) face motor.
3. All sealing ring gaps to be 180° apart. Gaps (28) horizontal with driver blade.
4. Use acid free white RTV silicon to adhere ESU (77) to RH handle (63).
5. Upgrade of probe release (49) requires 2 x probe release buttons (50).
6. Finger grips on probe release buttons (50) face outward (as pictured).

- Service Kit Item
- Loctite® 242
- ▲ Permatex® Blue 81724

All parts sold as single items unless described as a pack, set etc, or forms part of an assembly (multiple items defined within a box). ie. A part with no item number is only available in an assembly.

## PARTS LEGEND

## PASLODE IMPULSE FRAMING NAILER Nc

## 900420 ENHANCED/B20544 MK2

1	901063	4	Screw, Shoulder SHC 10-24 x 1-1/2	47	902620	2	Button, Probe Release
2			NP Grill (Discontinued)	48	901249	1	Yoke (RPLS 404410)
* 3	900315	1	Filter	49	401380	1	Tie Bar
4			NP Cap & Grill Assembly (Discontinued) (RPLS 900959)	50	902225	1	Probe (RPLS 404413, 900982, 901239, 902269)
5	900902	3	Screw TF SEMS 8-32 x 5/8 (RPLS 404722, 006562, 900596 x 3)	51	900546	4	Insert, Brass
→ 6	901422	1	Circuit Board, Fan (RPLS 902638)	52			NP Label, Housing (Discontinued)
7	219468	1	Motor Assembly Kit, Fan (RPLS 401355, 900300, 900469, 900470, 219430)	53			NP Housing Assembly (Discontinued)
8	900573	1	Motor Assembly, Fan	54	902240	1	Ring, Retaining (Sleeve) (RPLS 900980)
9	900468	1	Washer, Motor Shaft	■ 55	900593	3	Screw SHC SEMS 10-32 x 1/2
10	900286	1	Spark Plug Assembly	56	900966	1	Fuel Door/Actuator Assembly
* 11	401356	1	Sleeve, Fan Motor	57	404433	1	Pin, Fuel Door/Actuator
■ 12	900596	3	Screw TX SEMS 8-32 x 7/16	58	404432	1	Bush, Fuel Door/Actuator
13	404453	1	Clamp, Spark Wire Lead	59	901222	2	Screw SHC 10-32 x 1/2
14	404428	2	Push Rod	60	404448	1	Roller & Lever Assembly
15	401340	1	Stem Adaptor (Red)	61			NP Label, Data Plate (Discontinued)
16			NP Cylinder Head (Discontinued)	62	900597	1	Screw TF SEMS 6-19 x 3/8
* ● 17	403992	1	O-Ring, Cylinder Head	63			NP Handle Assy Kit, RH/LH (Discontinued)
18	403167	1	Fan Blade Assembly	64	401450	5	Pad, Foam (Universal)
19	900521	1	Combustion Chamber Assembly	■ 65	900594	4	Screw SHC SEMS 8-32 x 1/2
■ 20	900969	4	Screw TX 8-32 x 5/8	66	901203	1	Shear Block
21	900372	1	Ring, Combustion Chamber	67			NP Channel, Magazine (Discontinued)
22	900481	1	Seal, Combustion Chamber	68	404436	1	Channel, Nail
■ 23	403987	2	Screw TF 6-32 x 1/4	→ 69			NP Cover Plate, Magazine (Discontinued)
* 24	404412	1	Wear Plate, Chamber Lockout	70	404922	2	Pad, Battery Contact (Foam)
25	404827	2	Pin	71	900269	1	Lockout Bar, Chamber
26	401328	1	Ring, Retaining Circlip	72	404927	1	Spring, Trigger
* 27	404485	1	Driver & Piston Assembly	73	404435	1	Trigger
* ● 28	401461	2	Ring, Piston Seal	74	900478	1	Spark Wire Lead Assembly
* 29	404419	1	Bumper	75	900475V	1	Circuit Board Assembly (RPLS 900475)
30	901204	1	Sleeve Assembly (RPLS 404719)	76	404702	2	Screw PH TF 6-32 X 3/8
* ● 31	900934	2	Ring, Sleeve Seal (RPLS 404482)	77	900474	1	Electronic Spark Unit (ESU)
32	404464	2	Stop, Rubber	78	900231	1	Retainer, Spark Wire Lead
33	404411	2	Spring	→ 79			NP Hook, Belt/Rafter (Discontinued)
34	404423	1	Cover, Muffler	→ 79A	900289	1	Hook, Belt (Substitute)
* ● 35	404424	1	Reed Valve	80	900427	1	Light Pipe (LED Lens)
▲ 36	404425	1	Reed Plate	81	901202	1	Ring, Retaining (RPLS 900529)
37	404426	1	Baffle, Exhaust	82	900520	1	Spring & Bush Assembly, Negator (RPLS 403981, 404443 & 901415)
■ 38	900595	2	Screw TX SEMS 8-32 x 3/8	83	403985	1	Follower
* ● 39	404422	1	Muffler	84	403986	1	Pin, Negator Spring
■ 40	403816	2	Screw SHC 10-24 x 1-1/8	85	404457	1	Spring, Lockout Bar
41	404445	2	Bush, Shear Block	86	404451	1	Lockout Bar, Follower
42	902249	1	Wear Plate, Nose (RPLS 902223)	87	900453	4	Screw TF TX 8-16 x 7/8
■ 43	900592	2	Screw SHC 10-32 x 1/2	** 88	900508	1	Label, Warning (International)
44	901241	1	Stop, Probe Adjustment (RPLS 900983)	** 89	900497	1	Label, Warning
45	901238	1	Spring, Leaf	90	902204	1	Guide, Follower (RPLS 403984)
46	902619	1	Release, Probe (RPLS 901240)	91	902239	1	Spring (RPLS 404411 x 1)
				92	902205	1	Button, Follower (RPLS 900297)
				93	010016		AR Service Kit

\* Normal Wear Items

\*\* Ensure Warning Label is affixed and legible

● Included in Service Kit

■ Apply Loctite® 242 (Blue)

▲ Permatex® Ultra-Blue Gasket Sealant 81724

→ New Change

NP Non Procurable

AR As Required

Remove battery &amp; brads before comencing service.

Use eye and ear protection when operating/testing tools.

Use eye protection when cleaning tools.

Use degreaser in a well ventilated area.



**WARNING: All parts must be periodically inspected and replaced if worn or damaged.  
Failure to comply can affect the tool's operation and present a safety hazard.**

# ACCESSORIES

## Battery



Part No. B20544E  
(RPLS 404717)

## Battery Charger system (Australia/New Zealand)



Battery Charger Kit (Shown)

Part No. B20544B

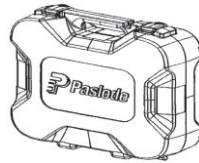
Transformer

Part No. B20544C  
(RPLS 900504)

Charger Base

Part No. B20544D  
(RPLS 900476)

## Carry Case



Part No. 905607  
(RPLS 404710, 902609)

Replacement Latch  
(Square Case 905607)

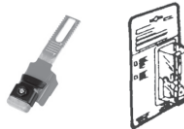
Part No. 219463

Replacement Latch  
(Early Oval Case 902609)

Part No. 219233

## No Mar Probe Assembly

Rubber tipped Probe to eliminate marring work surface



Part No. B20544G  
(RPLS 404705, B20544J)

Replacement Rubber Tip

Part No. 403369

## 5/32" Hex Key

For servicing and clearing jams.



Part No. 401331

## T7 Torx Key

For Fan grub screw



Commercially available

## Paslode Impulse Lubricating Oil

Specially formulated for use in Paslode® Impulse tools.



Part No. B20544F  
(RPLS 401482)

## Impulse Tool Cleaner/Degreaser

Recommended cleaner for all Paslode®



Part No. B20544L  
(RPLS 219086)



## Parts Required to Upgrade 900420 MK1

### Upgrade to Sleeve Assembly with Steel Sealing Rings

Old PN	Old Description	New PN	New Description	Item	Qty.
404719	Sleeve Assy (with O-ring seal)	901204	Sleeve Assy (with steel seal rings)	30	1

### Upgrade to Hex Key Free Probe Adjustment

Old PN	Old Description	New PN	New Description	Item	Qty.
009037	Screw	900592	Screw SEMS	43	2
004238	Washer				
900983	Stop, Probe	901241	Stop, Probe Adjustment	44	1
N/A		901238	Spring, Flat	45	1
N/A		902619	Release, Probe	46	1
N/A		902620	Button, Probe Release	47	2
404410	Yoke (with serrations)	901249	Yoke (no serrations)	48	1
900982	Probe (with underside serrations)	902225	Probe (with side serrations)	50	1

### Upgrade to New Style Follower Guide

Old PN	Old Description	New PN	New Description	Item	Qty.
403984	Guide, Follower	902204	Guide, Follower	90	1
404411	Spring	902239	Spring	91	1
900297	Button, Follower	902205	Button, Follower	92	1

## Change Notes

### Revision 1-2

Item*	Part No.	Items/Description	Change	Action/Change Description
33	900959	Cap	Availability	Replaced by 901321
39	900983	Probe Stop	Design	Replaced by 901241
42	901238	Flat Spring		New
54	404482	O-Ring, Sleeve Seal		Replaced by 900934 (steel sealing rings).
55	404719	Sleeve Assy (with O-Ring Seal)		Replaced by 901204 (with steel sealing rings).
64	900975	Nose Wear Plate		Replaced by 902223 (Superceded Rev. 3).
65	404410	Yoke (with serrations)		Replaced by 901249
66	900982	Probe		Replaced by 901239 (Superceded Rev. 3).
71	900289	Belt Hook		Replaced by 650422 (Superceded Rev. 3/4).
85	901240	Probe Release		New (Superceded Rev. 3).
Acc.	B20544B	Battery Charger Kit		Availability
Acc.	B20544J	No Mar Probe Assembly	Design	Replaced by B20544G

<sup>1</sup> POA - Purchase on Assembly

\*Item numbering refers to previous revisions

### Revision 3

Item	Part No.	Items/Description	Change	Action/Change Description
3*	900469	Fan Motor Assembly Kit	Design	Replaced by item 7, integrated Fan Motor and Mount Assembly Kit 219430 (Superceded).
4*	900300	Retaining Ring (Flat)		
6*	900470	Motor Mount		
7*	401355	Retaining Ring (Curved)		
61*	900596	Screw (Motor Mount x 3)		
7	219430	Fan Motor Assembly Kit	Enhancement	Replaced by 219468 (Circuit Board 902638 upgrade).
2	900320	Grill	Availability	Discontinued
4	901321	Cap & Grill Assy (900595)		
6	901422	Fan Circuit Board	Design	Introduced to replace the circuit board integrated with the Fan Motor (Superceded). Replaced by 902638 (incorporates circuit resistor)
8	900573	Fan Motor Assembly	Availability	PN added to provide availability for tools previously incorporated with Kit 219430 or 219468.
16	900471	Cylinder Head		Discontinued
41	404445	Bush, Shear Block	Design	Greater Rockwell Hardness. No PN change. Requirement for B20543P only.
42	902223	Nose Wear Plate		Replaced by 902249
46	901240	Probe Release		Replaced by 902619
47	902620	Probe Release Button		New
50	901239	Probe		Replaced by 902225
52	404390	Label, Housing (Impulse)		Replaced by 901263 (Superceded).
	901263	Label, Housing (Paslode)		Availability
53	404704	Housing Assembly	Design	Replaced by 902240 (silver to black)
54	900980	Sleeve Retaining Ring	Design	Replaced by 902240 (silver to black)
61	901260	Data Plate Label	Availability	Discontinued
63	219237	Handle Assy Kit, RH/LH		
67	404442	Magazine Channel		
75	900475	Circuit Board Assembly	Manufacturing	Replaced by 900475V (2017) (PN change revoked; 'V' maintained for ANZ only). Introduction of sealed supply tracers (mid 2018). No PN change.
79	650422	Belt/Rafter Hook	Format	Replaced by 901251 (Superceded Rev. 4).
82	901415	Negator Spring & Bush Assy	Manufacturing	Replaced by 900520 (PN change to 901415 revoked).
90	403984	Follower Guide	Design	Replaced by 902204
53*	404411	Spring x 1 (Follower Guide)		Replaced by 902239, item 91
92	900297	Follower Button		Replaced by 902205
93	010016	Service Kit	Availability	Added to schematic.
Acc.	B20544H	12V Car Adaptor	Availability	Discontinued
Acc.	404710	Carry Case	Design	Replaced by 902609 (Superceded).
Acc.	902609			Replaced by 905607
N/A	Various	Assemblies/Flag Notes	Schematic	Complete layout re-design & re-numbering for clarity Defined available ANZ assemblies Added Service Kit & Kit item flags Added Loctite® flags Added discontinued part (D) flags
N/A	Various	Parts/Notes	Parts Legend	Added all current enhanced 900420 upgraded parts Added Service Kit & Kit item flags Updated PN changes Adopted conventional naming Adopted ANZ conventional safety symbols Updated Loctite® and item usage Added Loctite® and Permatex® flags
N/A	Various	Accessories	Accessories	Defined available ANZ Accessories - Deleted 12V Power Adaptor B20544H - Updated Carry Case PN & added Latch PNs

<sup>1</sup> POA - Purchase on Assembly

\*Item numbering per previous revision

**Revision 4**

<b>Item*</b>	<b>Part No.</b>	<b>Items/Description</b>	<b>Change</b>	<b>Action/Change Description</b>
6	902638	Fan Circuit Board	Design	Replaced by 901422 (reverted back). Original configuration compatible with latest ECU revisions.
69	404441	Magazine Cover Plate	Availability	Discontinued
79	901251	Belt/Rafter Hook		Discontinued due to excessive manufacturing costs. Belt Hook (79A) 900289 can be used as a substitute.