

DUO-FAST

NAIERS STAPLERS FASTENERS

16 Gauge Wide Crown Stapler

SW-1748

1015404

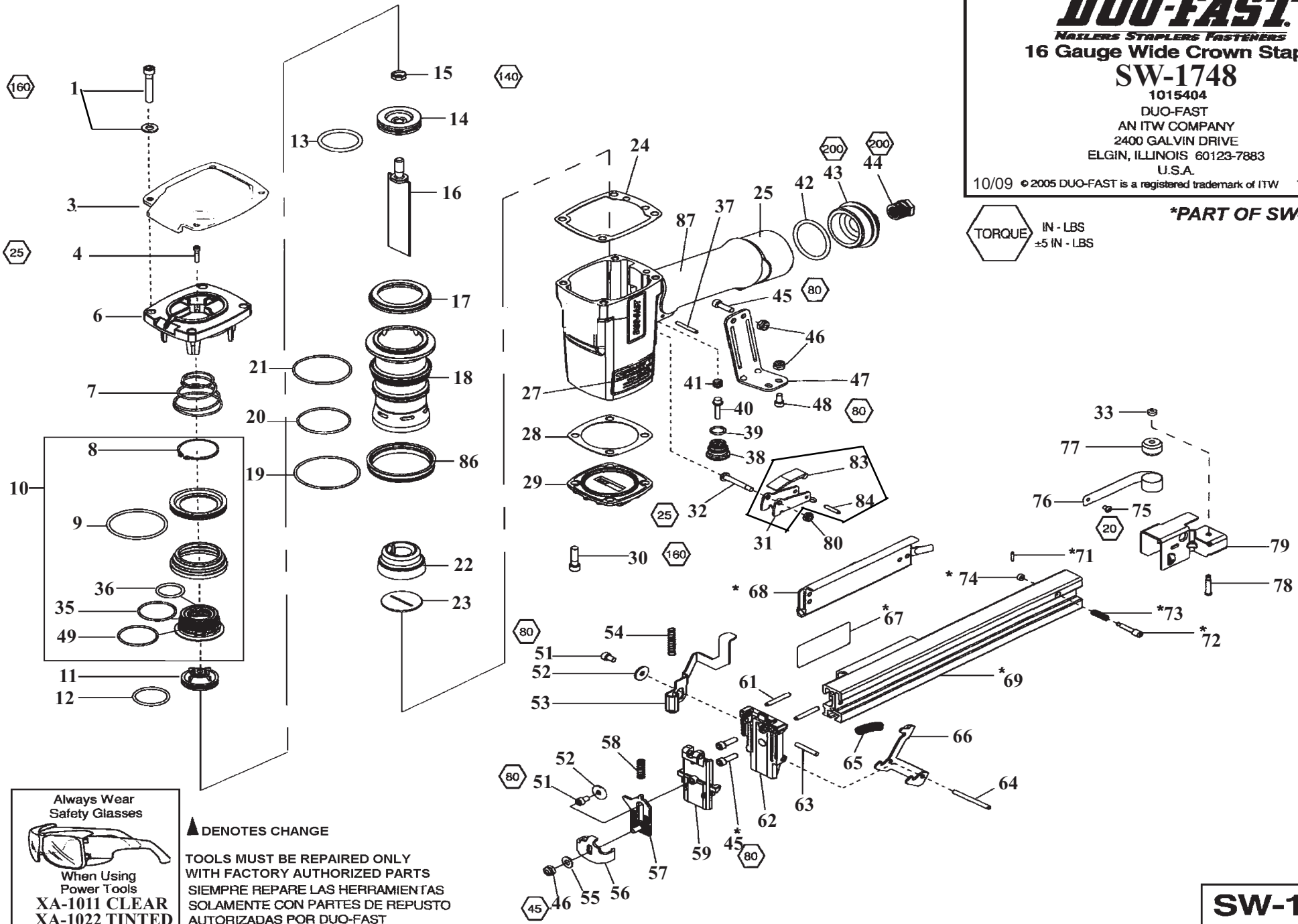
DUO-FAST
AN ITW COMPANY

2400 GALVIN DRIVE
ELGIN, ILLINOIS 60123-7883
U.S.A.

10/09 © 2005 DUO-FAST is a registered trademark of ITW 1015405-3

***PART OF SW-131**

TORQUE IN - LBS
±5 IN - LBS



Always Wear
Safety Glasses



When Using
Power Tools
XA-1011 CLEAR
XA-1022 TINTED

▲ DENOTES CHANGE

TOOLS MUST BE REPAIRED ONLY
WITH FACTORY AUTHORIZED PARTS
SIEMPRE REPAIRE LAS HERRAMIENTAS
SOLAMENTE CON PARTES DE REPUESTO
AUTORIZADAS POR DUO-FAST

SW-1748

SW - 1748

KEY	Qty	PART No	DESCRIPTION	REPLACES	KEY	Qty	PART No	DESCRIPTION	REPLACES	
	1	4	501300	S.H.C.S. 1/4-20X1.1/4"		43	1	401940	END PLUG	
>	3	1	402726	DIFFUSER		44	1	091622	REDUCING PIPE BUSHING	
	4	1	006310	S.H.C.S. 6-32X1/2"		45	4	004502	S.H.C.S. #10-32 X 5/8"	
>	6	1	402704	CAP		46	5	092037	LOCK NUT #10-32	
	7	1	402717	SPRING CONICAL		47	1	402741	RAIL BRACKET	
	8	1	404230	RETAINING RING		48	2	004224	S.H.C.S. #10-32 X3/8"	
	9	1	091537	O-RING 135-70N		49	1	092773	O-RING 027-70N	
	10	1	404188	VALVE ASSY		51	2	403716	S.C.H.S. #10-32 X 5/16	
	11	1	404055	POST MAIN VALVE		52	2	402629	WASHER HARDENED #10	
	12	1	404256	O-RING 122-70N		53	1	402737	W.C.E. INTERMEDIATE	
	13	1	402723	O-RING 219-70N		54	1	402738	SPRING	
	14	1	ZSW115-3	PISTON		55	1	402736	WASHER ,FLAT #10	
	15	1	403582	NUT 5/16"-24		56	1	402608	W.C.E.	
	16	1	ZSW115-1	DRIVER BLADE		57	1	402763	W.C.E. UPPER ASSEMBLY	
	17	1	402725	SEAL SLEEVE		58	1	402734	SPRING LOWER W.C.E.	
	18	1	501274	SLEEVE		59	1	ZSW240-1	NOSE , FRONT	
	19	1	402728	O-RING 138-70N		61	2	404698	ROLL PIN ASSEMBLY	
	20	1	402729	O-RING 031-70N		62	1	ZSW240-2	NOSE , REAR	
	21	1	091966	O-RING 134-70N		63	1	402730	PIVOT PIN,FRONT GUIDE	
	22	1	501280	BUMPER		>	64	1	ZSW101-1	ROLL PIN
	23	1	ZSW115-2	SEAL / BLADE		65	1	405078	SPRING,LATCH	
	24	1	402707	CAP GASKET		66	1	402761	LATCH,FRONT GUIDE	
	25	1	ZSM110-1	HOUSING		67	1	500459	WARNING LABEL	
	27	1	ZSW108-3	MODEL LABEL		68	1	402748	PIVOTING COVER ASSY	
	28	1	402708	GASKET NOSE FLANGE		69	1	ZSW131	RAIL ASSY	
	29	1	402706	NOSE FLANGE		71	1	402740	ROLL PIN 3/32" X 7/16"	
	30	4	091545	S.H.C.S. 1/4-20X7/8"		72	1	ZSW142-2	RELEASE BUTTON	
	31	1	405144	TRIGGER		73	1	402759	SPRING LATCH BUTTON	
		1	402408	TRIGGER ASSY BUMP		74	1	402486	RETAINER WASHER	
		1	406006	TRIGGER ASSY SEQUENTIAL		75	1	ZSM103-9	SLOTTED P.H.M.S. #6-32 X 3/16"	
32	1	402079	PIN TRIGGER		76	1	091532	NEGATOR SPRING		
33	1	402668	RETAINING WASHER		77	1	091534	DRUM NEGATOR		
35	1	092775	O-RING 117-70N 092775		78	1	402743	PIN,NEGATOR DRUM		
36	1	090927	O-RING 026-70N 090927		79	1	ZSW135-1	PUSHER		
37	2	026133	ROLL PIN 1/8"X1"		80	1	404325	STOP NUT #8-32		
38	1	401958	VALVE BODY		83	1	405147	LEVER TRIGGER		
39	1	092174	O-RING		84	1	005849	ROLL PIN1/8" X 11/16"		
40	1	097746	VALVE PIN		86	1	405243	FLANGE SLEEVE		
41	1	097748	SPRING VALVE PIN		87	1	500488	GRIP HANDLE		
42	1	091591	O-RING 222-70N							

* = NEW PART / > = PART CHANGE

1015404
SW - TOOL
16-10-09 (1) GC