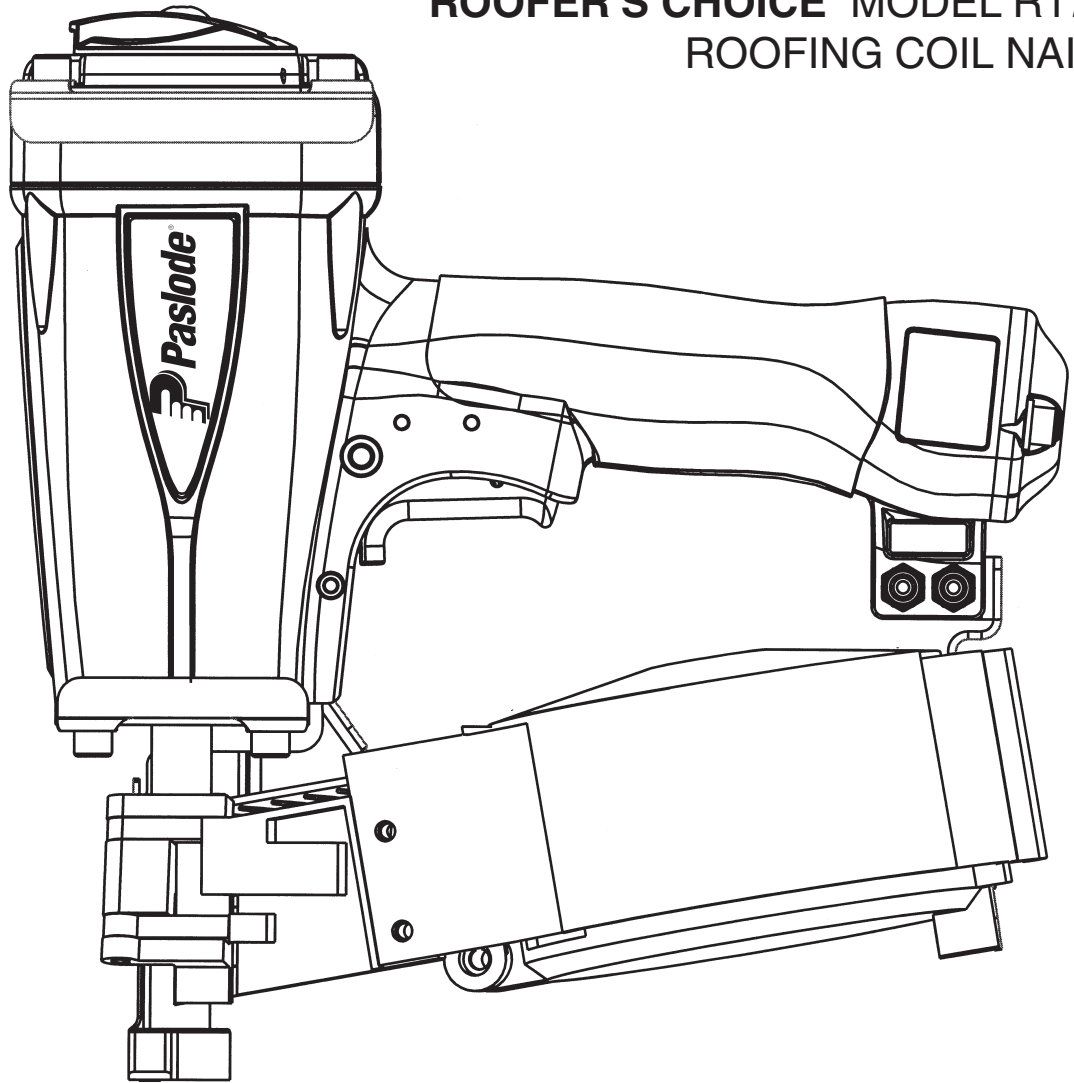




**ROOFER'S CHOICE MODEL R175-C
ROOFING COIL NAILER**



TOOL SCHEMATIC AND PARTS

**IMPORTANT!
DO NOT DESTROY**

Always refer to safety and operating manuals, #403606, #405218 and #405222 for detailed information on this tool. It is the customer's responsibility to have all operators and service personnel read and understand this information.

PARTS LEGEND

R175-C, 501245

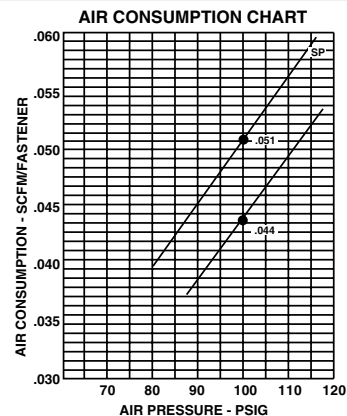
1	501043	1	T.H.S.C.S. 1/4-20 x 1/2"	51	500957	1	Housing
2	500956	1	Cap Diffuser	53	097746	1	Pin
3	091362	4	S.H.C.S. 1/4-20 x 1-1/2"	* 54	092174	1	O-Ring
4	501231	1	Cap	55	026133	2	Roll Pin
5	402717	1	Cinical Spring	56	401958	1	Valve Body
* 6	404230	1	Retaining Ring	57	402668	1	Retaining Washer
7	501250	1	Upper Valve Piston	58	501008	1	Lever, Trigger
* 8	091542	1	O-Ring	59	501010	1	Trigger
9	404054	1	Seal, Main Valve	60	501009	1	Roll Pin
10	404056	1	Lower Valve Piston	61	402669	1	Pin, Trigger
* 11	090927	1	O-Ring, Main Valve	62	403573	1	Retaining Ring
* 12	092775	1	O-Ring, Main Valve	63	405233	1	Piston Guide
* 13	092773	1	O-Ring, Main Valve	64	403572	1	Bumper, Feedclaw Piston
* 14	404256	2	O-Ring, Main Valve	65	096815	1	Spring
15	500954	1	Post, Main Valve	66	092709	1	O-Ring
16	015660	1	S.H.C.S. 10-24 x 1/2"	67	405234	1	Piston, Feedclaw
17	403582	1	Driver Blade Nut	68	402031	1	O-Ring
* 18	405430	1	O-Ring, Piston	69	404663	1	Spring, W.C.E.
→ 19	501252	1	Piston	70	009037	2	S.H.C.S. 10-32 x 1/2"
* 20	404001	1	Driver Blade	71	402629	3	Hardened Washer
21	501322	1	Sleeve Retainer	→ 72	501257	1	Intermediate W.C.E.
22	402725	1	Seal Sleeve	73	404004	1	W.C.E.
23	405243	1	Flange Sleeve	74	006057	3	Flat Washer
24	501228	1	Sleeve	▲ 75	004224	3	S.H.C.S. 10-32 x 3/8"
* 25	402728	1	O-Ring, Sleeve	76	501264	1	Logo Label
* 26	091966	1	O-Ring, Sleeve	77	501294	1	Nameplate
* 27	500369	2	O-Ring, Sleeve	78	404015	1	Cover, Magazine
28	501227	1	Bumper Retainer	79	404092	2	Wear Shield, Magazine
29	500975	1	Gasket Cap	80	403579	1	Roll Pin 1/16 x 1/2"
30	501140	1	Logo Housing Left	81	403568	1	Cap, Post
31	501141	1	Logo Housing Right	82	402071	1	Extension Spring, Post
32	402708	1	Gasket Nose Flange	83	403543	1	Nail Plate Assembly
33	501229	1	Bumper	84	404731	1	Center Post, Outer
34	404007	1	Nose Assembly with Magnet	85	403580	1	Retaining Ring
35	092037	7	Locknut	86	403556	1	Center Post, Inner
36	404091	2	Wear Shield Nose	87	005849	2	Roll Pin - 11/16"
37	091545	4	S.H.C.S. 1/4-20 x 7/8"	** 88	500459	1	Warning Label
38	404361	1	Roll Pin	89	404016	1	Magazine
39	404014	1	Door	90	404303	1	S.H.C.S. 10-32 x 1-1/4"
40	404013	1	Front Guide	91	006621	1	S.H.C.S. 10-32 x 7/8"
41	404106	1	S.H.C.S. 10-32 x 2"	92	404019	1	Nut, Shingle Guide
42	404012	1	Holdback Claw	93	404020	1	Shingle Guide
→ 43	501520	2	Spring	94	404018	1	Bracket, Shingle Guide
44	402486	1	Retaining Washer	95	501023	1	Grip Handle
45	402041	1	Torsion Spring, Feedclaw	96	404017	1	Magazine Bracket
46	405001	1	Feed Claw	97	501320	1	Guide Block
47	402488	1	Pivot Pin, Feedclaw	98	501299	2	S.H.C.S. 1/4-20 x 1"
48	404093	1	Debris Shield	99	500963	1	End Plug
49	404002	3	Grommet, Debris Shield	▲ 100	071297	1	Roll Pin 1/8 x 1-1/8"
▲ 50	004502	4	S.H.C.S. 10-32 x 5/8"	101	404010	1	Magnet
				102	501253	2	Shield/Wear Cap

* Denotes normal wear items.

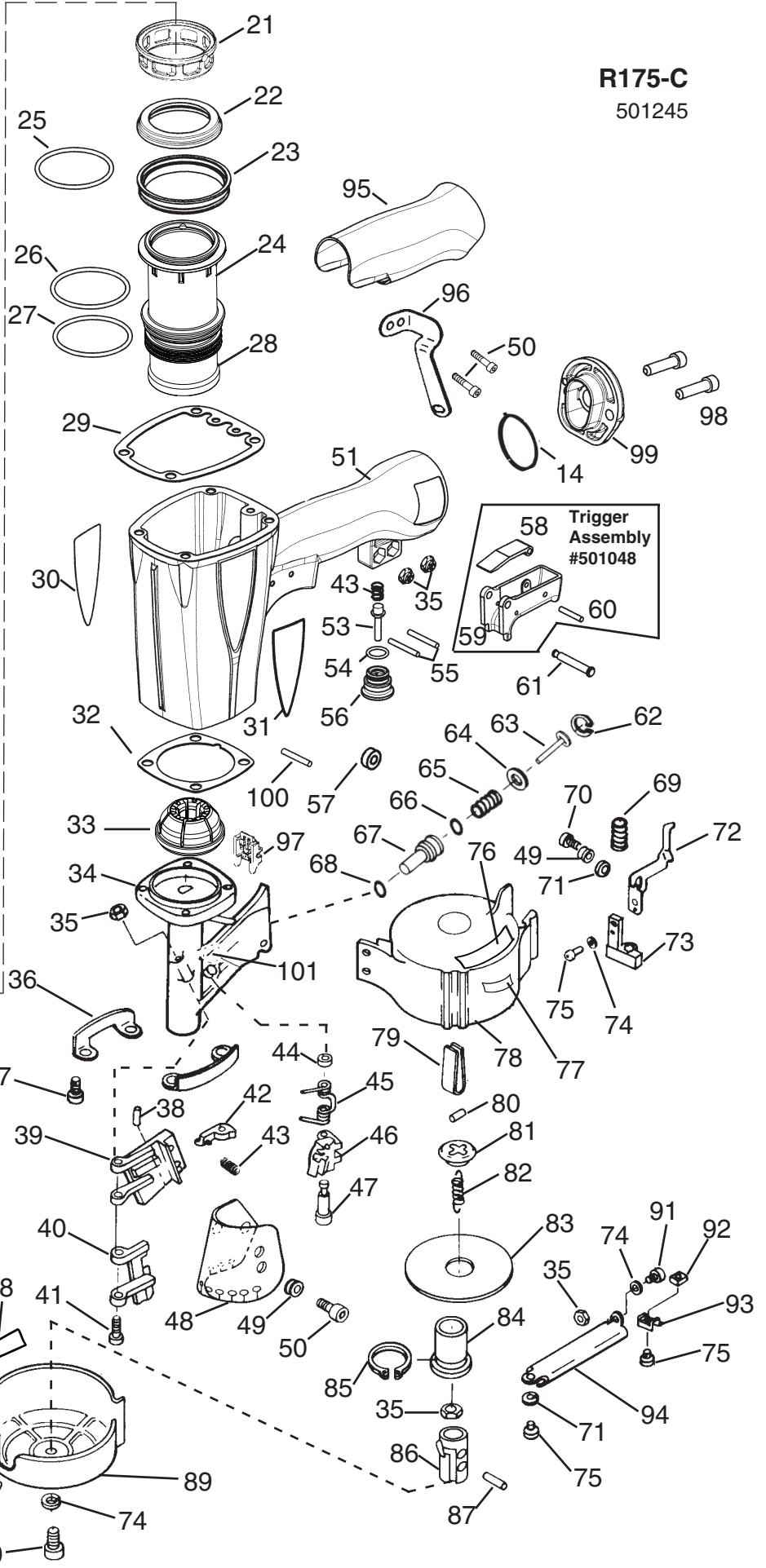
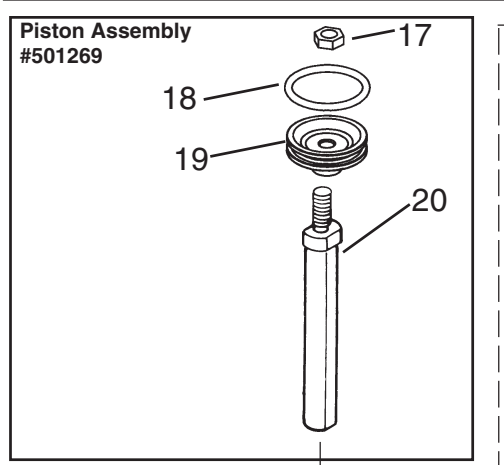
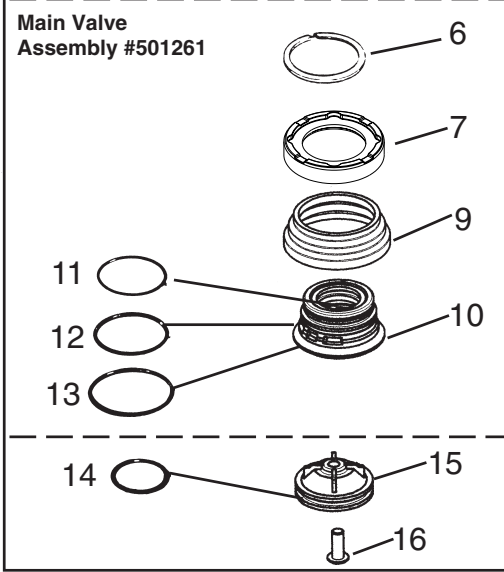
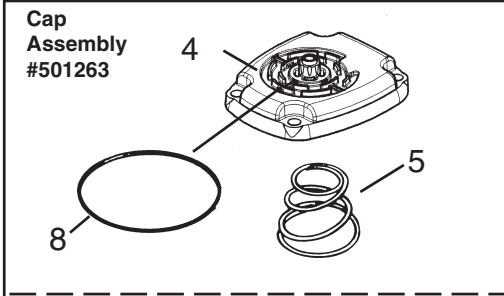
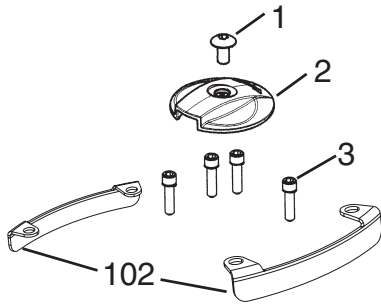
** Make sure warning label (500459) is properly affixed. Replace if necessary. Label available at no charge through the Service Dept.

▲ Apply Loctite 242 (Blue)

→ Denotes new change



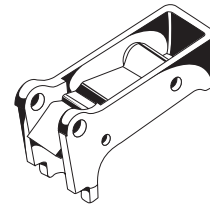
R175-C
501245



ACCESSORIES

Sequential Operating Kit

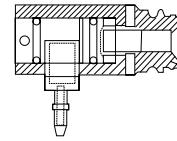
This special attachment is designed for sequential operation (stops "contact" firing). The operator must depress and hold the work contacting element against the worksurface before pulling the trigger. This sequence must be repeated each time the tool drives a fastener.



Part No. 501039

Remote Fire Valve

This valve via a positive air signal allows a machine mounted tool to be operated from an automatic air valve or foot pedal system.



Part No. 1X0713

Lubricants and Loctite

Chemplex 710 Lubricant 1 lb.

Part No. 403734

Lubricant 5 gram tubes

Part No. 219188

Loctite 242 (Blue) 1 oz.

Part No. 093500

Lubricating Oil 16 oz.

Part No. 403720

Lubricating Oil 8 oz. with Antifreeze

Part No. 219090



Belt Hook

Attaches to tool enabling you to carry tool on belt holder (offered below).

Part No. 500955

Belt Hook Holder

Attaches to work belt and carries tool using the above belt hook.

Part No. 219028

Large Nylon Tool Bag

Part No. 219246

Degreaser Cleaner

Ideal cleaner for all Paslode tools.

Part No. 219086

Safety Glasses

Clear

Part No. 402510

Tinted

Part No. 402512

Adjustable Work Contacting Element

This adjustable work contacting element has multiple settings to control the depth of drive.

Part No. 1X1374

Trigger Valve Repair Kit

This kit repairs all trigger valve air leaks

Part No. 219224

Feeder Claw Repair Kit

This kit repairs nail feed problems.

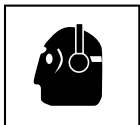
Part No. 219225

SAFETY INSTRUCTIONS

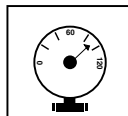
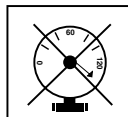
WEAR EYE AND HEARING PROTECTION



Always wear hearing protection and eye protection devices, including side shields when operating or working in the vicinity of a tool.



Never use any bottled air or gases such as oxygen to operate the tool since they could cause the tool to explode.



DO NOT EXCEED MAXIMUM RECOMMENDED AIR PRESSURE

Operate the tool using only the recommended air pressure. Do not exceed the maximum air pressure marked on the tool. Be sure the air pressure gauge is operating properly and check it at least twice a day.



An Illinois Tool Works Company
888 Forest Edge Drive
Vernon Hills, Illinois 60061