

***DUO-FAST***®

**PNEUMATIC CNP65.1  
COIL NAILER  
D40030**



---

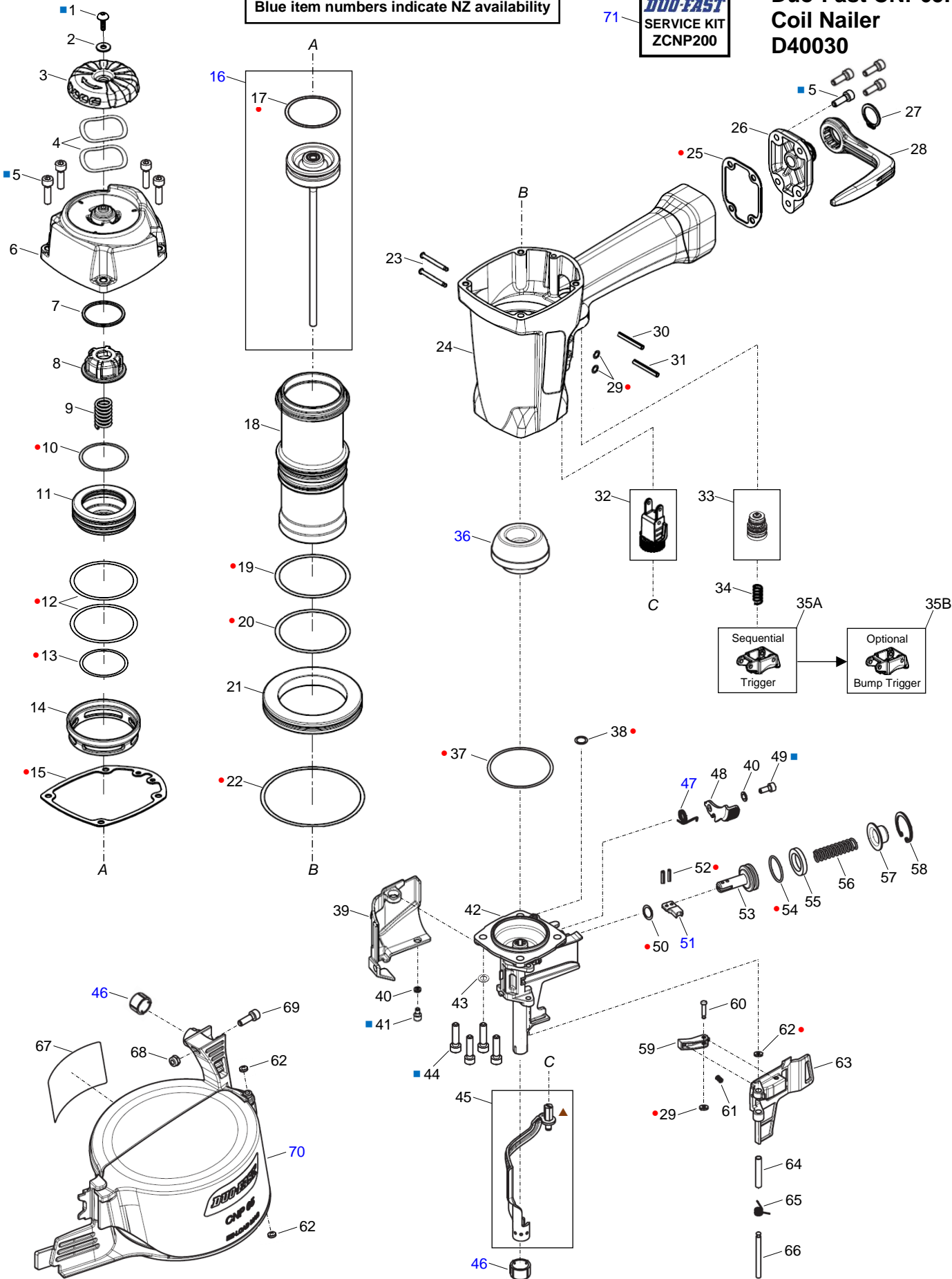
**ILLUSTRATED PARTS LIST**

---

Limited parts available in New Zealand  
Service Kit provides all O-Rings & Gaskets  
Blue item numbers indicate NZ availability

**DUU-FAST**  
SERVICE KIT  
ZCNP200

**Duo-Fast CNP65.1  
Coil Nailer  
D40030**



- Service Kit Item
- Loctite® 242
- ▲ Grease

All parts sold as single items unless described as a set etc., or forms part of an assembly (multiple items defined within a box). A part with no item number is only available in an assembly.

## PARTS LEGEND

## DUO-FAST CNP65.1 COIL NAILER

D40030

■	1	720478	1 Screw UH	*	36	720418	1 Bumper
	2	721058	1 Washer, Flat	*●	37	720471	1 O-Ring
	3	720408	1 Cover, Exhaust	*●	38	919017	1 O-Ring (RPLS 720461) →
	4	720482	2 Washer, Wave		39	721154	1 Cover, Nose
■	5	720458	8 Screw SHC		40	720044	2 Washer, Flat
	6	721099	1 Cap	■	41	721034	1 Screw SHC
	7	720417	1 Spacer		42	721160	1 Nose
	8	720412	1 Stop, Piston		43	905575	4 Washer, Spring →
	9	720410	1 Spring	■	44	720459	4 Screw SHC
*●	10	720465	1 O-Ring		45	721144	1 Probe & DoD Shaft Assembly
	11	720411	1 Piston, Main Valve	*	46	721145	2 No Mar Tip
*●	12	720469	2 O-Ring	→	47	503244	1 Spring, Latch (RPLS 721170)
*●	13	720467	1 O-Ring	→	48	503213	1 Latch (RPLS 721171)
	14	720413	1 Collar	■	49	721172	1 Screw SHC
*●	15	720414	1 Gasket, Cap	*●	50	721176	1 O-Ring
*	16	721109	1 Driver & Piston Assembly	→	51	721163	1 Pawl, Feed
*●	17	720466	1 O-Ring, Piston	●	52	721162	2 Pin, Roll
	18	721110	1 Cylinder		53	721164	1 Piston, Feed
*●	19	720468	1 O-Ring	*●	54	503242	1 O-Ring (RPLS 721165)
*●	20	720470	1 O-Ring		55	721166	1 Bumper Stop, Feed Piston
	21	721113	1 Ring, Bulkhead	→	56	38303202	1 Spring (RPLS 720520, 721167, 38303201)
*●	22	720472	1 O-Ring		57	721168	1 Collar, Spring
	23	720427	2 Pin, Step		58	721169	1 Circlip
	24	720419	1 Body Housing		59	721148	1 Tensioner
*●	25	720424	1 Gasket, Inlet Cap		60	721147	1 Pin, Step
	26	721121	1 Cap, Inlet (Blue)		61	721149	1 Spring, Tensioner
	27	720453	1 Circlip	*●	62	502989	3 Ring, PU Retaining (RPLS 721143) →
	28	720426	1 Hook, Belt		63	721150	1 Gate
*●	29	OR01919N	3 O-Ring →(RPLS 721020)	→	64	503202	1 Sleeve, Gate Hinge (RPLS 721151)
	30	720474	1 Pin, Roll (Short)	→	65	502999	1 Spring, Gate (RPLS 721152)
	31	720475	1 Pin, Roll (Long)	→	66	503203	1 Pin, Gate Hinge (RPLS 721153)
→	32	720422	1 Depth of Drive Assembly (RPLS 721146)		67	721175	1 Label, Data and Warning
*●	33	41607301A	1 Trigger Valve Assembly → (RPLS 720404, 23303804A)		68	721053	1 Nut, Lock
	34	720407	1 Spring, Trigger		69	720028	1 Screw SHC
	35A	720420	1 Trigger, Sequential Fire (Grey)		70	721141	1 Magazine Assembly
	35B	721086	1 Trigger, Bump Fire (Orange) (Optional)	→	71	ZCNP200	AR Service Kit

\* Normal Wear Items

● Included in Service Kit

■ Apply Loctite® 242 (Blue)

→ New Change

AR As Required

Blue PNs - New Zealand limited parts availability

Accessories supplied in carry bag\*

1 x 30ml Oil

1 x Bump Trigger (Orange)

1 x 3mm Hex Key

1 x 4mm Hex Key

1 x 5mm Hex Key

1 x Safety Glasses

\*Carry bag non-procurable

Tool supplied with 1/4 NTP Nitto® style air adaptor (installed)



Use eye protection when cleaning tools.

Use eye and ear protection when operating/testing tools.

Use degreaser in a well ventilated area

Use only approved Paslode Compressor Tool Oil PN F27625.

Never use mineral based oils.

Oil tool daily with 4 to 6 drops via air inlet connection.

Heavy usage will require more frequent oiling.

Operating air pressure at the tool inlet: 550-760 kpa (80-110 psi)

Never exceed the maximum stated air pressure.

Regularly check the regulator and pressure gauge operation.

A water/oil trap must be installed on the regulator outlet and drained regularly.

Never use bottled air or gases such as oxygen to operate the tool.



**WARNING: All parts must be periodically inspected and replaced if worn or damaged.  
Failure to comply can affect the tool's operation and present a safety hazard.**

## Change Notes

### Revision 1

Item	Part No.	Item Description	Change	Action/Change Description
*31	720017	O-Ring	Availability	POA <sup>1</sup> 33, Trigger Valve Assembly 41607301A
*32	720402	Trigger Valve Body (inner)		
*33	720234	O-Ring		
*34	720235	O-Ring		
*35	720405	Trigger Valve Piston		
*36	720463	O-Ring		
*37	720242	O-Ring		
*38	720277	Spring		
*39	720406	Spool Valve		
*40	720460	O-Ring		
*41	720464	O-Ring		
*42	720403	Trigger Valve Housing		
*79	721173	Label, Logo		
*80	721174	Label, Logo		
29	721020	O-Ring	Format	Replaced by OR01919N
33	720404	Trigger Valve Assembly	Format	Replaced by 23303804A (Superceded)
	23303804A		Manufacturing	Replaced by 41607301A
34	721146	Depth of Drive Assembly	Format	Replaced by 720422
38	720461	O-Ring	Format	Replaced by 919017
43	905575	Spring Washer	Enhancement	Introduced for added retention
47	721170	Spring	Format	Replaced by 503244
48	721171	Latch		Replaced by 503213
51	721163	Feed Pawl (Black)	Enhancement	Pawl tip geometry & coating changed to improve nail coalition advancement. Colour changed to silver. No part number change.
54	721165	O-Ring	Format	Replaced by 503242
56	720520	Spring		Replaced by 721167 (Superceded)
	721167			Replaced by 38303201 (Superceded)
	38303201		Manufacturing	Replaced by 38303202
63	721143	PU Retaining Ring	Format	Replaced by 502989
64	721151	Gate Hinge Sleeve		Replaced by 503202
65	721152	Gate Spring		Replaced by 502999
66	721153	Gate Hinge Pin		Replaced by 503203
N/A	Various	Assemblies/Flag Notes	Schematic	Complete layout re-design & re-numbering for clarity. Defined available assemblies Added Service Kit & Kit item flags Added Loctite® flags
		Parts/Notes	Parts Legend	Adopted conventional naming Updated Loctite® and item usage Added Service Kit & Kit item flags

<sup>1</sup> POA - Purchase on Assembly

\*Item numbering per previous revision

### Revision 2

N/A	Various	Assemblies/Flag Notes	Schematic	Minor layout change & re-numbering Defined available New Zealand parts availability
		Parts/Notes	Parts Legend	Minor re-numbering change Defined available New Zealand parts availability