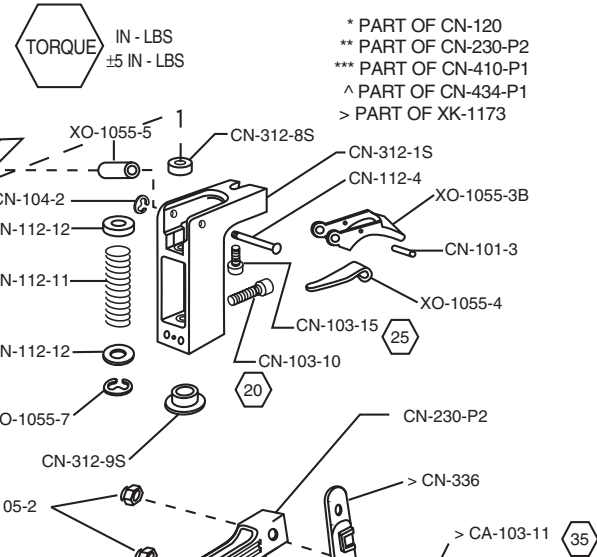


**DUO-FAST**  
CONSTRUCTION

**Round Head Nailer**  
**D30010 / CN-350B**

**0073163**  
DUO-FAST  
AN ITW COMPANY  
955 National Parkway  
Schaumburg, Illinois 60173-5172  
U.S.A

01/09 □      © 2007 DUO-FAST CONSTRUCTION      1012458-24



Always Wear  
Safety Glasses

When Using  
Power Tools  
XA-1011 CLEAR  
XA-1022 TINTED

**▲ DENOTES CHANGE**

TOOLS MUST BE REPAIRED ONLY  
WITH FACTORY AUTHORIZED PARTS  
SIEMPRE REPARA LAS HERRAMIENTAS  
SOLAMENTE CON PARTES DE REPUESTO  
AUTORIZADAS POR DUO-FAST

**CN-350B**

| UNIQUE # | PART NO.  | DESCRIPTION                | REPLACES | UNIQUE # | PART NO.   | DESCRIPTION           | REPLACES |
|----------|-----------|----------------------------|----------|----------|------------|-----------------------|----------|
| 0397943  | CA-103-11 | SCREW                      |          | 0062794  | CN-312-1S  | TRIGGER HOUSING       |          |
| 0435438  | CN-101-3  | ROLL PIN                   |          | 0062802  | CN-312-8S  | UPPER BUSHING         |          |
| 0435784  | CN-103-6  | SCREW                      |          | 0062810  | CN-312-9S  | LOWER BUSHING         |          |
| 0435800  | CN-103-10 | SCREW                      |          | 1015385  | CN-336     | PUSHER STOP ASSEMBLY  |          |
| 0429902  | CN-103-15 | SCREW                      |          | 1013064  | CN-401-1   | ROLL PIN              |          |
| 0435495  | CN-104-2  | RETAINING RING             |          | 1011872  | CN-410-P1  | HANDLE - PART. ASM.   |          |
| 0435503  | CN-104-4  | RETAINING RING             |          | 1012593  | CN-434-P1  | PUSHER ASSEMBLY       |          |
| 0435586  | CN-106-3  | BUSHING                    |          | 0074583  | CN-610-4   | CUSHION GRIP          |          |
| 0443283  | CN-110-5P | BUMPER                     |          | 0446526  | CNB-103-4  | SCREW                 |          |
| 0441394  | CN-110-6  | BUMPER - OPT.              |          | 0437871  | CT-202     | WASHER                |          |
| 0414813  | CN-110-13 | HEX BUSHING                |          | 0403246  | DE-101-1   | ROLL PIN              |          |
| 0435602  | CN-112-4  | TRIGGER PIN                |          | 0173955  | DS-105-1   | NUT                   |          |
| 0435644  | CN-112-11 | SPRING SAFETY - OUTER      |          | 0412676  | IN-105-2   | NUT                   |          |
| 0407270  | CN-112-12 | SPRING RETAINER            |          | 0413401  | IN-142-3   | DRIVE SCREW           |          |
| 0435271  | CN-113-1  | VALVE CARTRIDGE            |          | 0413856  | ISN-101-2  | ROLL PIN              |          |
| 0435289  | CN-113-2  | TRIGGER VALVE              |          | 0413906  | ISN-104-1  | E-RING                |          |
| 0435859  | CN-113-3  | VALVE RETAINER             |          | 0413930  | ISN-106-1  | WASHER                |          |
| 0435651  | CN-113-4  | SPRING                     |          | 0017335  | MN-103-6   | SCREW                 |          |
| 0435297  | CN-115-1  | PISTON                     |          | 0420307  | MS-120-4   | EXHAUST DEFLECTOR     |          |
| 0406371  | CN-120    | CAP ASSEMBLY               |          | 0196345  | OR-006-70L | O-RING                |          |
| 0435875  | CN-120-1  | CAP (MACHINED)             |          | 0414409  | OR-010-60N | O-RING                |          |
| 0435511  | CN-120-3  | EXHAUST SEAL               |          | 0197913  | OR-012-70L | O-RING                |          |
| 0436444  | CN-132    | NEGATOR SPRING ASM.        |          | 0391615  | OR-013-70N | O-RING                |          |
| 0435891  | CN-132-2  | SPRING DRUM                |          | 0198028  | OR-028-70L | O-RING                |          |
| 0435909  | CN-132-3  | WASHER                     |          | 0412445  | OR-040-90N | O-RING                |          |
| 0490169  | CN-133    | YOKE EXTENSION ASM.        |          | 0201806  | OR-026-70L | O-RING                |          |
| 0435347  | CN-140-5  | YOKE SPRING GUIDE          |          | 0202374  | OR-137-70L | O-RING                |          |
| 0435941  | CN-140-6  | SPRING SHIELD              |          | 0192799  | OR-142-70L | O-RING                |          |
| 0046334  | CN-140-8A | SPRING (WORK CONTACT ELE.) |          | 0211664  | OR-144-70L | O-RING                |          |
| 0123984  | CN-202-2  | SPRING, POPPET             |          | 0202408  | OR-146-70L | O-RING                |          |
| 0155093  | CN-202-3  | TORSION SPRING             |          | 0428888  | TD-103-2   | SCREW                 |          |
| 0414508  | CN-203-7  | OVAL POINT SET SCREW       |          | 0456772  | XA-1011    | EYE PROTECTION-CLEAR  |          |
| 0437236  | CN-210-4  | CYLINDER SLEEVE            |          | 0277806  | XA-1022    | EYE PROTECTION-TINTED |          |
| 0437244  | CN-215-2  | DRIVER BLADE               |          | 0131680  | XH-102-11  | SPRING                |          |
| 0408203  | CN-220-2M | POPPET 0474429             |          | 0474429  | XH-103-13  | SCREW                 |          |
| 0408211  | CN-220-3  | POPPET SEAL                |          | 0483479  | XH-108-18  | WARNING LABEL         |          |
| 0076828  | CN-230-P2 | MAG. BASE PARTIAL ASM.     |          | 0353847  | XH-108-31  | CYCLE LABEL           |          |
| 0416933  | CN-232-1  | NEGATOR SPRING             |          | 1015413  | XK-1173    | PUSHER STOP KIT       |          |
| 0437517  | CN-240-3  | WORK CONTACT ELEMENT       |          | 0456350  | XO-1044-5  | SPRING                |          |
| 0437533  | CN-240-10 | STOP CAM BRACKET ASM.      |          | 0441162  | XO-1055    | PUSH ROD-LOWER        |          |
| 0142240  | CN-250-1  | NOSE (MACHINED)            |          | 1011921  | XO-1055-3B | TRIGGER               |          |
| 1011786  | CN-303-1  | SCREW                      |          | 0441204  | XO-1055-4  | TRIP LEVER            |          |
| 1013911  | CN-303-2  | SCREW                      |          | 0441212  | XO-1055-5  | BUSHING               |          |
| 1011802  | CN-306-1  | WASHER                     |          | 0441238  | XO-1055-6  | PUSH ROD-UPPER        |          |
| 0065599  | CN-308-3  | PRODUCT LABEL              |          | 0441246  | XO-1055-7  | RETAINING RING        |          |

\* = NEW PART      > = PART CHANGE

CN-350B  
01/09 (24) GL

|          |             |              |                  |
|----------|-------------|--------------|------------------|
|          | NAIL LENGTH | 2" TO 2-1/2" | 2 1/2" TO 3-3/4" |
| DROP-OFF | PART NO.    | CN-240-2     | CN-140-2         |
|          | ITEM CODE   | 0440610      | 0435990          |