



**IMPULSE IM50S MK2  
COILMASTER  
B40001 (MK2)**



---

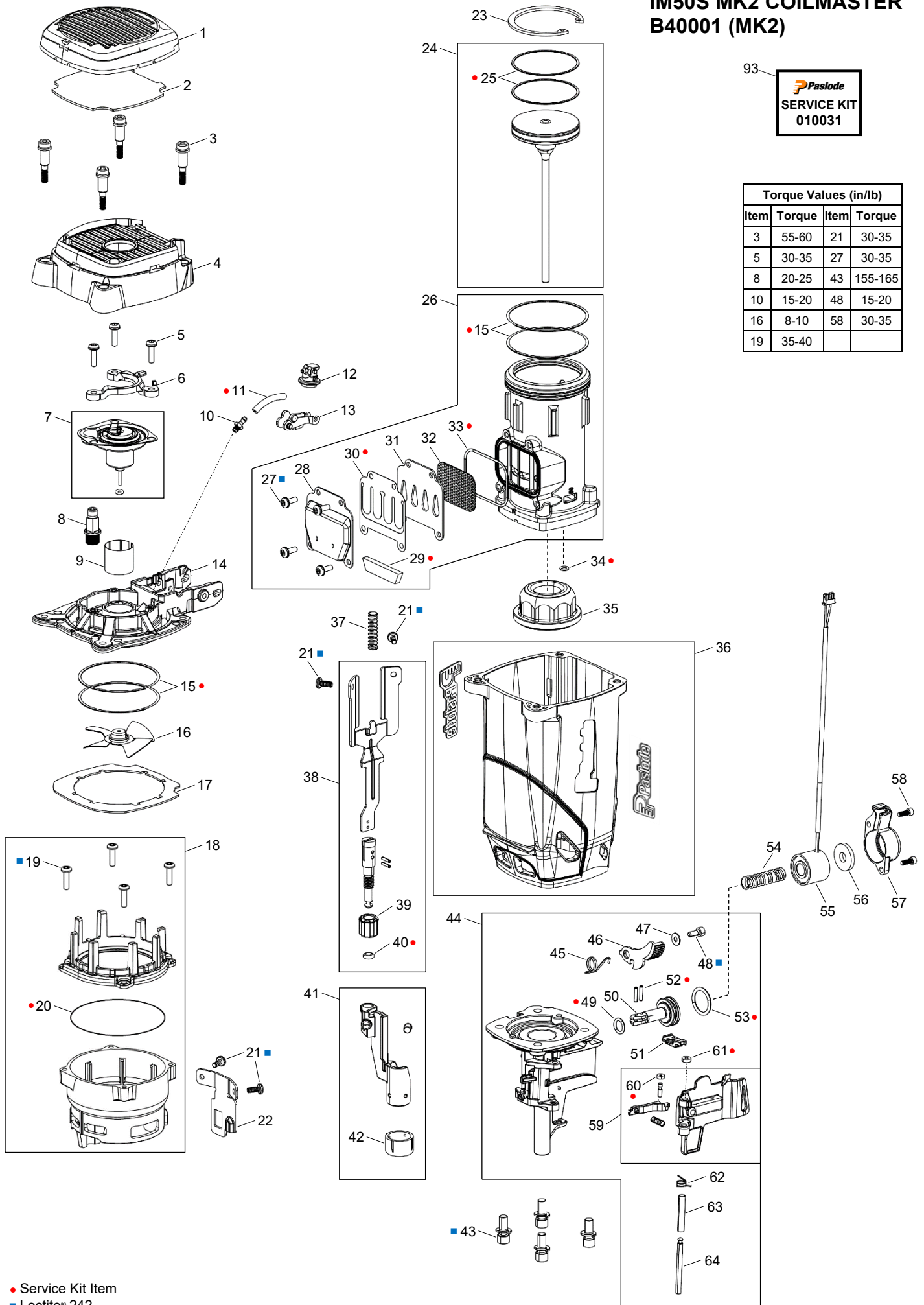
**ILLUSTRATED PARTS LIST**

---

# PASLODE IMPULSE IM50S MK2 COILMASTER B40001 (MK2)

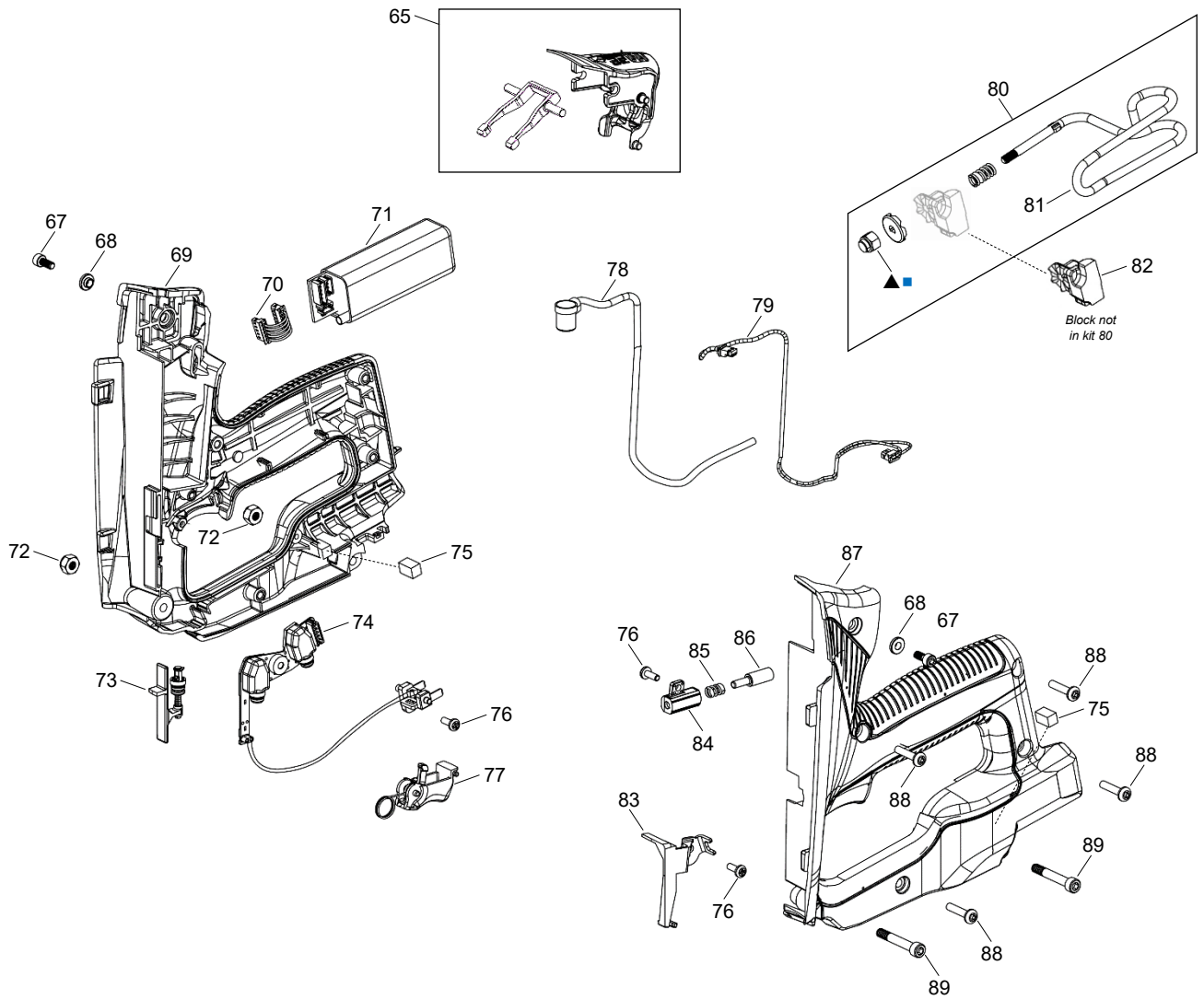


Torque Values (in/lb)			
Item	Torque	Item	Torque
3	55-60	21	30-35
5	30-35	27	30-35
8	20-25	43	155-165
10	15-20	48	15-20
16	8-10	58	30-35
19	35-40		

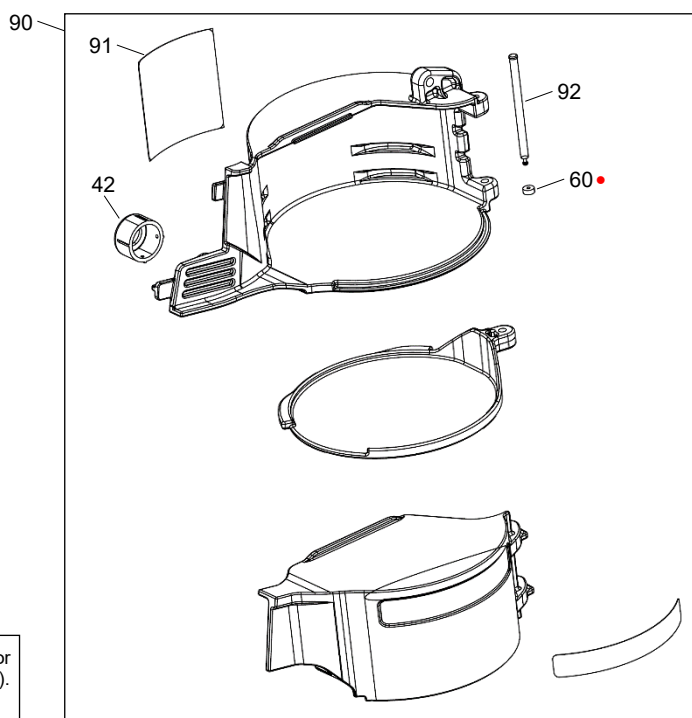


● Service Kit Item  
■ Loctite® 242

# PASLODE IMPULSE IM50S MK2 COILMASTER B40001 (MK2)



Torque Values (in/lb)			
Item	Torque	Item	Torque
67	30-35	89	25-30
76	6-8	▲	55-65
88	18-22		



All parts sold as single items unless described as a pack, set or forms part of an assembly (multiple items defined within a box). A part with no item number is only available in an assembly.

- Service Kit Item
- Loctite® 242

**PARTS LEGEND**

**PASLODE IM50S MK2 COILMASTER**

**B40001 (MK2)**

1	919042	1 Grill	■ 48	919103	1 Screw SHC 6-32 x 0.375
* 2	900455	1 Filter	*● 49	503231	1 O-Ring, Feed Piston Shaft
3	901065	4 Screw SHC 10-24 x 1-1/4	→ 50	919052-2	1 Piston, Feed
4	919040	1 Cap	51	919102	1 Pawl, Feed
5	900902	3 Screw TF SEMS 8-32 x 5/8	● 52	503207	2 Pin, Feed Pawl
6	902637	1 Limiter	*● 53	503242	1 O-ring, Feed Piston
7	902644	1 Motor Assembly, Fan	→ 54	919096-1	1 Spring, Feed Piston
8	900287	1 Spark Plug Assembly	→ 55	919069-1	1 Electromagnet
9	401356	1 Sleeve, Fan Motor	56	904540	1 Bumper, Electromagnet
10	904517	1 Fuel Barb	57	919024	1 Housing, Electromagnet
● 11	904546	1 Fuel Tube	58	919105	2 Screw SHC 8-32 x 3/8
12	902405	1 Fuel Block	59	919141	1 Gate & Check Pawl Assembly
13	904521	1 Pivot Arm, Fuel Tube	● 60	515434	2 Ring, Retaining PU
→ 14	919126	1 Cylinder Head	● 61	502989	1 Ring, Retaining PU
*● 15	919067	4 Seal Ring, Cylinder Head and Sleeve	62	502999	1 Spring, Gate
16	403167	1 Fan Blade Assembly	63	503202	1 Sleeve, Gate Hinge
17	919048	1 Air Dam	64	503203	1 Pin, Gate Hinge
→ 18	919132	1 Combustion Chamber Assembly	→ 65	919153	1 Fuel Door Assembly
■ 19	900969	4 Screw 8-32 x 5/8	→ 66		NP Lever, Fuel Dosing (POA 919153)
*● 20	919045	1 O-Ring	67	919116	2 Screw SHC 8-32 x 3/8
■ 21	919065	4 Screw TX SEMS 8-32 x 1/4	68	919115	2 Bush
22	919028	1 Bracket, Chamber Lockout	→ 69	919130	1 Handle RH
23	919004	1 Ring, Retaining Circlip	70	900662	1 Wire Harness, ESU
* 24	919005	1 Driver & Piston Assembly	71	904717	1 Electronic Spark Unit (ESU)
*● 25	900612	2 Seal Ring, Piston	72	919092	2 Nut, Nyloc 10-24
26	919125	1 Sleeve Assembly	73	901095	1 Slide Switch Assembly
■ 27	900595	4 Screw TX SEMS 8-32 x 3/8	74	919068	1 Circuit Board Assembly
28	919010	1 Cover, Muffler	75	918903	2 Pad, Foam (Battery)
*● 29	919049	1 Muffler	76	404702	3 Screw TF 6-19 x 3/8
*● 30	919009	1 Reed Valve	77	919120	1 Trigger Assembly
31	919011	1 Reed Plate	78	903728	1 Wire Lead Assembly, Spark
32	919016	1 Baffle, Exhaust	79	919063	1 Wire Lead Assembly, Fan Motor
*● 33	919014	1 Seal, Exhaust	→ 80	919075A	1 Hook Assembly Kit, Belt/Rafter (RPLS 919076, 919078, 919079)
*● 34	919017	1 O-Ring	81	919075	1 Hook, Belt/Rafter
* 35	919012	1 Bumper	82	919077	1 Block, Belt/Rafter Hook
36	919142	1 Housing Assembly	83	904532	1 Retainer, Trigger & Wire Lead
37	919046	1 Spring, Yoke	84	904705	1 Housing, Lockout Pin
38	919123	1 Yoke Assembly	85	904707	1 Spring
39	018956	1 Wheel, Depth Adjustment	86	919095	1 Pin, Lockout
● 40	919110	1 O-Ring, Retaining	→ 87	919129	1 Handle LH
41	919124	1 Probe Assembly	88	901066	4 Screw TF TX 8-16 x 3/4
* 42	576340	2 No Mar Tip	89	919093	2 Screw 10-24
■ 43	919108	4 Screw SHC SEMS 1/4-20 x 7/8	90	919031	1 Magazine Assembly
44	919022	1 Nose Assembly	** 91	919083	1 Label, Data Plate and Warning
45	503244	1 Spring, Latch	92	919055	1 Pin, Magazine Hinge
46	503213	1 Latch	93	010031	AR Service Kit
47	919104	1 Washer, Flat 6-32			

\* Normal Wear Item

\*\* Ensure Warning Label is affixed and legible

● Included in Service Kit

■ Apply Loctite® 242 (Blue)

→ New Change

AR As Required

NP Non Procurable

POA Purchase on Assembly

**Remove battery & brads before commencing service.**



**Use eye and ear protection when operating/testing tools.**

**Use eye protection when cleaning tools.**

**Use degreaser in a well ventilated area.**



**WARNING: All parts must be periodically inspected and replaced if worn or damaged.**

**Failure to comply can affect the tool's operation and present a safety hazard.**

# ACCESSORIES

**Battery**

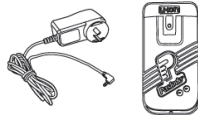
Part No. B20543A



**Battery Charger system**  
(Australia/New Zealand)

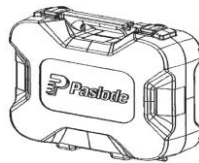
Battery Charger Kit (Shown)  
Transformer  
Charger Base

Part No. B20543B  
Part No. B20543C  
Part No. 902661



**Carry Case**

Part No. 919143



**9/64" Hex Key**  
**5/32" Hex Key**  
Maintenance tools

Part No. 900736  
Part No. 401331



**T7 Torx Key**  
For Fan grub screw

Commercially Available



**Paslode Impulse**  
**Lubricating Oil**  
Specially formulated for use in  
Paslode® Impulse tools.

Part No. B20544F



**Impulse Tool**  
**Cleaner/Degreaser**  
Recommended cleaner for all  
Paslode®

Part No. B20544L



  
Ingleburn, Australia  
[www.paslode.com.au](http://www.paslode.com.au)

  
Auckland, New Zealand  
[www.paslode.co.nz](http://www.paslode.co.nz)