



**IMPULSE IM50S MK1
COILMASTER
B40001 (MK1)**

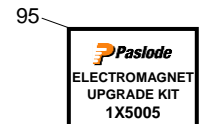
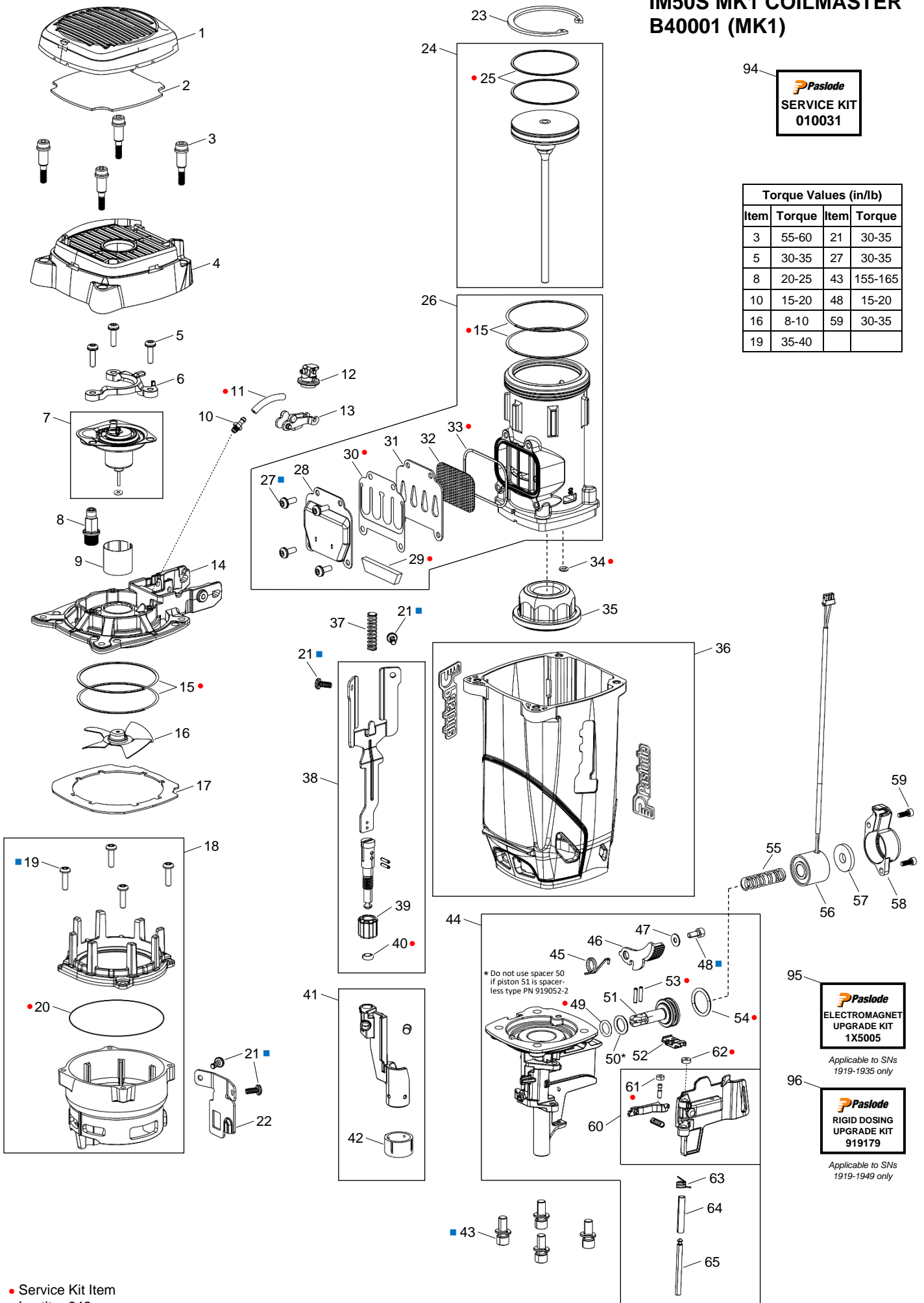


ILLUSTRATED PARTS LIST

PASLODE IMPULSE IM50S MK1 COILMASTER B40001 (MK1)



| Torque Values (in/lb) | | | |
|-----------------------|--------|------|---------|
| Item | Torque | Item | Torque |
| 3 | 55-60 | 21 | 30-35 |
| 5 | 30-35 | 27 | 30-35 |
| 8 | 20-25 | 43 | 155-165 |
| 10 | 15-20 | 48 | 15-20 |
| 16 | 8-10 | 59 | 30-35 |
| 19 | 35-40 | | |



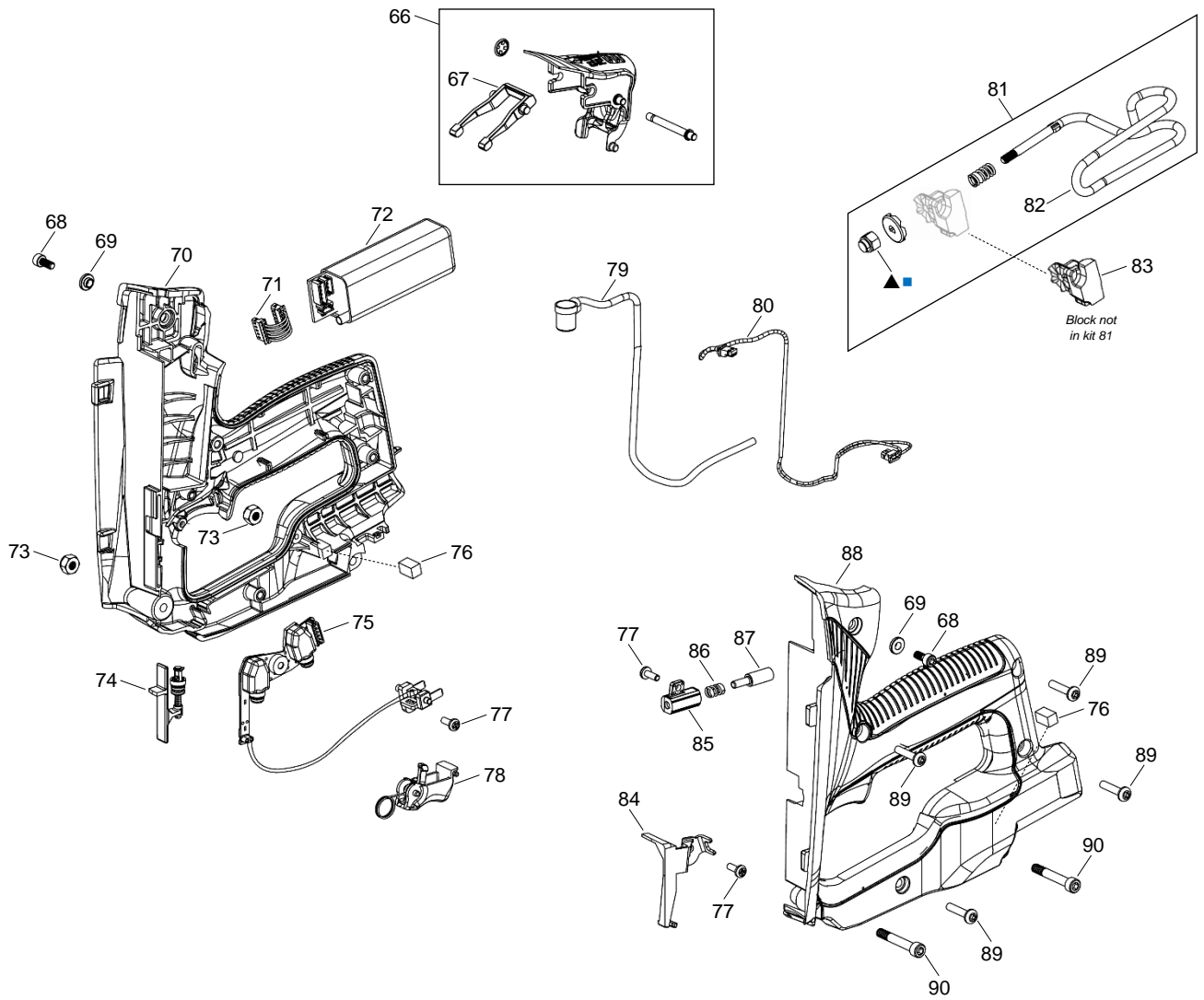
Applicable to S/Ns
1919-1935 only



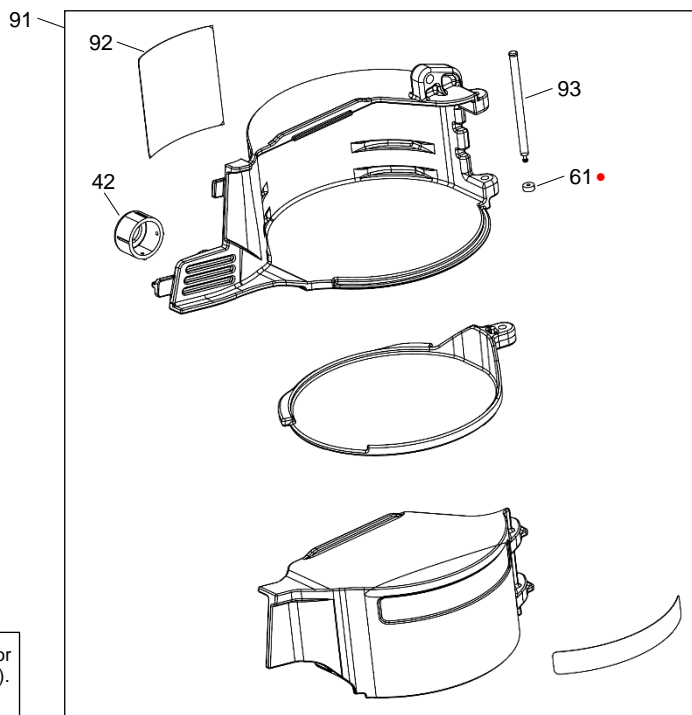
Applicable to S/Ns
1919-1949 only

* Do not use spacer 50
if piston 51 is spacer-
less type PN 919052-2

PASLODE IMPULSE IM50S MK1 COILMASTER B40001 (MK1)



| Torque Values (in/lb) | | | |
|-----------------------|--------|------|--------|
| Item | Torque | Item | Torque |
| 68 | 30-35 | 90 | 25-30 |
| 77 | 6-8 | ▲ | 55-65 |
| 89 | 18-22 | | |



All parts sold as single items unless described as a pack, set or forms part of an assembly (multiple items defined within a box). A part with no item number is only available in an assembly.

- Service Kit Item
- Loctite® 242

PARTS LEGEND

PASLODE IM50S MK1 COILMASTER

B40001 (MK1)

| | | | | | | | |
|----|--------|---|--|----------|---|--|---------------------------------|
| 1 | 919042 | 1 Grill | → 51 | 919052-2 | 1 Piston, Feed (2020 Spec. No Spacer required) (RPLS 919052, 919052-1, 919140) | | |
| * | 2 | 900455 | 1 Filter | 52 | 919102 | 1 Pawl, Feed | |
| 3 | 901065 | 4 Screw SHC 10-24 x 1-1/4 | ● | 53 | 503207 | 2 Pin, Feed Pawl | |
| 4 | 919040 | 1 Cap | *● | 54 | 503242 | 1 O-ring, Feed Piston | |
| 5 | 900902 | 3 Screw TF SEMS 8-32 x 5/8 | → | 55 | 919096-1 | 1 Spring, Feed Piston (RPLS 919069) | |
| 6 | 902637 | 1 Limiter | → | 56 | 919069-1 | 1 Electromagnet (RPLS 919069) | |
| 7 | 902644 | 1 Motor Assembly, Fan | 57 | 904540 | 1 Bumper, Electromagnet | | |
| 8 | 900287 | 1 Spark Plug Assembly | 58 | 919024 | 1 Housing, Electromagnet | | |
| 9 | 401356 | 1 Sleeve, Fan Motor | 59 | 919105 | 2 Screw SHC 8-32 x 3/8 | | |
| 10 | 904517 | 1 Fuel Barb | 60 | 919141 | 1 Gate & Check Pawl Assembly | | |
| ● | 11 | 904546 | 1 Fuel Tube | ● | 61 | 515434 | 2 Ring, Retaining PU |
| 12 | 902405 | 1 Fuel Block | ● | 62 | 502989 | 1 Ring, Retaining PU | |
| 13 | 904521 | 1 Pivot Arm, Fuel Tube | 63 | 502999 | 1 Spring, Gate | | |
| 14 | 919025 | 1 Cylinder Head | 64 | 503202 | 1 Sleeve, Gate Hinge | | |
| *● | 15 | 919067 | 4 Seal Ring, Cylinder Head and Sleeve | 65 | 503203 | 1 Pin, Gate Hinge | |
| 16 | 403167 | 1 Fan Blade Assembly | 66 | 919066 | 1 Fuel Door Assembly | | |
| 17 | 919048 | 1 Air Dam | 67 | 919026 | 1 Lever, Fuel Dosing | | |
| 18 | 919062 | 1 Combustion Chamber Assembly | 68 | 919116 | 2 Screw SHC 8-32 x 3/8 | | |
| ■ | 19 | 900969 | 4 Screw 8-32 x 5/8 | 69 | 919115 | 2 Bush | |
| *● | 20 | 919045 | 1 O-Ring | 70 | 919037 | 1 Handle RH | |
| ■ | 21 | 919065 | 4 Screw TX SEMS 8-32 x 1/4 | 71 | 900662 | 1 Wire Harness, ESU | |
| 22 | 919028 | 1 Bracket, Chamber Lockout | 72 | 904717 | 1 Electronic Spark Unit (ESU) | | |
| 23 | 919004 | 1 Ring, Retaining Circlip | 73 | 919092 | 2 Nut, Nyloc 10-24 | | |
| * | 24 | 919005 | 1 Driver & Piston Assembly | 74 | 901095 | 1 Slide Switch Assembly | |
| *● | 25 | 900612 | 2 Seal Ring, Piston | 75 | 919068 | 1 Circuit Board Assembly | |
| 26 | 919125 | 1 Sleeve Assembly | 76 | 918903 | 2 Pad, Foam (Battery) | | |
| ■ | 27 | 900595 | 4 Screw TX SEMS 8-32 x 3/8 | 77 | 404702 | 3 Screw TF 6-19 x 3/8 | |
| 28 | 919010 | 1 Cover, Muffler | 78 | 919120 | 1 Trigger Assembly | | |
| *● | 29 | 919049 | 1 Muffler | 79 | 903728 | 1 Wire Lead Assembly, Spark | |
| *● | 30 | 919009 | 1 Reed Valve | 80 | 919063 | 1 Wire Lead Assembly, Fan Motor | |
| 31 | 919011 | 1 Reed Plate | → | 81 | 919075A | Hook Assembly Kit, Belt/Rafter (RPLS 919076, 919078, 919079) | |
| 32 | 919016 | 1 Baffle, Exhaust | 82 | 919075 | 1 Hook, Belt/Rafter | | |
| *● | 33 | 919014 | 1 Seal, Exhaust | 83 | 919077 | 1 Block, Belt/Rafter Hook | |
| *● | 34 | 919017 | 1 O-Ring | 84 | 904532 | 1 Retainer, Trigger & Wire Lead | |
| * | 35 | 919012 | 1 Bumper | 85 | 904705 | 1 Housing, Lockout | |
| 36 | 919142 | 1 Housing Assembly | 86 | 904707 | 1 Spring, Lockout | | |
| 37 | 919046 | 1 Spring, Yoke | 87 | 919095 | 1 Pin, Lockout | | |
| 38 | 919123 | 1 Yoke Assembly | 88 | 919036 | 1 Handle LH | | |
| 39 | 018956 | 1 Wheel, Depth Adjustment | 89 | 901066 | 4 Screw TF TX 8-16 x 3/4 | | |
| ● | 40 | 919110 | 1 O-Ring, Retaining | 90 | 919093 | 2 Screw 10-24 | |
| 41 | 919124 | 1 Probe Assembly | 91 | 919031 | 1 Magazine Assembly | | |
| * | 42 | 576340 | 2 No Mar Tip | ** | 92 | 919083 | 1 Label, Data Plate and Warning |
| ■ | 43 | 919108 | 4 Screw SHC SEMS 1/4-20 x 7/8 | 93 | 919055 | 1 Pin, Magazine Hinge | |
| → | 44 | 919022 | 1 Nose Assembly (2020 Spec. No Spacer) | * | 94 | 010031 | AR Service Kit |
| 45 | 503244 | 1 Spring, Latch | → | 95 | 1X5005 | AR Electromagnet Upgrade Kit (Applicable to SNs 1919-1935 only) | |
| 46 | 503213 | 1 Latch | → | 96 | 919179 | AR Electromagnet Upgrade Kit (Applicable to SNs 1919-1947 only) | |
| 47 | 919104 | 1 Washer, Flat 6-32 | | | | | |
| ■ | 48 | 919103 | 1 Screw SHC 6-32 x 0.375 | | | | |
| *● | 49 | 503231 | 1 O-Ring, Feed Piston Shaft | | | | |
| 50 | 919140 | 1 Spacer, Feed Piston (Pre spacer-less Feed Piston 919052-2) | | | | | |

* Normal Wear Item

** Ensure Warning Label is affixed and legible

● Included in Service Kit

■ Apply Loctite® 242 (Blue)

→ New Change

AR As Required

NS Not Shown

Remove battery & brads before comencing service.

Use eye and ear protection when operating/testing tools.

Use eye protection when cleaning tools.

Use degreaser in a well ventilated area.



**WARNING: All parts must be periodically inspected and replaced if worn or damaged.
Failure to comply can affect the tool's operation and present a safety hazard.**

ACCESSORIES

Battery

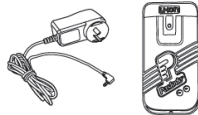
Part No. B20543A



Battery Charger system
(Australia/New Zealand)

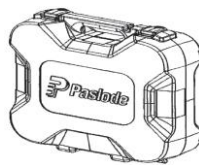
Battery Charger Kit (Shown)
Transformer
Charger Base

Part No. B20543B
Part No. B20543C
Part No. 902661



Carry Case

Part No. 919143



9/64" Hex Key
5/32" Hex Key
Maintenance tools

Part No. 900736
Part No. 401331



T7 Torx Key
For Fan grub screw

Commercially Available



Paslode Impulse
Lubricating Oil
Specially formulated for use in
Paslode® Impulse tools.

Part No. B20544F



Impulse Tool
Cleaner/Degreaser
Recommended cleaner for all
Paslode®

Part No. B20544L




Ingleburn, Australia
www.paslode.com.au


Auckland, New Zealand
www.paslode.co.nz

Revision Change Notes

Revision 1

| Item | Part No. | Items/Description | Change | Action/Change Description |
|------|----------|-------------------------|--------------|---|
| 53 | 503207 | Pin (Pawl) | Availability | Added x 2 to Service Kit 010031 (Oct19) |
| 95* | 919140 | Door Assembly, Magazine | | POA ¹ 91, Magazine Assembly 919031. Unable to provide separately due to door mated with magazine during manufacturing process. (Sep19). PN reused per below. |
| 50 | 919140 | Spacer, Feed Piston | Enhancement | Improves the alignment of the driver tip face to the nail head. Not applicable for tools or nose assemblies modified with 'spacer-less' Feed Piston 919052-2. |

¹ POA - Purchase on Assembly

*Item numbering per previous revision

Revision 2

| Item | Part No. | Items/Description | Change | Action/Change Description |
|------|----------|---|--------------|---|
| 44 | 919022 | Nose Assembly | Enhancement | Spare nose assemblies manufactured to 2020 Specifications (equipped with Feed Piston 919052-2 which does not require spacer 50). Upgraded electromagnet & spring required for SNs 1919-1935. |
| 51 | 919052 | Feed Piston (9mm bore) | Availability | Replaced by 919052-1 due electromagnet upgrade. |
| | 919052-1 | Feed Piston (7mm bore) | | Replaced by 919052-2 due spacer incorporation. Never sold as a spare part. |
| | 919052-2 | Feed Piston (7mm bore) (2020 Spec. spacer-less) | Enhancement | Inside shoulder height increased by 1mm to eliminate the requirement for spacer 50 (919140). Identifiable by white stripes on shaft beside pawl slot or by the overall piston height = 9.63 ± 0.5 |
| 55 | 919096 | Spring (9mm dia) | Availability | Replaced by 919096-1 due electromagnet upgrade. |
| | 919096-1 | Spring (7mm dia) | | Introduced due electromagnet upgrade. |
| 56 | 919069 | Electromagnet (9mm bore) | Enhancement | Replaced by 919069-1. |
| | 919069-1 | Electromagnet (7mm bore) | | Magnet to piston surface contact area increased for greater retention. |
| 95 | 1X5005 | Electromagnet Upgrade Kit | Availability | Introduced due electromagnet upgrade. Applicable to SNs 1919-1935 only. |

Revision 3

| Item | Part No. | Items/Description | Change | Action/Change Description | |
|------|----------|---|--------------|--|--|
| 18 | 919062 | Combustion Chamber Assy | Enhancement | Dosing lever tangs on ring bevelled to remove sharp edge. Rolling change – PN not effected. | |
| 28 | 919010 | Muffler Cover | | Retention tangs added to eliminate muffler migration. Rolling change – PN not effected. | |
| 80* | 919079 | Nut BH | Availability | POA ¹ 81, Belt/Rafter Hook Assembly 919075A | |
| 81* | 919076 | Button, Belt/Rafter Hook | | | |
| 83* | 919078 | Spring | | | |
| 81 | 919075A | Belt/Rafter Hook Assembly (RPLS 919076, 919078, 919079) | | | Introduction of assembly |
| 96 | 919179 | Rigid Dosing Upgrade Kit | | | Introduced upgrade to 2020 tool specification. Applicable to SNs 1919-1935 only. |
| N/A | Various | Assembly/Numbering | Schematic | Added Belt/Rafter Hook Assembly Kit Added Electromagnet Upgrade Kit Re-numbered from item 50 | |
| N/A | Various | Parts/Information | Parts Legend | Added Belt/Rafter Hook Assembly Kit Re-numbered from item 50 | |

¹ POA - Purchase on Assembly

*Item numbering per previous revision