



**PNEUMATIC CNW70.1
COIL NAILER
B21095 (MK1)**
(Tool Labelled CNW70)

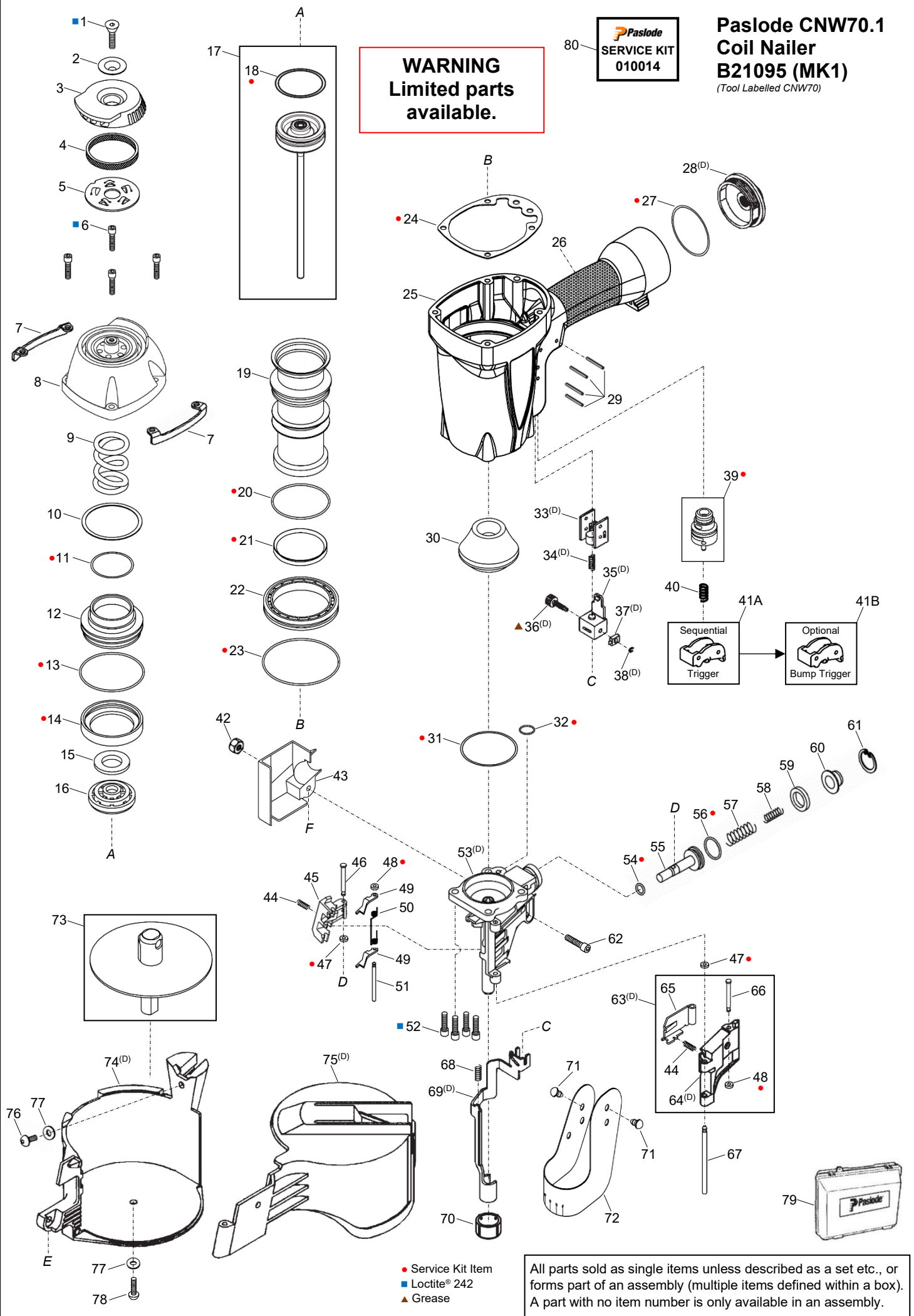


ILLUSTRATED PARTS LIST

Paslode
SERVICE KIT
010014

Paslode CNW70.1
Coil Nailer
B21095 (MK1)
(Tool Labelled CNW70)

WARNING
Limited parts
available.



- Service Kit Item
- Loctite® 242
- ▲ Grease

All parts sold as single items unless described as a set etc., or forms part of an assembly (multiple items defined within a box). A part with no item number is only available in an assembly.

PARTS LEGEND

PASLODE CNW70.1 COIL NAILER

B21095 MK1

■ 1	613001	1	Screw FH M6 X 20	→ 42	613207	1	Nut, Lock M5 (RPLS 615938, 070545 x 1)
2	613002	1	Bracket, Front	43	613062	1	Cover, Nose
3	613003	1	Cover, Exhaust	44	613045	2	Spring
4	613004	1	Filter, Exhaust	45	613046	1	Pawl, Feed
5	613005	1	Plate, Exhaust Filter	46	613044	1	Pin, Step
■ 6	623149	4	Screw SHC	47	613034	2	Ring, PU Retaining (Large)
7	613006	2	Protector	48	613047	2	Ring, PU Retaining (Small)
8	613007	1	Cap	49	613048	2	Pawl, Check
9	613008	1	Spring	50	613049	1	Spring
10	613009	1	Washer	51	613050	1	Pin, Step
*● 11	613010	1	O-Ring	■ 52	405312	4	Screw SHC
12	613011	1	Piston, Main Valve	→ 53		1	Nose (Discontinued)
*● 13	613012	1	O-Ring	*● 54	613036	1	O-Ring
*● 14	613013	1	Seal, Cylinder	55	613037	1	Piston, Feed
15	613014	1	Washer	*● 56	613038	1	O-Ring
16	613015	1	Stopper, Piston	57	613039	1	Spring
* 17	613017	1	Driver & Piston Assy	58	613040	1	Spring
*● 18	613016	1	O-Ring, Piston	59	613041	1	Bumper, Feed Piston
19	613018	1	Cylinder	60	613042	1	Collar, Spring
*● 20	613019	1	O-Ring	61	613043	1	Circlip
*● 21	613020	1	Check Band	62	166063	1	Screw SHC
22	613021	1	Bulkhead	→ 63		1	Gate Assembly (Discontinued)
*● 23	613022	1	O-Ring	→ 64		1	Gate (Discontinued)
*● 24	613023	1	Gasket	65	613074	1	Tensioner/Ratchet
25	613024	1	Body	66	613073	1	Pin, Step
26	613028	1	Grip, Rubber	67	613033	1	Pin, Step
*● 27	613029	1	O-Ring	68	613060	1	Spring
→ 28		1	Cap, Air Inlet (Discontinued)	→ 69		1	Probe (RPLS 613061) (Discontinued)
29	613031	4	Pin, Roll	70	613228	1	No Mar Tip (RPS 613076)
* 30	613026	1	Bumper	71	613064	2	Insert, Cover Retaining
*● 31	613027	1	O-Ring	72	613063	1	Cover, Debris
*● 32	613025	1	O-Ring	73	613065	1	Adjustment Assy, Nail Coalition
→ 33		1	Guide, Trip (Discontinued)	→ 74		1	Magazine (Discontinued)
→ 34		1	Spring (Discontinued)	→ 75		1	Door, Magazine (Discontinued)
→ 35		1	Body, Trip Guide (Discontinued)	76	615942	1	Screw UH
→ 36		1	Screw, Adjustment (Discontinued)	→ 77	070545	2	Washer, Flat
→ 37		1	Nut Plate, Adjustment	78	613071	1	Screw UH
→ 38		1	E-Ring (Discontinued)	79	613272	AR	Carry Case
*● 39	613124	1	Valve Assy, Trigger (RPLS 613052 & 613078)	80	010014	AR	Service Kit
→ 40	613212	1	Spring (RPLS 613053)				
41A	613095	1	Trigger Assy, Sequential (Grey)				
41B	613096	1	Trigger Assy, Bump Fire (Orange)				

- * Normal Wear Items
- Included in Service Kit
- Apply Loctite® 242 (Blue)
- New Change
- AR As Required



Use eye protection when cleaning tools.
Use eye and ear protection when operating/testing tools.
Use degreaser in a well ventilated area

Use only approved Paslode Compressor Tool Oil PN F27625.
Never use mineral based oils.
Oil tool daily with 4 to 6 drops via air inlet connection.
Heavy usage will require more frequent oiling.

Operating air pressure at the tool inlet: 480-760 kpa (70-110 psi)
Never exceed the maximum stated air pressure.
Regularly check the regulator and pressure gauge operation.

A water/oil trap must be installed on the regulator outlet and drained regularly.

Never use bottled air or gases such as oxygen to operate the tool.



WARNING: All parts must be periodically inspected and replaced if worn or damaged.
Failure to comply can affect the tool's operation and present a safety hazard.

Change Notes

Revision 0

Item	Part No.	Item Description	Change	Action/Change Description
N/A	613000	Cap Assembly	Availability	Non-procurable AU
	613032	Nose Assembly		

*Item numbering per previous revision

Revision 1

Item	Part No.	Item Description	Change	Action/Change Description
39	613052	Trigger Valve Assy	Manufacturing	Replaced by 613078 (Superseded)
	613078			Replaced by 613124
	613124			Replaces 613052 & 613078

*Item numbering per previous revision

Revision 2

Item	Part No.	Item Description	Change	Action/Change Description
54*	613053	Spring	Manufacturing	Replaced by (40) 613212
67*	400828	Roll Pin	Availability	POA ¹ 80, Nail Coalition Adjustment Assy, 613065
68*	613066	Nail Coalition Support		
69*	613067	Spring		
70*	613068	Set Shaft		
71*	613069	Slide Rod		
73*	615938	Lock Nut		
74*	070545	Flat Washer x 1	Design	Not required when using Lock Nut (42) 613207
28	613030	Air Inlet Cap	Availability	Discontinued
33	613055	Guide, Trip		
34	613056	Spring		
35	613058	Trip Guide Body		
36	613057	Adjustment Screw		
37	613059	Adjustment Nut Plate		
38	613080	E-Ring		
53	613035	Nose		
63	613075	Gate Assembly		
64	613051	Gate		
69	613081	Probe		
70	613076	No Mar Tip	Design	Replaced by 613228
74	613070	Magazine	Availability	Discontinued
75	613072	Door, Magazine		
N/A	Various	Assemblies/Flag Notes	Schematic	Complete layout re-design & re-numbering for clarity. Defined available assemblies Noted discontinued items
N/A	Various	Parts/Notes	Parts Legend	Re-numbered for clarity Noted discontinued items

¹ Purchase on Assembly

*Item numbering per previous revision