



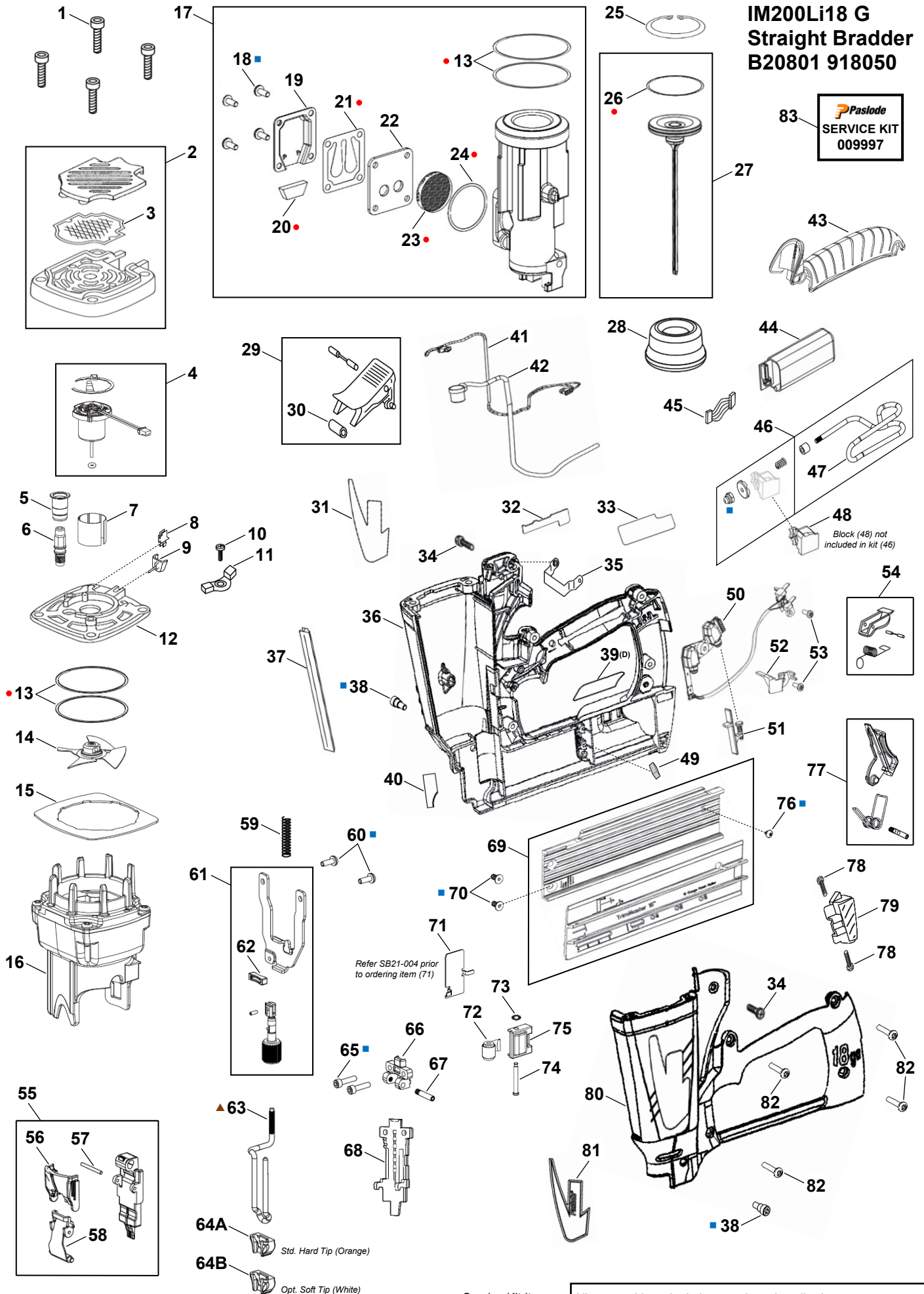
**IMPULSE IM200LI18
18G STRAIGHT
FINISH NAILER
B20801**



ILLUSTRATED PARTS LIST

IM200Li18 G Straight Bradder B20801 918050

Paslode
SERVICE KIT
009997



Refer SB21-004 prior to ordering item (71)

Block (48) not included in kit (46)

- Service Kit Item
- Loctite® 242
- ▲ Grease

All parts sold as single items unless described as a set etc., or forms part of an assembly (multiple items defined within a box). ie. A part with no item number is only available in an assembly.

PARTS LEGEND

PASLODE IM200Li18 18G Li STRAIGHT BRADDER

B20801

1	901064	4	Screw SHC 8-32 x 1-3/8	45	900662	1	Wire Harness, ESU Power
→	2	902012	1 Cap & Grill Assembly (Black) (RPLS 900801, 902011)	→	46	902471A	1 Hook Assembly, Belt (RPLS 902432, 902433, 902434)
*	3	900648	1 Filter	→	47	902471	1 Hook & Stop Assy, Belt (RPLS 902430, 902435)
→	4	901382	1 Motor Assembly, Fan (RPLS 901119)	48	902431	1 Block, Belt Hook Mounting	
	5	900785	1 Insulator, Spark Plug	→	49	902621	1 Pad, Battery
	6	900714	1 Spark Plug Assembly	50	902439	1 Circuit Board Assembly	
*	7	401356	1 Sleeve, Fan Motor	51	901095	1 Slide Switch Assembly	
	8	900674	1 Clip, Wire	52	900629	1 Clip, Spark Wire Lead	
	9	900697	1 Stem Adapter (Yellow)	→	53	404702	2 Screw PH TF 6-32 x 3/8
	10	900596	1 Screw T20 SEMS 8-32 x 7/16 (Gold, TC Red)	→	54	901082	1 Trigger Assy (RPLS 901045, 901047, 901053)
	11	900739	1 Circuit Board Assembly, Cylinder Head	→	55	901085	1 Nose Plate Assembly (RPLS 901002)
	12	900605	1 Cylinder Head	56	901009	1 Cover, Latch	
* ●	13	900612	4 Ring, Cylinder Head & Sleeve	57	900685	1 Pin, Latch Cover	
	14	900709	1 Fan Assembly	→	58	901150	1 Spring (Leaf) & Latch Yoke Assembly (RPLS 901005, 901006, 901049)
	15	900700	1 Air Dam	59	901038	1 Spring	
	16	900729	1 Combustion Chamber Assembly	■	60	900746	2 Screw T20 8-32 x 7/16 (Black)
	17	901081	1 Sleeve Assembly	→	61	903726	1 Yoke, Knob & Guide Assembly (RPLS 901037, 903710, 901049)
■	18	405140	4 Screw T20 8-32 x 3/8 (Silver, TC Red)	62	901039	1 Bumper, Yoke	
	19	900668	1 Cover, Muffler	▲	63	918946	1 Probe (RPLS 903704) →
* ●	20	900609	1 Muffler	64A	901048	1 No Mar Tip, Hard (Orange, Standard)	
* ●	21	900664	1 Reed Valve	64B	901067	1 No Mar Tip, Soft (White, Optional)	
	22	900665	1 Reed Plate	■	65	901026	2 Screw SHC 10-24 x 3/4 (TC Red)
* ●	23	901089	1 Disk, Pre-Filter Baffle	66	901004	1 Support, Nose	
* ●	24	900616	1 O-Ring, Exhaust	67	901025	1 Screw Pin (T15)	
	25	901036	1 Ring, Retaining	→	68	918948	1 Nose (RPLS 901003)
* ●	26	901040	1 Ring, Piston Sealing	→	69	918951	Magazine Base & Cover Set (RPLS 901084, 901012, 918949, 901041)
*	27	901078	1 Driver & Piston Assembly	■	70	900660	2 Screw FSHC 10-32 x 3/8 (TC Red)
*	28	901021	1 Bumper, Piston	→	71	918945	1 Follower (RPLS 901015) (Ref. SB21-004)
→	29	900788	1 Fuel Door/Actuator Assembly (RPLS 404433)	→	72	901016	1 Spring Assembly, Negator (RPLS 901017)
*	30	900755	1 Bush, Fuel Door/Actuator	73	901055	1 O-Ring, Retaining	
	31	903505	1 Label, Logo RH	74	901018	1 Pin, Negator Spring	
	32	902402	1 Label, Li-Ion+Fuel	75	901052	1 Cover, Negator Spring	
**	33	916003	1 Label, Warning	■	76	901062	1 Screw USHC 6-32 x 1/8
	34	900598	2 Screw PH SEMS 10-32 x 5/16 (TC Red)	→	77	901152	1 Latch Release Assembly, Magazine (RPLS 901019, 900353, 901014)
	35	900703	1 Bracket, Handle	78	901061	2 Screw USHC 6-32 x 3/16	
→	36	903701	1 Handle RH (RPLS 404385)	79	901013	1 End Cap, Magazine	
	37	901059	1 Channel, Handle Half Joint	80	903702	1 Handle LH	
■	38	901097	2 Screw SHC 8-32 x 1/2 (TC Yellow)	81	903506	1 Label, Logo LH	
	39	918053	NP Label, Data Plate (Unavailable)	82	901066	4 Screw T20 TF 8-16 x 3/4	
	40	902416	1 Label, Depth of Drive Indicator	83	009997	AR Service Kit	
	41	900663	1 Wire Lead Assembly, Fan Motor				
	42	903728	1 Spark Wire Lead Assy				
	43	901044	1 Grip, Soft				
	44	902440	1 Electronic Spark Unit (ESU)				

* Normal Wear Items

** Ensure Warning Label is affixed and legible

● Included in Service Kit

■ Apply Loctite® 242 (Blue)

▲ Apply grease to threads

→ New Change

AR As Required

TC Thread Coating colour

**Remove battery, fuel & brads before commencing service.****Use eye and ear protection when operating/testing tools.****Use eye protection when cleaning tools.****Use degreaser in a well ventilated area.**

**WARNING: All parts must be periodically inspected and replaced if worn or damaged.
Failure to comply can affect the tool's operation and present a safety hazard.**

ACCESSORIES

Battery

Part No. B20543A



Battery Charger system (Australia/New Zealand)

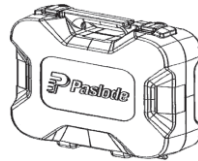
Battery Charger Kit (Shown)
Transformer
Charger Base

Part No. B20543B
Part No. B20543C
Part No. 902661



Carry Case

Part No. 905640



Replacement Latch
(Global Square Case 905640)

Part No. 219463

9/64" Hex Key

For servicing and clearing jams.

Part No. 900736



Paslode Impulse

Lubricating Oil

Specially formulated for use in
Paslode® Impulse tools.

Part No. B20544F



Impulse Tool Cleaner/Degreaser

Recommended cleaner for all
Paslode®

Part No. B20544L




www.paslode.com.au


www.paslode.co.nz

Change Notes

Revision 1

Item	Part No.	Item Description	Change	Action/Change Description
*51	900754	Screw	Correction	Pre configuration error corrected to PN 901097 (38)
*52	901032	Bush		
*60	902430	Button	Manufacturing	Typo, corrected to PN 902433
*63	902435	Stop		
*64	902430	Belt Hook		
*71	901045	Trigger	Availability	POA ¹ 54, Trigger Assembly 901082
*93	900748	Washer	Correction	Pre configuration error corrected to 900598 (34)
*94	900735	Screw		

¹ Purchase on Assembly

*Item numbering per previous revision

Revision 2

Item	Part No.	Item Description	Change	Action/Change Description
*4	902011	Cap	Availability	Replaced by Cap & Grill Assembly 902012 (2)
*27	901005	Latch Yoke		
N/A	901006	Latch Spring Clip Assembly		
*91	901017	Drum, Negator Spring		

Revision 3

Item	Part No.	Item Description	Change	Action/Change Description
*32	903704	Probe	Enhancement	Replaced by 918946 (63)
*34	901003	Nose		
*85	901012	Magazine Cover	Availability	Replaced by 918949. Superseded
N/A	918949	Magazine Cover	Enhancement	POA 69, Magazine Base & Cover Set 918951
*84	901084	Magazine Base	Availability	
*86	901015	Follower	Enhancement	Replaced by 918945 (71) (Pre 2019 tools require upgrade per SB21-004)

Revision 4

Item	Part No.	Item Description	Change	Action/Change Description
*1	900801	Grill	Availability	POA ¹ 2, Cap & Grill Assembly 902012
*5	901119	Retaining Ring		POA 4, Fan Motor Assembly 901382
*21	901037	Yoke		POA 61, Yoke, Knob & Guide Assembly 903726
*24	903710	Knob & Guide Assembly		
*28	901049	Pin		POA 55, Nose Plate Assembly 901085
*30	901002	Nose Plate		
*49	404385	Light Pipe (LED Lens)		POA 36, RH Handle 903701
*53	404922	Battery Pad (x2)		Pre configuration error corrected to PN 902621 (x1) (49)
*58	902434	Nut		POA 46, Belt Hook Assembly 902471A
*59	902433	Button		
*61	902432	Spring		
*71	901047	Pin, Trigger		POA 54, Trigger Assembly 901082
*72	901053	Spring, Trigger		
*74	404702	Screw TF 6-32 x 3/8	Correction	Added missing screw x 1 (53) for Circuit Board
*78	901019	Magazine Latch Spring	Availability	POA 77, Magazine Latch Release Assembly 901152
*79	900353	Pivot Pin		
*80	901014	Magazine Latch Release		
*95	404433	Fuel Door Actuator Pin		POA 29, Fuel Door/Actuator Assembly 900788
*96	901041	Wear Strip		POA 69, Magazine Base & Cover Assembly 918951
ACC	B20543E	12V Car Adaptor		Discontinued
N/A	Various	Assemblies/Flag Notes	Schematic	Defined available ANZ assemblies Added Service Kit & Kit item flags Added Loctite® & grease flags
		Parts/Notes	Parts Legend	Removed parts no longer available separately Added missing assembly PNs Added Service Kit & Kit item flags Adopted conventional naming Updated Loctite® and item usage
		Accessories	Accessories	Defined available ANZ Accessories Removed 12V Car Adaptor Removed No Mar Tips to Parts Legend (65A & 65B)

¹ Purchase on Assembly

*Item numbering per previous revision