



**IMPULSE IM200F18  
18G Nc STRAIGHT  
FINISH NAILER  
B20800**



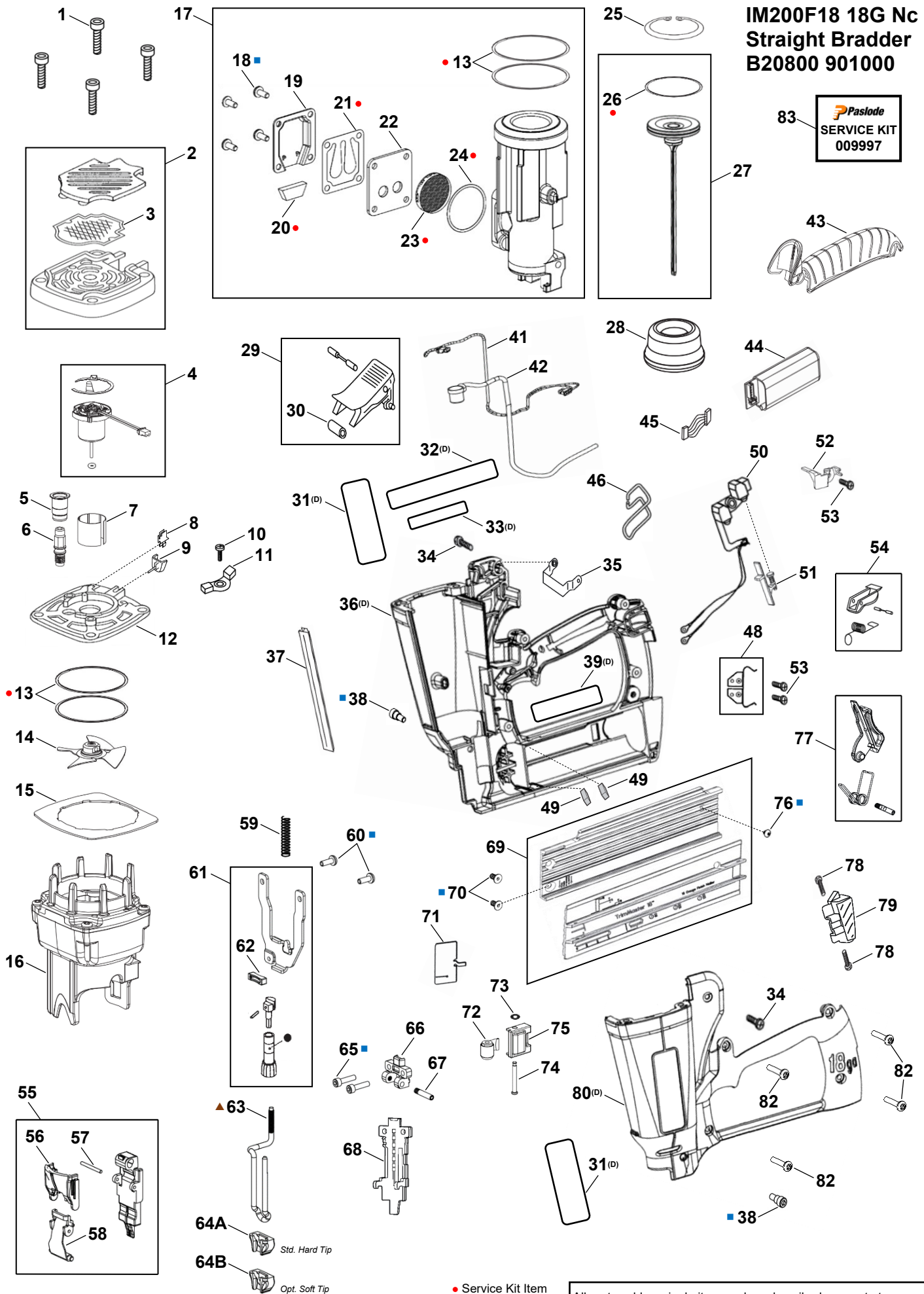
---

**ILLUSTRATED PARTS LIST**

---

# IM200F18 18G Nc Straight Bradder B20800 901000

**Paslode**  
SERVICE KIT  
009997



- Service Kit Item
- Loctite® 242
- ▲ Grease
- (D) Discontinued

All parts sold as single items unless described as a set etc., or forms part of an assembly (multiple items defined within a box). ie. A part with no item number is only available in an assembly.

## PARTS LEGEND

## PASLODE IM200F18 18G Nc STRAIGHT BRADDER

B20800

1	901064	4	Screw SHC 8-32 x 1-3/8	46	900289	1	Hook, Belt
→ 2	902012	1	Cap & Grill Assembly (Black) (RPLS 900640, 900639, 900961)	47	N/A		
* 3	900648	1	Filter	→ 48	219496	1	Contact Kit, RH+/LH- (RPLS 900311, 900312, 903003, 903004)
→ 4	901382	1	Motor Assembly, Fan (RPLS 901119)	49	404922	2	Pad, Battery Contact
5	900785	1	Insulator, Spark Plug	50	901050	1	Circuit Board Assembly
6	900714	1	Spark Plug Assembly	51	901095	1	Slide Switch Assembly
* 7	401356	1	Sleeve, Fan Motor	52	900629	1	Clip, Spark Wire Lead
8	900674	1	Clip, Wire	53	404702	3	Screw PH TF 6-32 x 3/8
9	900697	1	Stem Adapter (Yellow)	→ 54	901082	1	Trigger Assembly (RPLS 901045, 900608, 901047, 901053)
10	900596	1	Screw T20 SEMS 8-32 x 7/16 (Gold, TC Red)	→ 55	901085	1	Nose Plate Assembly (RPLS 901002)
11	900739	1	Circuit Board Assembly, Cylinder Head	56	901009	1	Cover, Latch
12	900605	1	Cylinder Head	57	900685	1	Pin, Latch Cover
* ● 13	900612	4	Ring, Cylinder Head & Sleeve	→ 58	901150	1	Spring (Leaf) & Yoke Assembly (RPLS 901005, 901006, 901049)
14	900709	1	Fan Assembly	59	901038	1	Spring
15	900700	1	Air Dam	■ 60	900746	2	Screw T20 8-32 x 7/16 (Black)
16	900729	1	Combustion Chamber Assembly	→ 61	901086	1	Yoke, Knob & Guide Assy (RPLS 901037, 901029, 900734, 900645, 900361, 900727)
17	901081	1	Sleeve Assembly	62	901039	1	Bumper, Yoke
■ 18	405140	4	Screw T20 8-32 x 3/8 (Silver, TC Red)	▲ 63	901007	1	Probe
19	900668	1	Cover, Muffler	64A	901048	1	No Mar Tip, Hard (Standard)
* ● 20	900609	1	Muffler	64B	901067	1	No Mar Tip, Soft (Optional)
* ● 21	900664	1	Reed Valve	■ 65	901026	2	Screw SHC 10-24 x 3/4 (TC Red)
22	900665	1	Reed Plate	66	901004	1	Support, Nose
* ● 23	901089	1	Disk, Pre-Filter Baffle	67	901025	1	Screw Pin (T15)
* ● 24	900616	1	O-Ring, Exhaust	→ 68	918948	1	Nose (RPLS 901003)
25	901036	1	Ring, Retaining	→ 69	918951	1	Magazine Base & Cover Assembly (RPLS 901012, 901084)
* ● 26	901040	1	Ring, Piston Sealing	■ 70	900660	2	Screw FSHC 10-32 x 3/8 (TC Red)
* 27	901078	1	Driver & Piston Assembly	71	901015	1	Follower
* 28	901021	1	Bumper, Piston	72	901016	1	Spring Assembly, Negator
29	900788	1	Fuel Door/Actuator Assembly	73	901055	1	O-Ring, Retaining
* 30	900755	1	Bush, Fuel Door/Actuator	74	901018	1	Pin, Negator Spring
→ 31			NP Label, Logo (Discontinued)	75	901052	1	Cover, Negator Spring
→ 32			NP Label, Warn. & Instruction (Discontinued)	■ 76	901062	1	Screw USHC 6-32 x 1/8
→ 33			NP Label, Data Plate (Discontinued)	→ 77	901152	1	Latch Release Assembly, Magazine (RPLS 901019, 900353, 901014)
34	900598	2	Screw PH SEMS 10-32 x 5/16 (TC Red)	78	901061	2	Screw USHC 6-32 x 3/16
35	900703	1	Bracket, Handle	79	901013	1	End Cap, Magazine
→ 36			NP Handle RH (Discontinued)	80		1	Handle LH (Discontinued)
37	901059	1	Channel, Handle Half Joint	81	N/A		
■ 38	901097	2	Screw SHC 8-32 x 1/2 (TC Yellow)	82	901066	4	Screw T20 TF 8-16 x 3/4
→ 39			NP Label, Warning (Discontinued)	83	009997	AR	Service Kit
40	N/A						
41	900663	1	Wire Lead Assembly, Fan Motor				
42	900765	1	Spark Wire Lead Assy				
43	901044	1	Grip, Soft				
44	900672	1	Electronic Spark Unit (ESU)				
45	900662	1	Wire Harness, ESU Power				

\* Normal Wear Items

\*\* Ensure Warning Label is affixed and legible

● Included in Service Kit

■ Apply Loctite® 242 (Blue)

▲ Apply grease to threads

→ New Change

AR As Required

NP Non Procurable

TC Thread Coating Colour

**Remove battery, fuel & brads before commencing service.****Use eye and ear protection when operating/testing tools.****Use eye protection when cleaning tools.****Use degreaser in a well ventilated area.**

**WARNING: All parts must be periodically inspected and replaced if worn or damaged.  
Failure to comply can affect the tool's operation and present a safety hazard.**

# ACCESSORIES

---

## Battery

Part No. B20544E



---

## Battery Charger system (Australia/New Zealand)

Battery Charger Kit (Shown)  
Transformer  
Charger Base

Part No. B20544B  
Part No. B20544C  
Part No. B20544D



---

## Carry Case

Part No.(Discontinued)



Replacement Latch  
(Oval Case)

Part No. 219233

---

## 9/64" Hex Key

For servicing and clearing jams.

Part No. 900736



---

## Paslode Impulse Lubricating Oil

Specially formulated for use in  
Paslode® Impulse tools.

Part No. B20544F



---

## Impulse Tool Cleaner/Degreaser

Recommended cleaner for all  
Paslode®

Part No. B20544L



---

  
www.paslode.com.au

  
www.paslode.co.nz

## Change Notes

### Revision 1

Item	Part No.	Item Description	Change	Action/Change Description
*7	900716	Tension Reliever Cover	Manufacturing	Replaced by Fan Motor Assembly 901382 (4)
*9	900468	Washer, Motor Shaft		
*10	900647	Retaining Ring		
*11	900624	Motor Mount		
*12	900646	Wave Washer		Replaced by SEMS Screw 405140 (18)
*17	405141	Screw		
*53	404468	Lock Washer		Obsolete. Screw 901061 converted to SEMS (78)
*65	901072	Washer, Flat		

<sup>1</sup>Purchase on Assembly

\*Item numbering per previous revision

### Revision 2

Item	Part No.	Item Description	Change	Action/Change Description
*5	900639	Cap (Orange)	Availability	Replaced by 900961, Cap & Grill Assy (Orange) Superceded R4
*56	901111	Label, Logo	Design	Replaced by ANZ label 900651 (31) Discontinued R4
*57	901100	Label, Data Plate		Replaced by ANZ label 901060 (33) Discontinued R3
*71	900754	Screw 8-32 x 1/2 (Yellow)	Manufacturing	Replaced by Shoulder Screw 901097 (38)
*72	901032	Bush		
*83	900748	Washer		
*84	900735	Screw		Replaced by SEMS Screw 900598 (34)
*102	900608	Trigger Bush	Correction	Added missing PN. Discontinued R3
*105	404702	Screw		Added missing graphics for contact screws (53)
*107	903003	Contact, Positive RH	Manufacturing	Replaced by 900312. Superceded R3
*108	903004	Contact, Negative LH		Replaced by 900311. Superceded R3
*109	901041	Wear Strip	Availability	POA <sup>1</sup> *73, Magazine Base Assembly 901084 Superceded R4
N/A	901083	Spark Unit & Grip Assy		Discontinued. Available separately (items 44 & 43)

<sup>1</sup>Purchase on Assembly

\*Item numbering per previous revision

### Revision 3

Item	Part No.	Item/Description	Change	Action/Change Description	
*1	900640	Grill (Orange)	Availability	Replaced by Grill (Black) 900801 Superceded R4	
*27	901037	Yoke		POA <sup>1</sup> 61, Yoke, Knob & Guide Assy 901086	
*29	901029	Guide, Yoke			
*30	900734	Pin, Roll			
*31	900645	Ball, Detent			
*32	900361	Clip, Retaining			
*33	900727	Knob & Guide Assembly			
*36	901005	Yoke, Latch Spring			POA 58, Latch Spring & Yoke Assembly 901150
*37	901049	Pin			
*38	901006	Spring (Leaf) Assembly			
*39	901002	Nose Plate			POA 55, Nose Plate Assembly 901085
*57	901060	Label, Data Plate			Discontinued
*61	901019	Magazine Latch Spring			POA 77, Magazine Latch Release Assembly 901152
*62	900353	Pivot Pin			
*63	901014	Magazine Latch Release			
*82	901017	Drum, Negator Spring			POA 72, Negator Spring Assembly 901016
*90	404433	Fuel Door/Actuator Pin			POA 29, Fuel Door/Actuator Assembly 900788
*101	901045	Trigger			POA 54, Trigger Assembly 901082
*102	900608	Trigger Spring Bush			
*103	901047	Trigger Pin			
*104	901053	Trigger Spring			
*107	900312	Contact, Positive RH	Replaced by Contact Kit, RH+/LH- 219496 (48)		
*108	900311	Contact, Negative LH			
*109	404702	Screw TF 6-32 x 3/8	Format	Reinstated missing item	
Acc	B20544H	12V Car Adapter	Availability	Discontinued	
Acc	900751	Carry Case			
N/A	Various	Assemblies/Flag Notes	Schematic	Defined available ANZ assemblies Added Service Kit & Kit item flags Added Loctite® & grease flags	
		Parts/Notes	Parts Legend	Removed parts no longer available separately Added missing/new assembly PNs Added Service Kit & Kit item flags Updated PN changes Adopted conventional naming Updated Loctite® and item usage	
		Accessories	Accessories	Defined available ANZ Accessories Removed 12V Car Adapter Discontinued Carry Case Added Carry Case Latch PN Added 9/64 Hex Key Moved No Mar Tips to Parts Legend	

<sup>1</sup> Purchase on Assembly

\*Item numbering per previous revision

## Revision 4

Item	Part No.	Item/Description	Change	Action/Change Description
1*	900801	Grill (Black)	Availability	POA <sup>1</sup> 2, Cap & Grill Assy (Black) 902012
5*	900961	Cap & Grill Assy (Orange)		Replaced by Cap & Grill Assy (Black) 902012 (2)
6*	901119	Ring, Retaining		POA 4, Fan Motor Assembly 901382
58*	404385	Pipe, Light (LED Lens)		Discontinued
31	900651	Label, Logo		
32	900508	Label, Warning & Instruction		
36	901079	Handle RH		
39	900496	Label, Warning		Replaced by 918948
68	901003	Nose		
*73	901084	Magazine Base		POA 69, Magazine Base & Cover Assembly 918951
*76	901012	Magazine Cover		
80	901080	Handle LH	Discontinued	
N/A	Various	Assemblies/Layout	Schematic	Complete layout change for clarity Refined available ANZ assemblies Defined discontinued parts
		Parts	Parts Legend	Removed parts no longer available separately Updated PN changes Defined discontinued parts Re-numbered for clarity

<sup>1</sup>Purchase on Assembly

\*Item numbering per previous revision