



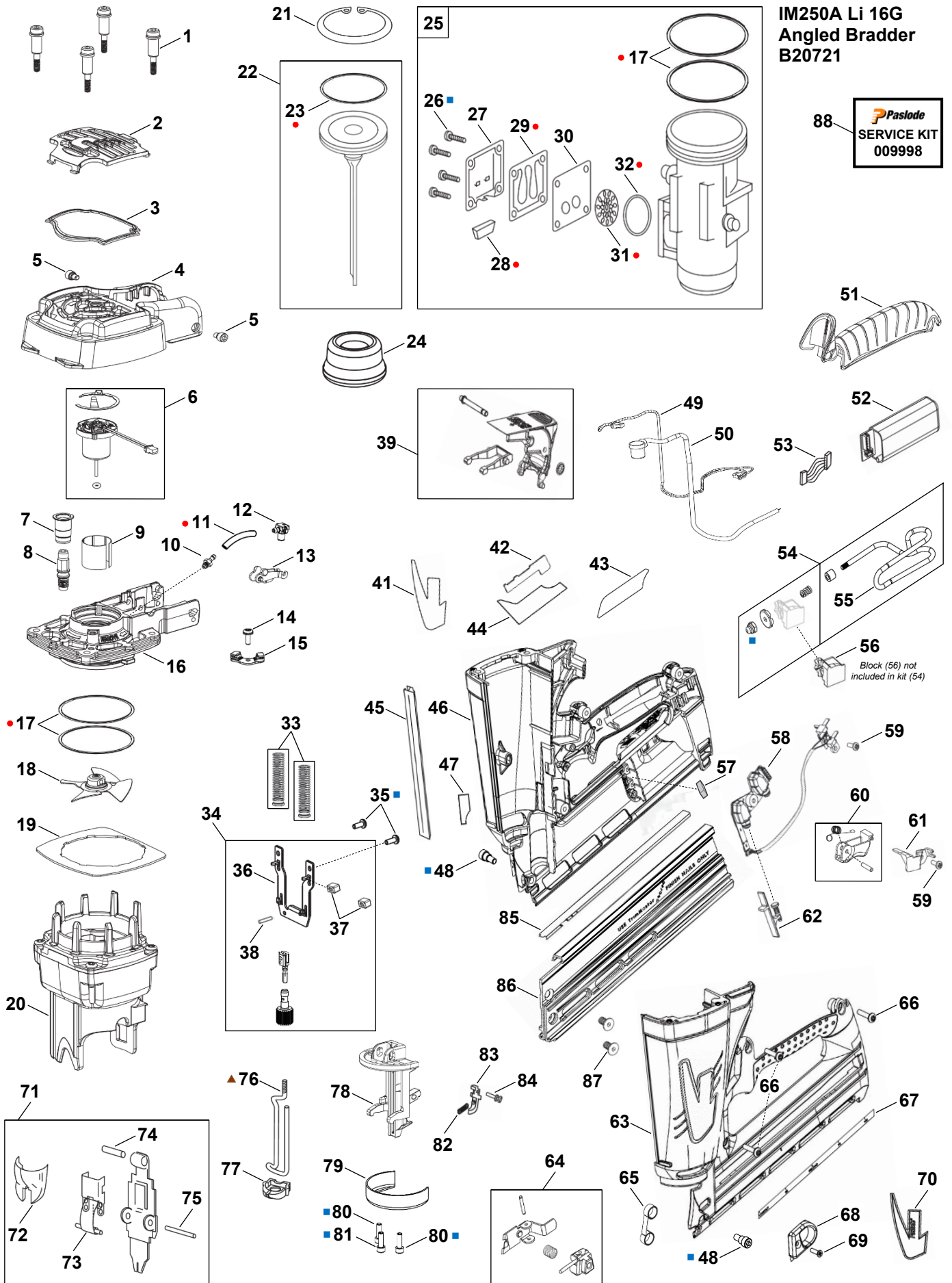
**IMPULSE IM250A Li
16G ANGLED
FINISH NAILER
B20721**



ILLUSTRATED PARTS LIST

**IM250A Li 16G
Angled Bradder
B20721**

88  **SERVICE KIT
009998**



- Service Kit Item
- Loctite® 242
- ▲ Grease

All parts sold as single items unless described as a set etc., or forms part of an assembly (multiple items defined within a box). ie. A part with no item number is only available in an assembly.

PARTS LEGEND

PASLODE IMPULSE Li ANGLED 16 GAUGE BRADDER

B20721

1	901064	4	Screw SHC 8-32 x 1-3/8	46	903501	1	Handle RH
2	904555	1	Grill	47	902416	1	Label, Depth of Drive Indicator
* 3	900648	1	Filter	■ 48	900792	2	Screw SHC 8-32 x 15/32 (Yellow)
4	902446	1	Cap	49	904562	1	Wire Lead Assembly, Fan Motor
5	904557	2	Screw SHC (Yellow)	50	904567	1	Spark Wire Lead Assembly
6	901382	1	Motor Assembly, Fan	51	901044	1	Grip
7	900785	1	Insulator, Spark Plug	52	902440	1	Electronic Spark Unit (ESU)
8	900714	1	Spark Plug Assembly	53	900662	1	Wire Ribbon Assembly, ESU Power
9	401356	1	Sleeve, Fan Motor	54	902471A	1	Hook Assembly, Belt (RPLS 902432, 902433, 902434, 902435)
10	904517	1	Fuel Barb	55	902471	1	Hook & Stop Assy, Belt (RPLS 902430)
● 11	904546	1	Fuel Tube	56	902431	1	Block
12	902406	1	Fuel Block	57	902621	1	Pad, Battery
13	904521	1	Arm, Pivot	58	902439	1	Circuit Board Assembly
14	900596	1	Screw TX SEMS 8-32 x 7/16	59	404702	2	Screw TF 6-32 x 3/8
15	900739	1	Circuit Board Assy, Cylinder Head	60	901082	1	Trigger Assembly (RPLS 901047, 901053)
16	904504	1	Cylinder Head	61	900629	1	Bracket, Retaining
*● 17	900612	4	Ring, Cylinder Head & Sleeve	62	900726	1	Slide Switch Assembly
18	900709	1	Fan Assembly	63	903502	1	Handle LH
19	900700	1	Air Dam	64	900808	1	Follower Assembly (RPLS 900679, 900691, 900720, 900722)
20	900729	1	Combustion Chamber Assembly	65	900627	1	Spring, Negator
21	403099	1	Circlip, Piston	66	901066	3	Screw TX 8-16 x 3/4
* 22	900728	1	Driver & Piston Assembly	67	902417	1	Label, Nail Load Indicator
*● 23	403098	1	Ring, Piston	68	900617	1	Body, Follower
24	900680	1	Bumper, Piston	69	900724	1	Screw, PH 8-16 x 5/8
25	902456	1	Sleeve Assembly	70	903506	1	Label, Logo LH
■ 26	405140	4	Screw 8-32 x 3/8 (Red)	71	902457	1	Nose Plate Assembly
27	900668	1	Cover, Muffler	72	900688	1	Cover, Latch
*● 28	900609	1	Muffler	73	902426	1	Lever & Spring Assy, Latch
*● 29	900664	1	Reed Valve	74	900619	1	Pin, Nose Plate Assembly
30	900665	1	Reed Plate	75	900685	1	Pin, Latch
*● 31	901089	1	Disk, Pre-Filter Baffle	▲ 76	902424	1	Probe
*● 32	900616	1	O-Ring, Exhaust	* 77	902473	1	No Mar Tip (3 Pack) (RPLS 902425)
33	900804	2	Spring & Guide Assy	78	902421	1	Nose
34	902429	1	Yoke, Knob & Guide Assy (RPLS 902437)	79	900692	1	Flange, Retaining
■ 35	900746	2	Screw 8-32 x 7/16	■ 80	900708	2	Screw SHC 8-32 x 1/2 (Red)
36	900704	1	Yoke	■ 81	900754	1	Screw SHC 8-32 x 1/2 (Yellow)
37	900707	2	Bumper Stop, Probe	82	900631	1	Spring, Lockout
38	900734	1	Pin, Roll	83	900602	1	Bar, Lockout
39	904550A	1	Fuel Door Assembly (RPLS 901119, 902230, 904550, 904544)	84	900630	1	Pin, Lockout
→ 40		NP	Lever, Dosing (POA 904550A)	85	900770	1	Channel, Brad
41	903505	1	Label, Logo RH	86	902404	1	Magazine
42	902402	1	Label, Li-ion+Fuel	■ 87	900660	2	Screw 10-32 x 3/8 (Red)
43	903516	1	Label, Data Plate	88	009998	AR	Service Kit
** 44	903507	1	Label, Warning & Instruction				
45	900620	1	Channel, Handle Half Joint				

* Normal Wear Items

** Ensure Warning Label is affixed and legible

● Included in Service Kit

■ Apply Loctite® 242 (Blue)

▲ Apply grease to threads

→ New Change

AR As Required

NP Non Procurable

POA Purchase on Assembly

**Remove battery & brads before commencing service****Use eye and ear protection when operating/testing tools.****Use eye protection when cleaning tools.****Use degreaser in a well ventilated area**

**WARNING: All parts must be periodically inspected and replaced if worn or damaged.
Failure to comply can affect the tool's operation and present a safety hazard.**

ACCESSORIES

Battery

Part No. B20543A



Battery Charger system (Australia/New Zealand)

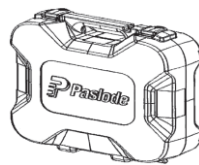
Battery Charger Kit (Shown)
Transformer
Charger Base

Part No. B20543B
Part No. B20543C
Part No. 902661



Carry Case

Part No. 905640
(RPLS 903513, 902445)



Replacement Latch
(Global Square Case 905640)

Part No. 219463

Replacement Latch
(Early Oval Case 903513, 902445)

Part No. 219233

9/64" Hex Key

For servicing and clearing jams.

Part No. 900736



T7 Torx Key

For Fan grub screw

Part No. 900183



Paslode Impulse Lubricating Oil

Specially formulated for use in
Paslode® Impulse tools.

Part No. B20544F



Impulse Tool Cleaner/Degreaser

Recommended cleaner for all
Paslode®

Part No. B20544L




www.paslode.com.au


www.paslode.co.nz

Change Notes

Revision 0

Item	Part No.	Item Description	Change	Action/Change Description
32*	902422	Nose Plate	Availability	Item not available in ANZ from release. POA 71, Nose Plate Assembly 902457
73*	901045	Trigger Body		Item not available in ANZ from release. POA 60, Trigger Assembly 901082
N/A	902460	ESU & Grip Assembly		Assembly not available in ANZ from release.
N/A	902459	Magazine & Nose Assembly		

Revision 1

Item	Part No.	Item Description	Change	Action/Change Description
27*	902437	Knob & Yoke Guide Assy	Availability	POA ¹ 34, Yoke, Knob & Yoke Guide Assembly 902429
72*	901053	Trigger Spring		POA 60, Trigger Assembly 901082
74*	901047	Trigger Pin		
86*	900722	Follower Pin		POA 64, Follower Assembly 900808
87*	900679	Follower		
88*	900691	Follower Spring		
90*	900720	Follower Core		
101*	902626	Label, Battery On-Off	Design	Obsolete (Mid 2018)
41	903505	Label, Logo RH		Embossed cushion label to flat label. No PN change
70	903506	Label, Logo LH		
52	902440	Electronic Spark Unit (ESU)	Enhancement	Rev.C (1305~1315, RPLS Rev. A-B). No PN change (2013) Rev.D (<1330, RPLS Rev. A-C). No PN change (2013)
55	902430	Belt Hook	Manufacturing	Replaced by 902471, Belt Hook & Stop Assembly
73	902426	Quick Clear Lever Assembly	Enhancement	Hollow latch pin to solid (<1542). No PN change (2015)
77	902425	No Mar Tip	Availability	Replaced by 3 Pack PN 902473 (2014)
	Various	Assemblies/Flag Notes	Schematic	Defined available ANZ assemblies Added Service Kit & Kit item flags Added Loctite® & grease flags
	Various	Parts/Notes	Parts Legend	Removed parts no longer available separately Added missing/new assembly PNs Added Service Kit & Kit item flags Updated PN changes Adopted conventional naming Updated Loctite® and item usage
	Various	Accessories	Accessories	Defined available ANZ Accessories - Updated Carry Case for new Global Case - Added Carry Case Latch PNs - Added T7 Torx Key

¹ Purchase on Assembly

*Item numbering per previous revision

Revision 2

Item	Part No.	Item Description	Change	Action/Change Description
6*	901119	Ring, Retaining (Fan motor)	Availability	POA ¹ 6, Fan Motor Assembly 901382
40	904544	Dosing Lever		POA 39, Fuel Door Assembly 904550A
51*	902230	Fuel Door Pin		
53*	904550	Fuel Door		
54*	902235	Fuel Door Retaining Ring		Introduction of Fuel Door Assembly
39	904550A	Fuel Door Assembly		
55*	902434	Nut		POA 54, Belt Hook Assembly 902471A
56*	902433	Button		
58*	902432	Spring		
59*	902435	Stop		
54	902471A	Belt Hook Assembly	Introduction of Belt Hook Assembly	
N/A	Various	Various	Schematic	Complete layout re-design & re-numbering for clarity. Defined available ANZ assemblies.
		Parts/Notes	Parts Legend	Removed parts no longer available separately

¹ Purchase on Assembly

*Item numbering per previous revision