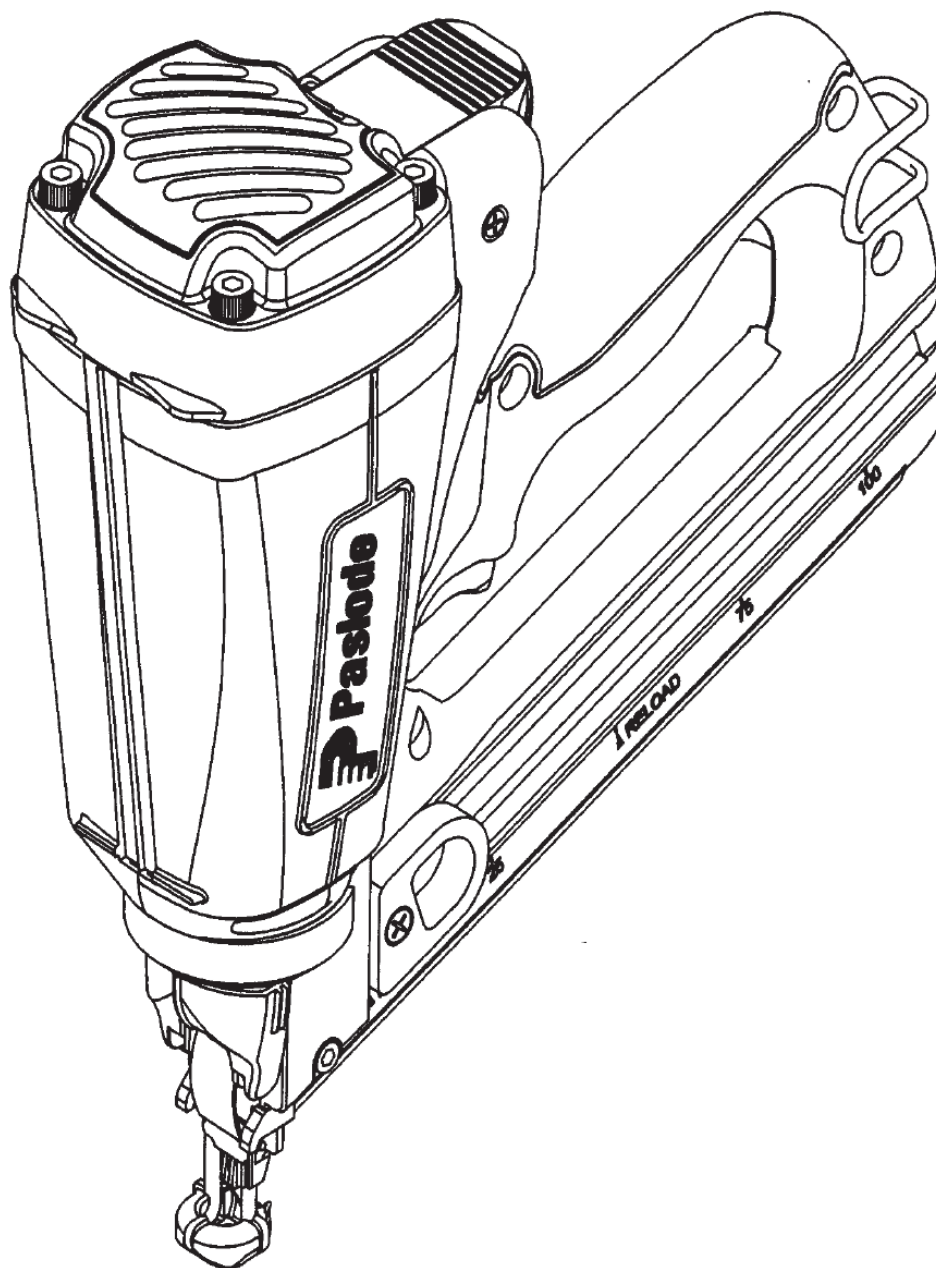




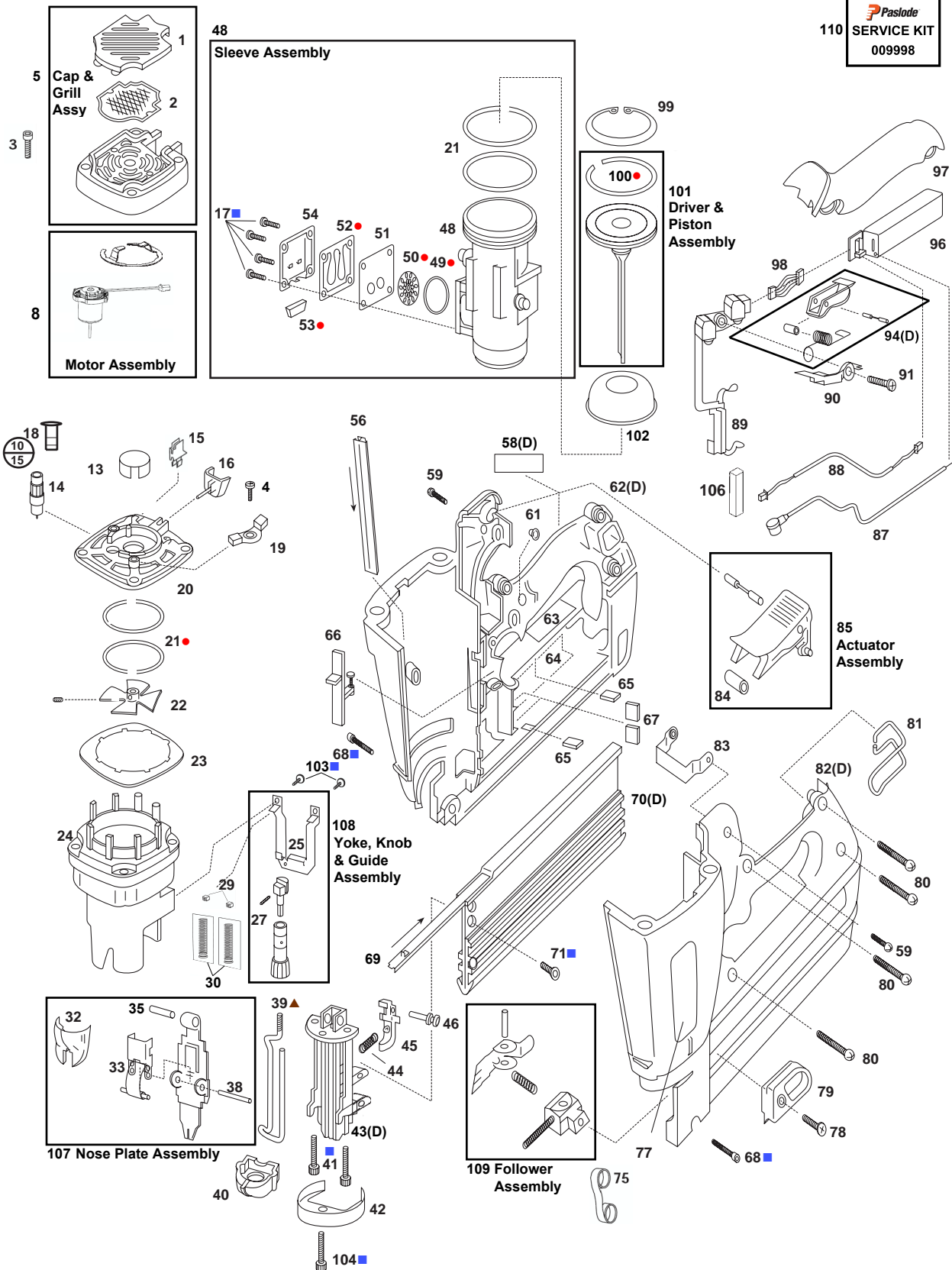
**IMPULSE IM250A
TRIMMASTER 16G Nc
ANGLED FINISH NAILER
B20720**



ILLUSTRATED PARTS LIST

Impulse IM250A TrimMaster 16G Nc Angled Finish Nailer B20720 900600

Paslode
SERVICE KIT
009998



- Service Kit Item
- Loctite® 242
- ▲ Grease
- (D) Item Discontinued

Torque Values	
MIN	in/lbs
MAX	

All parts sold as single items unless described as a pack, set etc, or forms part of an assembly (multiple items defined within a box). ie. A part with no item number is only available in an assembly.

PARTS LEGEND

PASLODE IM250A 16G Nc ANGLED FINISH NAILER

B20720

→ 1	900801	1 Grill (Black) (RPLS 900640)	56	900620	1 Channel, Handle Half Joint
* 2	900648	1 Filter	57		NP Deleted
3	901064	4 Screw SHC 8-32 x 1-3/8 (RPLS 900695, 900747)	58		NP Deleted
4	900596	1 Screw TX SEMS 8-32 x 7/16 (RPLS 404722, 405141)	59	900598	2 Screw SEMS 10-32 x 5/16 (Red) (RPLS 900735, 900748)
5	902012	1 Cap & Grill Assy (Black) (RPLS 900961)	60		NP Deleted
6		NP Deleted	61	404385	1 Pipe, Light (LED Lens)
7		NP Deleted	62		NP Deleted
8	901382	1 Motor Assembly, Fan (RPLS 900524, 900624, 900715)	** 63	900496	1 Label, Warning
9		NP Deleted	64	900508	1 Label, Warning & Instruction
10		NP Deleted	65	404922	2 Pad, Battery
11		NP Deleted	66	900726	1 Slide Switch Assembly
12		NP Deleted	67	401450	3 Pad, Foam
13	401356	1 Sleeve, Fan Motor	■ 68	900792	2 Screw 8-32 x 15/32 (Yellow) (RPLS 900745)
14	900714	1 Spark Plug Assembly	69	900770	1 Brad Channel (RPLS 900638)
15	900674	1 Wire Clip	70		NP Deleted
16	900697	1 Stem Adapter (Yellow)	■ 71	900660	2 Screw 10-32 x 3/8 (Red)
■ 17	405140	4 Screw TX 8-32 x 3/8 (Red)	72		NP Deleted
18	900785	1 Insulator, Spark Plug Sleeve	73		NP Deleted
19	900739	1 Circuit Board Assembly, Cylinder Head	74		NP Deleted
20	900605	1 Cylinder Head	75	900627	1 Spring, Negator
* ● 21	900612	4 Ring, Cylinder Head & Sleeve	76		NP Deleted
22	900709	1 Fan Assembly	77	900651	2 Label, Logo
23	900700	1 Air Dam	78	900724	1 Screw, Plastite 8-16 x 5/8
24	900729	1 Combustion Chamber Assembly	79	900617	1 Body, Follower
25	900704	1 Yoke	80	901066	4 Screw, Plastite 8-16 x 3/4
26		NP Deleted	81	900289	1 Hook, Belt
27	900734	1 Pin, Roll	82		NP Deleted
28		NP Deleted	83	900703	1 Bracket, Handle
29	900707	2 Bumper, Yoke	84	900755	1 Bush, Fuel Door/Actuator
30	900804	2 Spring & Guide Assy (RPLS 900671, 900706)	85	900788	1 Fuel Door/Actuator Assy (RPLS 900634, 404433)
31		NP Deleted	86		NP Deleted
32	900688	1 Cover, Quick Clear Latch	87	900765	1 Spark Wire Lead Assy (RPLS 900618)
33	900786	1 Lever Assy, Quick Clear (RPLS 900610, 900611, 900643)	88	900663	1 Wire Lead Assembly, Fan Motor
34		NP Deleted	89	900661	1 Circuit Board Assembly
35	900619	1 Pin	90	900629	1 Clip, Spark Wire Lead
36		NP Deleted	91	404702	1 Screw TF 6-32 x 3/8
37		NP Deleted	92		NP Deleted
38	900685	1 Pin, Latch Cover	93		NP Deleted
▲ 39	900686	1 Probe	94		NP Deleted
* 40	B20544N	1 No Mar Tip (3 Pack) (RPLS 900702)	95		NP Deleted
■ 41	900708	2 Screw SHC 8-32 x 1/2 (Red)	96	900672	1 Electronic Spark Unit (ESU)
42	900692	1 Retaining Cup	97	900696	1 Grip, Soft
43		NP Nose (RPLS 900683) (Discontinued)	98	900662	1 Wire Ribbon Assembly, ESU Power
44	900631	1 Spring, Lockout	99	403099	1 Ring, Retaining (Piston)
45	900602	1 Bar, Lockout	* ● 100	403098	1 Ring, Piston
46	900630	1 Pin, Lockout	* 101	900728	1 Driver & Piston Assembly
47		NP Deleted	102	900680	1 Bumper, Piston
48	902456	1 Sleeve Assembly (RPLS 900730)	■ 103	900746	2 Screw TX 8-32 x 7/16
* ● 49	900616	1 O-Ring, Exhaust	■ 104	900754	1 Screw SHC 8-32 x 1/2 (Yellow)
● 50	901089	1 Disk, Pre-Filter Baffle (RPLS 900613)	105		NP Deleted
51	900665	1 Reed Plate	106	900766	1 Pad, Circuit Board
● 52	900664	1 Reed Valve	107	900759	1 Nose Plate Assembly
● 53	900609	1 Muffler	108	900761	1 Yoke, Knob & Guide Assembly
54	900668	1 Cover, Muffler	109	900808	1 Follower Assembly (RPLS 900679, 900691, 900720, 900722)
55		NP Deleted	110	009998	AR Service Kit

* Normal Wear Items

** Ensure Warning Label is affixed and legible

● Included in Service Kit

■ Apply Loctite® 242 (Blue)

▲ Apply grease to threads

→ New Change

NP Non Procurable

AR As Required



Remove battery & brads before comencing service.

Use eye and ear protection when operating/testing tools.

Use eye protection when cleaning tools.

Use degreaser in a well ventilated area.



**WARNING: All parts must be periodically inspected and replaced if worn or damaged.
Failure to comply can affect the tool's operation and present a safety hazard.**

ACCESSORIES

Battery

Part No. B20544E



Battery Charger system (Australia/New Zealand)

Battery Charger Kit (Shown)
Transformer
Charger Base

Part No. B20544B
Part No. B20544C
Part No. B20544D



Carry Case

Part No.(Discontinued)



Replacement Latch
(Oval Case 900751)

Part No. 219233

9/64" Hex Key

For servicing and clearing jams.

Part No. 900736



T7 Torx Key

For Fan grub screw

Commercially available



Paslode Impulse

Lubricating Oil

Specially formulated for use in
Paslode® Impulse tools.

Part No. B20544F



Impulse Tool

Cleaner/Degreaser

Recommended cleaner for all
Paslode®

Part No. B20544L




www.paslode.com.au


www.paslode.co.nz

Change Notes

Revision 3

Item	Part No.	Item/Description	Change	Action/Change Description
1	900640	Grill (Orange)	Availability	Replaced by Grill (Black) 900801
5	900961	Cap & Grill Assy (Orange)		Replaced by Cap & Grill Assy (Black) 902012
6	901119	Ring, Retaining (Fan motor)		POA ¹ 8, Fan Motor Assembly 901382
28	900727	Guide Assembly, Knob & Yoke		POA 108, Yoke, Knob & Guide Assembly 900761
105	900645	Ball, DoD Knob Detent		
30	900671	Spring		POA 30, Spring & Guide Assembly 900804
31	900706	Spring Guide		
36	900684	Plate, Nose (RPLS 900814)		POA 107, Nose Plate Assembly 900759
40	900702	No Mar Tip		POA 40, No Mar Tip (3 Pack) B20544N
43	900772	Nose (RPLS 900683)		Discontinued
48	900730	Sleeve Assembly	Manufacturing	Replaced by Sleeve Assembly 902456
58	900711	Label, Data Plate	Availability	Discontinued
62	900731	Handle RH		
70	900773	Magazine Extrusion (RPLS 900621)		
72	900722	Pin, Follower		
73	900679	Follower		POA 109, Follower Assembly 900808
74	900691	Spring		
76	900720	Follower Core		
82	900732	Handle LH		Discontinued
85	900634	Fuel Door/Actuator		POA 85, Fuel Door/Actuator Assembly 900788
86	404433	Pin, Fuel Door/		
92	900626	Trigger Spring		
93	900608	Trigger Spring Bush		Replaced by Trigger Assembly 900756 (Discontinued)
94	900632	Trigger with Pad		
95	900607	Trigger Pin		
N/A	900756	Trigger Assembly		
N/A	900757	ESU & Grip Assembly		Discontinued
N/A	900758	Magazine and Nose Assembly		
Acc	B20544H	12V Car Adapter		
Acc	900764	Probe, Rear Facing WCE		
Acc	900751	Carry Case		
	Various	Assemblies/Flag Notes	Schematic	Defined available ANZ assemblies Added Service Kit & Kit item flags Added Loctite® & grease flags
	Various	Parts/Notes	Parts Legend	Removed parts no longer available separately Added missing/new assembly PNs Added Service Kit & Kit item flags Updated PN changes Adopted conventional naming Adopted ANZ conventional safety symbols Updated Loctite® and item usage
	Various	Accessories	Accessories	Defined available ANZ Accessories - Removed 12V Car Adapter - Removed Probe, Rear Facing WCE - Discontinued Carry Case - Added Carry Case Latch PN - Added T7 Torx Key

¹ Purchase on Assembly