



**IMPULSE IM250S Li  
16/14G STRAIGHT  
FINISH NAILER  
B20710**



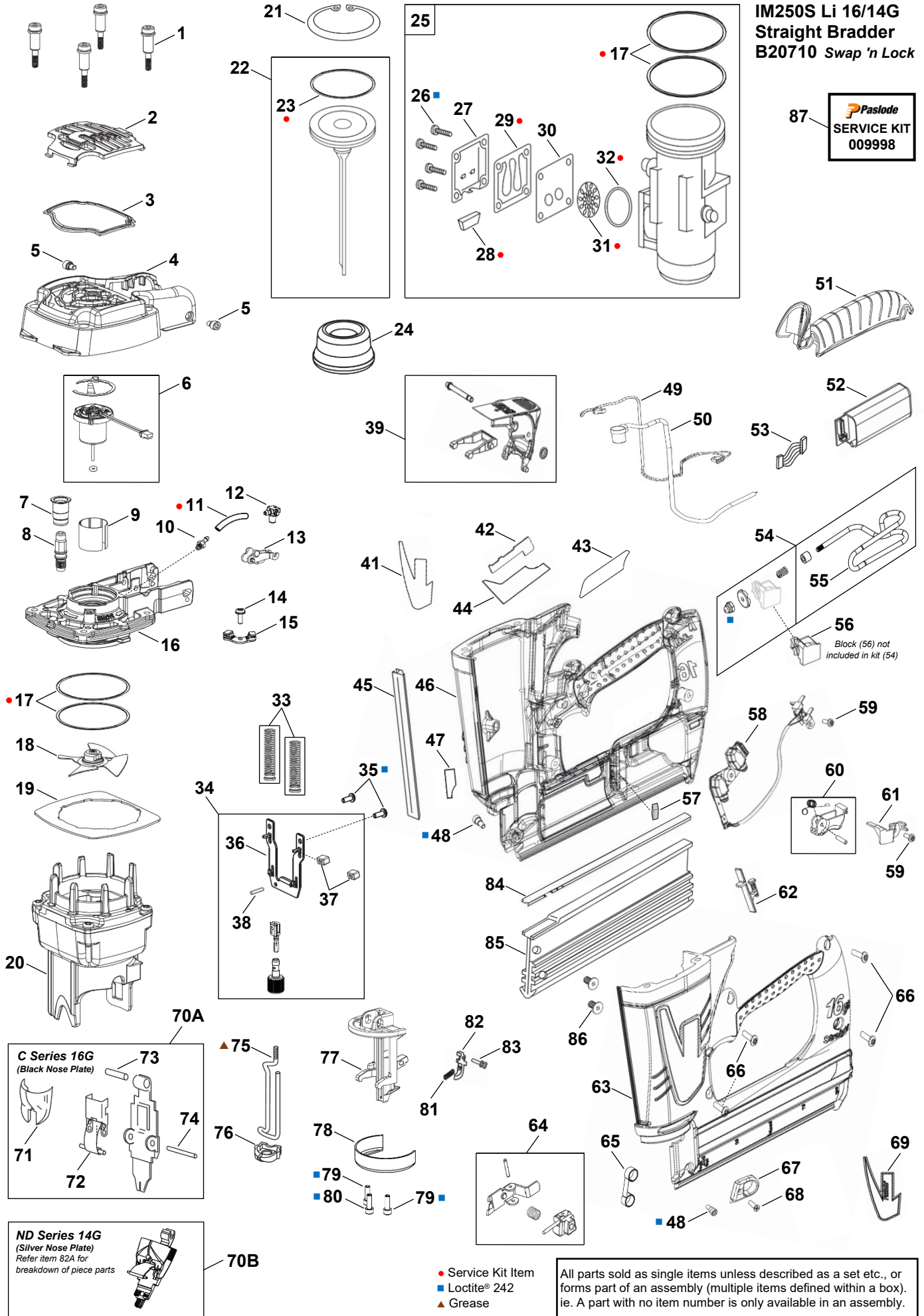
---

**ILLUSTRATED PARTS LIST**

---

**IM250S Li 16/14G  
Straight Bradder  
B20710 Swap 'n Lock**

**87**  **SERVICE KIT  
009998**



- Service Kit Item
- Loctite® 242
- ▲ Grease

All parts sold as single items unless described as a set etc., or forms part of an assembly (multiple items defined within a box). ie. A part with no item number is only available in an assembly.

## PARTS LEGEND

## PASLODE IM250S Li 16/14G S&amp;L STRAIGHT BRADDER

B20710

1	901064	4	Screw SHC 8-32 x 1-3/8	47	902416	1	Label, Depth of Drive Indicator
2	904555	1	Grill	■ 48	900792	2	Screw SHC 8-32 x 15/32 (Yellow)
* 3	900648	1	Filter	49	904562	1	Wire Lead Assembly, Fan Motor
4	902446	1	Cap	50	904567	1	Spark Wire Lead Assembly
5	904557	2	Screw SHC (Yellow)	51	901044	1	Grip
6	901382	1	Motor Assembly, Fan	52	902440	1	Electronic Spark Unit (ESU)
7	900785	1	Insulator, Spark Plug	53	900662	1	Wire Ribbon Assembly, ESU Power
8	900714	1	Spark Plug Assembly	54	902471A	1	Hook Assembly, Belt (RPLS 902432, 902433, 902434, 902435)
9	401356	1	Sleeve, Fan Motor	55	902471	1	Hook & Stop Assy, Belt
10	904517	1	Fuel Barb	56	902431	1	Block, Belt Hook Mounting
● 11	904546	1	Fuel Tube	57	902621	1	Pad, Battery
12	902406	1	Fuel Block	58	902439	1	Circuit Board Assembly
13	904521	1	Arm, Pivot	59	404702	2	Screw TF 6-32 x 3/8
14	900596	1	Screw TX SEMS 8-32 x 7/16	60	901082	1	Trigger Assembly (RPLS 901047, 901053)
15	900739	1	Circuit Board Assy, Cylinder Head	61	900629	1	Bracket, Retaining
16	904504	1	Cylinder Head	62	900726	1	Slide Switch Assembly
*● 17	900612	4	Ring, Cylinder Head & Sleeve	63	903602	1	Handle LH
18	900709	1	Fan Assembly	64	902041	1	Follower Assembly (RPLS 900691, 900720, 900722, 902002)
19	900700	1	Air Dam	65	900627	1	Spring, Negator
20	900729	1	Combustion Chamber Assembly	66	901066	4	Screw, Plastite 8-16 x 3/4
21	403099	1	Circlip, Piston	67	902008	1	Body, Follower
* 22	900728	1	Driver & Piston Assembly	68	900724	1	Screw, Plastite 8-16 x 5/8
*● 23	403098	1	Ring, Piston	69	903506	1	Label, Logo LH
24	900680	1	Bumper, Piston	70A	902050	1	Nose Plate Assy, 16G C Series (Black) (RPLS B20544T, 902047)
25	902456	1	Sleeve Assembly	70B	902051	1	Nose Plate Assy, 14G ND Series (Silver) (RPLS B20544U, 902048)
■ 26	405140	4	Screw 8-32 x 3/8 (Red)	71	900688	1	Cover, Latch
27	900668	1	Cover, Muffler	72	900786	1	Lever & Spring Assy, Latch
*● 28	900609	1	Muffler	73	900619	1	Pin, Nose Plate Assembly
*● 29	900664	1	Reed Valve	74	900685	1	Pin, Latch
30	900665	1	Reed Plate	▲ 75	903603	1	Probe
*● 31	901089	1	Disk, Pre-Filter Baffle	76	B20544N	1	No Mar Tip (3 Pack) (RPLS 900702)
*● 32	900616	1	O-Ring, Exhaust	77	902001	1	Nose
33	900804	2	Spring & Guide Assy	78	900692	1	Flange, Retaining
34	902429	1	Yoke, Knob & Guide Assembly	■ 79	900708	2	Screw SHC 8-32 x 1/2 (Red)
■ 35	900746	2	Screw TX 8-32 x 7/16	■ 80	900754	1	Screw SHC 8-32 x 1/2 (Yellow)
36	900704	1	Yoke	81	900631	1	Spring, Lockout
37	900707	2	Bumper, Probe	82	900602	1	Bar, Lockout
38	900734	1	Pin, Roll	83	900630	1	Pin, Lockout
39	904550A	1	Fuel Door Assembly (RPLS 901119, 902230, 904550, 904544)	84	902007	1	Channel, Brad
→ 40		NP	Lever, Dosing (POA 904550A)	85	902033	1	Magazine
41	903505	1	Label, Logo RH	■ 86	900660	2	Screw 10-32 x 3/8 (Red)
42	902402	1	Label, Li-ion+Fuel	87	009998		AR Service Kit
43	903611	1	Label, Data Plate				
** 44	903604	1	Label, Warning & Instruction				
45	900620	1	Channel, Handle Half Joint				
46	903601	1	Handle RH				

\* Normal Wear Items

\*\* Ensure Warning Label is affixed and legible

● Included in Service Kit

■ Apply Loctite® 242 (Blue)

▲ Apply grease to threads

→ New Change

AR As Required

NP Non Procurable

POA Purchase on Assembly

**Remove battery & brads before commencing service****Use eye and ear protection when operating/testing tools.****Use eye protection when cleaning tools.****Use degreaser in a well ventilated area****WARNING: All parts must be periodically inspected and replaced if worn or damaged. Failure to comply can affect the tool's operation and present a safety hazard.**

# ACCESSORIES

## Battery

Part No. B20543A



## Battery Charger system (Australia/New Zealand)

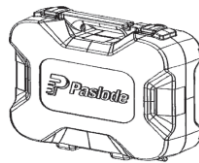
Battery Charger Kit (Shown)  
Transformer  
Charger Base

Part No. B20543B  
Part No. B20543C  
Part No. 902661



## Carry Case

Part No. 905640  
(RPLS 902445)



Replacement Latch  
(Square Global Case 905640)

Part No. 219463

Replacement Latch  
(Oval Case 902445)

Part No. 219233

## 9/64" Hex Key

For servicing and clearing jams.

Part No. 900736



## T7 Torx Key

For Fan grub screw

Part No. 900183



## Short Brad Guide

Used for Brads 15-32mm

Part No. 013720



Replacement Screw

Part No. 013613

## Paslode Impulse Lubricating Oil

Specially formulated for use in  
Paslode® Impulse tools.

Part No. B20544F



## Impulse Tool Cleaner/Degreaser

Recommended cleaner for all  
Paslode®

Part No. B20544L



## Change Notes

### Revision 0

Item	Part No.	Item/Description	Change	Action/Change Description
73*	901045	Trigger Body	Availability	Item not available in ANZ from release. POA 60, Trigger Assembly 901082

### Revision 1

Item	Part No.	Item/Description	Change	Action/Change Description
27*	902437	Knob & Guide Assembly	Availability	POA <sup>1</sup> 66, Yoke, Knob & Yoke Guide Assembly 902429
29*	900702	No Mar Tip		Replaced by item 76, No Mar Tip (3 Pack) B20544N
72*	901053	Trigger Spring	Availability	POA 54, Trigger Assembly 901082
74*	901047	Trigger Pin		
86*	900722	Follower Pin		
87*	902002	Follower		
88*	900691	Spring		
90*	900720	Follower Core	Format	POA 58, Follower Assembly 902041
98A*	B20544T	Nose Plate Assy C Series Kit		Replaced by item 98 PN 902050
98B*	B20544U	Nose Plate Assy ND Series Kit	Design	Replaced by item 98A PN 902051
99*	902626	Label, Battery On-Off	Design	Obsolete (Mid 2018)
52	902440	Electronic Spark Unit (ESU)	Enhancement	Rev.D (<1330/0203, RPLS Rev. A-C). No PN change (2013)
Acc	B20544H	12V Car Adapter	Availability	Discontinued
Acc	902445	Carry Case		Replaced by Global Case 905640
N/A	Various	Assemblies/Flag Notes	Schematic	Defined available ANZ assemblies Added Service Kit & Kit item flags Added Loctite® & grease flags
N/A	Various	Parts/Notes	Parts Legend	Removed parts no longer available separately Added missing/new assembly PNs Added Service Kit & Kit item flags Updated PN changes Adopted conventional naming Updated Loctite® and item usage
N/A	Various	Accessories	Accessories	Defined available ANZ Accessories - Removed Product Nose Plate Assemblies - Added Carry Case Latch PNs - Added 9/64 Hex Key - Added T7 Torx Key - Added Short Brad Guide Assy & replacement Screw

<sup>1</sup>Purchase on Assembly

\*Item numbering per previous revision

### Revision 2

Item	Part No.	Item/Description	Change	Action/Change Description
6*	901119	Ring, Retaining (Fan motor)	Availability	POA <sup>1</sup> 6, Fan Motor Assembly 901382
32*	902047	Nose Plate, 16G C (Black)		POA 70A, Nose Plate Assy, 16G C (Black) 902050
32A*	902048	Nose Plate, 14G ND (Silver)		POA 70B, Nose Plate Assy, 14G ND (Silver) 902051
33	904550A	Fuel Door Assembly		Fuel Door Assembly introduction
40	904544	Dosing Lever		POA, Fuel Door Assembly 904550A
51*	902230	Fuel Door Pin		
53*	904550	Fuel Door		
54*	902235	Fuel Door Retaining Ring		Belt Hook Assembly introduction
48	902471A	Belt Hook Assembly		
55*	902434	Nut		POA, Belt Hook Assembly 902471A
56*	902433	Button		
58*	902432	Spring		
59*	902435	Stop		
N/A	Various	Various		
N/A	Various	Parts/Notes	Parts Legend	Removed parts no longer available separately

<sup>1</sup>Purchase on Assembly

\*Item numbering per previous revision