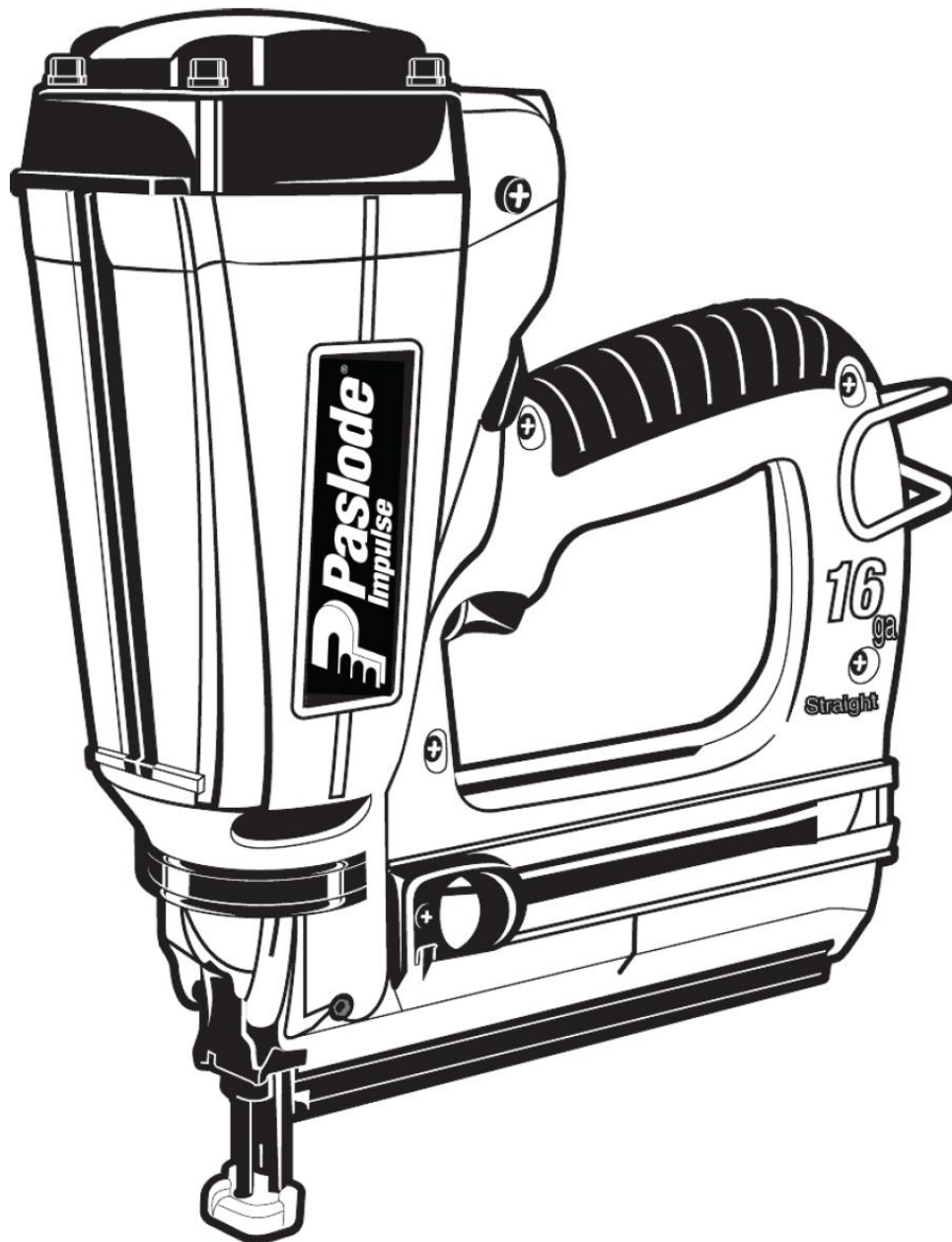




**IMPULSE IM250S MK2
16/14G Nc STRAIGHT
FINISH NAILER
B20574 (MK3)**

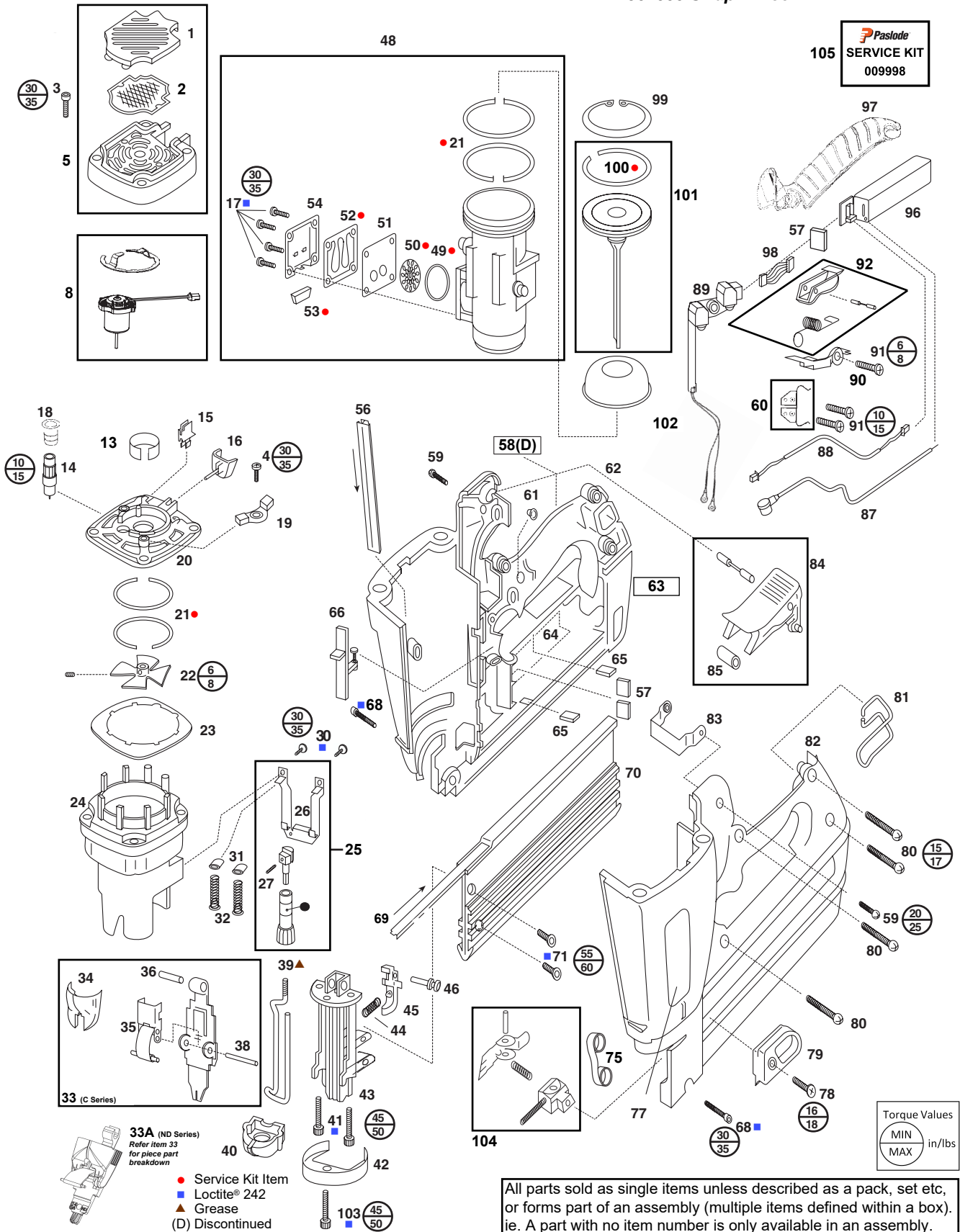


ILLUSTRATED PARTS LIST

Impulse IM250S MK2

16/14G Nc Straight Bradder

AU B20574 (MK3) / NZ B20690
902000 Swap 'n Lock



All parts sold as single items unless described as a pack, set etc, or forms part of an assembly (multiple items defined within a box). i.e. A part with no item number is only available in an assembly.

PARTS LEGEND

PASLODE IM250S MK2 16/14G Nc STRAIGHT BRADDER S&L

AU B20574 MK3 / NZ B20690

→ 1	900801	1 Grill (Black) (RPLS 900640)	51	900665	1 Reed Plate
* 2	900648	1 Filter	● 52	900664	1 Reed Valve
3	901064	4 Screw SHC 8-32 x 1-3/8	● 53	900609	1 Muffler
4	900596	1 Screw TX SEMS 8-32 x 7/16	54	900668	1 Cover, Muffler
5	902012	1 Cap & Grill Assy (Black) (RPLS 902011)	55		NP Deleted
→ 6		NP Deleted	56	900620	1 Channel, Handle Half Joint
7		NP Deleted	57	401450	3 Pad, Battery
8	901382	1 Motor Assembly, Fan (RPLS 900524, 900624, 900715)	58		NP Deleted
9		NP Deleted	59	900598	2 Screw SEMS 10-32 x 5/16 (Red)
10		NP Deleted	→ 60	219496	1 Contact Kit, RH+/LH- (RPLS 903003, 903004)
11		NP Deleted	61	404385	1 Pipe, Light (LED Lens)
12		NP Deleted	62	902005	1 Handle RH
13	401356	1 Sleeve, Fan Motor	** 63	900496	1 Label, Warning
14	900714	1 Spark Plug Assembly	64	900508	1 Label, Warning & Instruction
15	900674	1 Wire Clip	65	404922	2 Pad, Battery
16	900697	1 Stem Adapter (Yellow)	66	900726	1 Slide Switch Assembly
■ 17	405140	4 Screw TX 8-32 x 3/8 (Red)	→ 67		NP Deleted
18	900785	1 Insulator, Spark Plug Sleeve	■ 68	900792	2 Screw 8-32 x 15/32 (Yellow)
19	900739	1 Circuit Board Assembly, Cylinder Head	69	902007	1 Channel, Brad
20	900605	1 Cylinder Head	70	902033	1 Magazine Extrusion
* ● 21	900612	4 Ring, Cylinder Head & Sleeve	■ 71	900660	2 Screw 10-32 x 3/8 (Red)
22	900709	1 Fan Assembly	→ 72		NP Deleted
23	900700	1 Air Dam	→ 73		NP Deleted
24	900729	1 Combustion Chamber Assembly	→ 74		NP Deleted
25	900761	1 Yoke, Knob & Guide Assembly	75	900627	1 Spring, Negator
26	900704	1 Yoke	→ 76		NP Deleted
27	900734	1 Pin, Roll	77	900651	2 Label, Logo
→ 28		NP Deleted	78	900724	1 Screw, Plastite 8-16 x 5/8
→ 29		NP Deleted	79	902008	1 Body, Follower
■ 30	900746	2 Screw TX 8-32 x 7/16	80	901066	4 Screw, Plastite 8-16 x 3/4
31	900707	2 Bumper, Yoke	81	900289	1 Hook, Belt
32	900804	2 Spring & Guide Assy (RPLS 900671, 900706)	82	902006	1 Handle LH
33	902050	1 Nose Plate Assembly, 16G C (Black) (RPLS B20544T)	83	900703	1 Bracket, Handle
33A	902051	1 Nose Plate Assembly, 14G ND (Silver) (RPLS B20544U)	84	900788	1 Actuator Assembly
34	900688	1 Cover, Quick Clear Latch	85	900755	1 Bush, Actuator
35	900786	1 Lever & Spring Assy, Quick Clear Latch	86		NP Deleted
36	900619	1 Pin	87	900765	1 Spark Wire Lead Assembly
→ 37		NP Deleted	88	900663	1 Wire Lead Assembly, Fan Motor
→ 37A		NP Deleted	89	901050	1 Circuit Board Assembly
38	900685	1 Pin, Latch Cover	90	900629	1 Clip, Spark Wire Lead
▲ 39	900686	1 Probe	91	404702	3 Screw TF 6-32 x 3/8
* 40	B20544N	1 No Mar Tip (3 Pack) (RPLS 900702)	92	901082	1 Trigger Assembly
■ 41	900708	2 Screw SHC 8-32 x 1/2 (Red)	→ 93		NP Deleted
42	900692	1 Retaining Cup	→ 94		NP Deleted
43	902001	1 Nose (RPLS 902027)	→ 95		NP Deleted
44	900631	1 Spring, Lockout	96	900672	1 Electronic Spark Unit (ESU)
45	900602	1 Bar, Lockout	97	901044	1 Grip, Soft
46	900630	1 Pin, Lockout	98	900662	1 Wire Ribbon Assembly, ESU Power
47		NP Deleted	99	403099	1 Retaining Ring, Piston
48	902456	1 Sleeve Assembly (RPLS 900730)	* ● 100	403098	1 Ring, Piston
* ● 49	900616	1 O-Ring, Exhaust	* 101	900728	1 Driver & Piston Assembly
● 50	901089	1 Disk, Pre-Filter Baffle	102	900680	1 Bumper, Piston
			■ 103	900754	1 Screw SHC 8-32 x 1/2 (Yellow)
			→ 104	902041	1 Follower Assembly
			→ 105	009998	AR Service Kit

* Normal Wear Items

** Ensure Warning Label is affixed and legible

● Included in Service Kit

■ Apply Loctite® 242 (Blue)

▲ Apply grease to threads

→ New Change

NP Non Procurable

AR As Required

Remove battery & brads before comencing service.

Use eye and ear protection when operating/testing tools.

Use eye protection when cleaning tools.

Use degreaser in a well ventilated area.



WARNING: All parts must be periodically inspected and replaced if worn or damaged.

Failure to comply can affect the tool's operation and present a safety hazard.

ACCESSORIES

Battery

Part No. B20544E



Battery Charger system (Australia/New Zealand)

Battery Charger Kit (Shown)
Transformer
Charger Base

Part No. B20544B
Part No. B20544C
Part No. B20544D



Carry Case

Part No.(Discontinued)



Replacement Latch
(Oval Case)

Part No. 219233

9/64" Hex Key

For servicing and clearing jams.

Part No. 900736



T7 Torx Key

For Fan grub screw

Commercially available



Short Brad Guide

Used for Brads 15-32mm

Part No. 013720



Replacement Screw

Part No. 013613

Paslode Impulse

Lubricating Oil

Specially formulated for use in
Paslode® Impulse tools.



Part No. B20544F

Impulse Tool

Cleaner/Degreaser

Recommended cleaner for all
Paslode®



Part No. B20544L



Change Notes

Revision 2

Item	Part No.	Item/Description	Change	Action/Change Description	
1	900640	Grill (Orange)	Design	Replaced by 900801, Grill (Black)	
6	901119	Ring, Retaining (Fan motor)	Availability	POA ¹ 8, Fan Motor Assembly 901382	
28	900645	Ball, DoD Knob Detent		POA 25, Yoke, Knob & Guide Assembly 900761	
29	900727	Knob & Yoke Guide Assembly		POA 33, Nose Plate Assembly 16G C (Black) 902050	
37	902047	Nose Plate, 16G C (Black)		POA 33A, Nose Plate Assembly 14G ND (Silver) 902051	
37A	902048	Nose Plate, 14G ND (Silver)		Replaced by No Mar Tip 3 Pack B20544N	
40	900702	No Mar Tip		Replaced by 902456	
48	900730	Sleeve Assembly		Discontinued	
58	902028	Label, Data Plate		POA 60, Contact Kit, RH+/LH- 219496	
60	903003	Contact, RH+ (RPLS 900312)		POA 84, Fuel Door/Actuator Assembly 900788	
67	903004	Contact, LH- (RPLS 900311)		POA 92, Trigger Assembly 901082	
86	404433	Pin, Actuator		POA 104, Follower Assembly 902041	
93	901053	Trigger Spring			
94	901045	Trigger with Pad			
95	901047	Pin, Trigger			
72	900722	Pin, Follower			
73	902002	Follower			
74	900691	Spring			
76	900720	Follower Core			
79	900617	Body, Follower			
Acc	B20544H	12V Car Adapter			Discontinued
Acc	900751	Carry Case	Packaging	Replaced by 33, Nose Plate Assembly 902050	
Acc	B20544T	Nose Plate C Series Kit		Replaced by 33A, Nose Plate Assembly 902051	
Acc	B20544U	Nose Plate ND Series Kit	Schematic	Defined available ANZ assemblies Added Service Kit & Kit item flags Added Loctite® & grease flags	
	Various	Assemblies/Flag Notes		Parts Legend	Removed parts no longer available separately Added missing/new assembly PNs Added Service Kit & Kit item flags Updated PN changes Adopted conventional naming Adopted ANZ conventional safety symbols Updated Loctite® and item usage
	Various	Parts/Notes			Accessories
	Various	Accessories			

¹ Purchase on Assembly