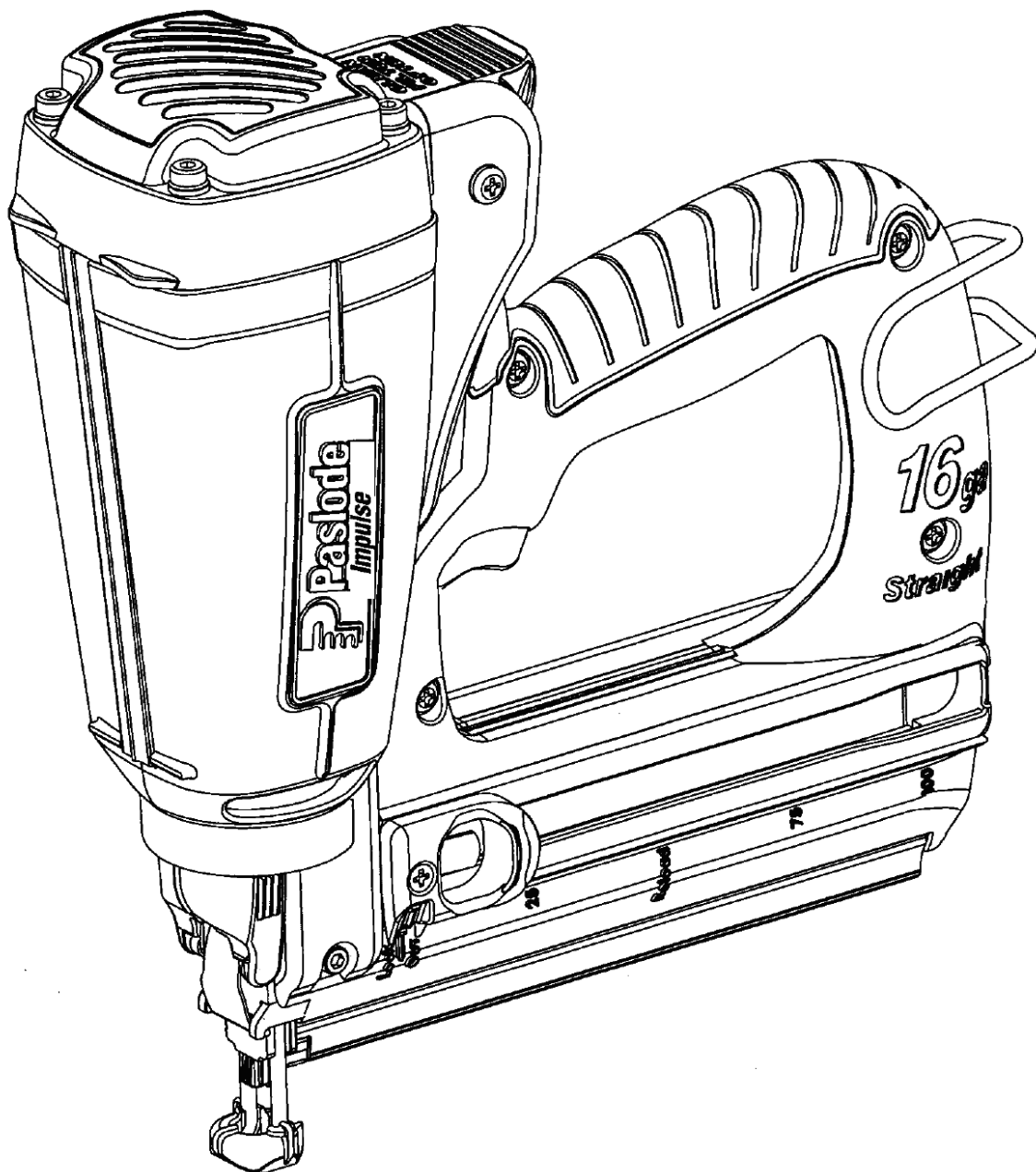




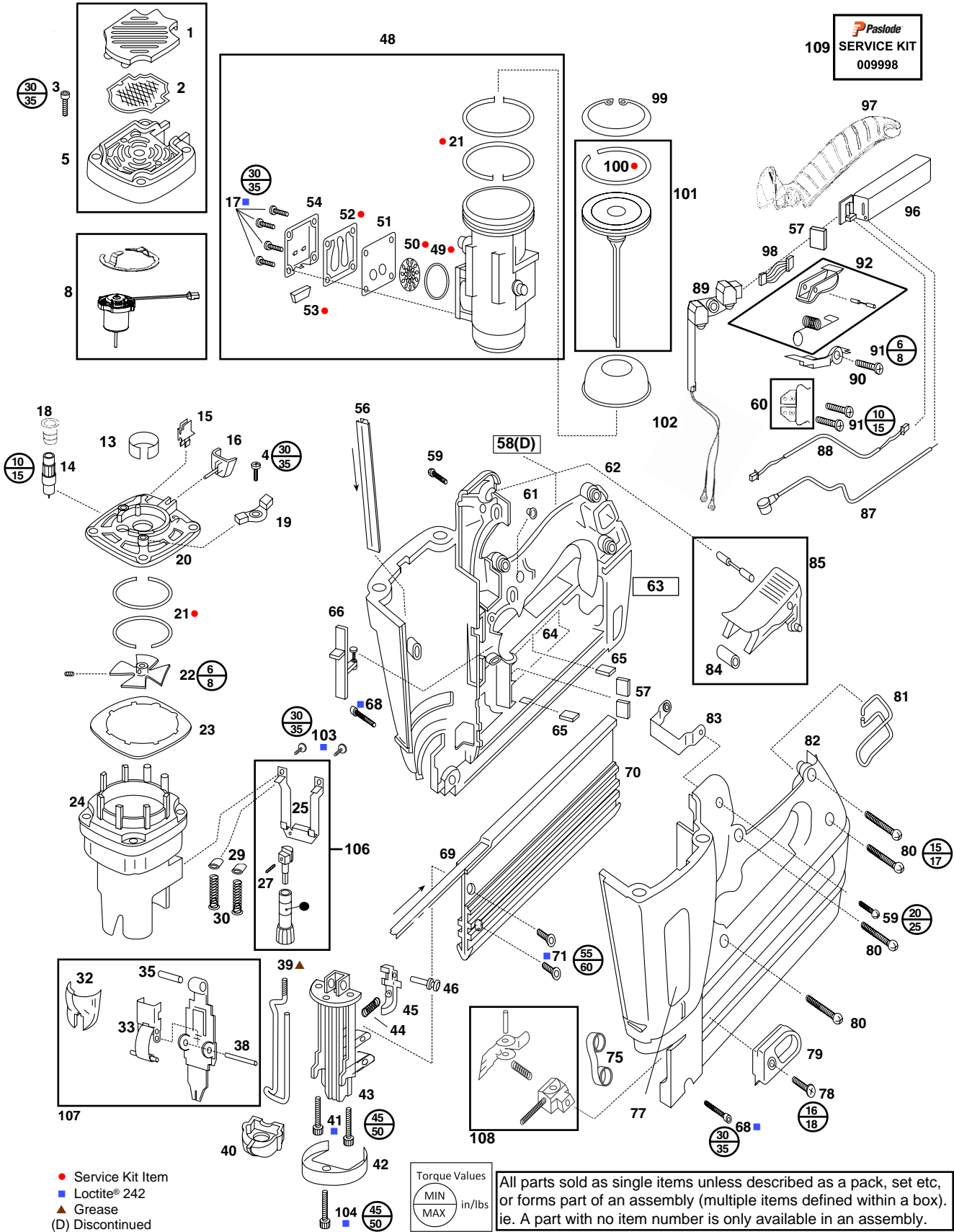
**IMPULSE IM250S MK1
16/14G Nc STRAIGHT
FINISH NAILER
B20574 (MK2)**



ILLUSTRATED PARTS LIST

Impulse IM250S MK1 16/14G Nc Straight Bradder B20574 (MK2) 902000(A)

Paslode
SERVICE KIT
009998



PARTS LEGEND

PASLODE IM250S MK1 16/14G Nc STRAIGHT BRADDER

B20574 MK2

→ 1	900801	1 Grill (Black) (RPLS 900640)	56	900620	1 Channel, Handle Half Joint
* 2	900648	1 Filter	57	401450	3 Pad, Battery
3	901064	4 Screw SHC 8-32 x 1-3/8	→ 58		NP Label, Data Plate (Discontinued)
4	900596	1 Screw TX SEMS 8-32 x 7/16	59	900598	2 Screw SEMS 10-32 x 5/16 (Red)
5	902012	1 Cap & Grill Assy (Black) (RPLS 902011)	→ 60	219496	1 Contact Kit, RH+/LH- (RPLS 900311, 900312, 903003, 903004)
→ 6		NP Deleted	61	404385	1 Pipe, Light (LED Lens)
7		NP Deleted	62	902005	1 Handle RH
8	901382	1 Motor Assembly, Fan (RPLS 900524, 900624, 900715)	** 63	900496	1 Label, Warning
9		NP Deleted	64	900508	1 Label, Warning & Instruction
10		NP Deleted	65	404922	2 Pad, Battery
11		NP Deleted	66	900726	1 Slide Switch Assembly
12		NP Deleted	→ 67		NP Deleted
13	401356	1 Sleeve, Fan Motor	■ 68	900792	2 Screw 8-32 x 15/32 (Yellow)
14	900714	1 Spark Plug Assembly	69	902007	1 Channel, Brad
15	900674	1 Wire Clip	70	902033	1 Magazine Extrusion
16	900697	1 Stem Adapter (Yellow)	■ 71	900660	2 Screw 10-32 x 3/8 (Red)
■ 17	405140	4 Screw TX 8-32 x 3/8 (Red)	→ 72		NP Deleted
18	900785	1 Insulator, Spark Plug	→ 73		NP Deleted
19	900739	1 Circuit Board Assembly, Cylinder Head	→ 74		NP Deleted
20	900605	1 Cylinder Head	75	900627	1 Spring, Negator
*● 21	900612	4 Ring, Cylinder Head & Sleeve	→ 76		NP Deleted
22	900709	1 Fan Assembly	77	900651	2 Label, Logo
23	900700	1 Air Dam	78	900724	1 Screw, Plastite 8-16 x 5/8
24	900729	1 Combustion Chamber Assembly	79	902008	1 Body, Follower
25	900704	1 Yoke	80	901066	4 Screw, Plastite 8-16 x 3/4
26		NP Deleted	81	900289	1 Hook, Belt
27	900734	1 Pin, Roll	82	902006	1 Handle LH
→ 28		NP Deleted	83	900703	1 Bracket, Handle
29	900707	2 Bumper, Yoke	84	900755	1 Bush, Fuel Door/Actuator
→ 30	900804	2 Spring & Guide Assy (RPLS 900671, 900706)	85	900788	1 Fuel Door/Actuator Assembly
→ 31		NP Deleted	→ 86		NP Deleted
32	900688	1 Cover, Quick Clear Latch	87	900765	1 Spark Wire Lead Assembly
33	900786	1 Lever & Spring Assy, Quick Clear Latch	88	900663	1 Wire Lead Assembly, Fan Motor
34		NP Deleted	89	901050	1 Circuit Board Assembly
35	900619	1 Pin	90	900629	1 Clip, Spark Wire Lead
→ 36		NP Deleted	91	404702	3 Screw TF 6-32 x 3/8
37		NP Deleted	92	901082	1 Trigger Assembly
38	900685	1 Pin, Latch Cover	93		NP Deleted
▲ 39	900686	1 Probe	→ 94		NP Deleted
*→ 40	B20544N	1 No Mar Tip (3 Pack) (RPLS 900702)	→ 95		NP Deleted
■ 41	900708	2 Screw SHC 8-32 x 1/2 (Red)	96	900672	1 Electronic Spark Unit (ESU)
42	900692	1 Retaining Cup	97	901044	1 Grip, Soft
→ 43	902001	1 Nose (Black) (RPLS 902027 (Silver))	98	900662	1 Wire Ribbon Assembly, ESU Power
44	900631	1 Spring, Lockout	99	403099	1 Retaining Ring, Piston
45	900602	1 Bar, Lockout	*● 100	403098	1 Ring, Piston
46	900630	1 Pin, Lockout	* 101	900728	1 Driver & Piston Assembly
47		NP Deleted	102	900680	1 Bumper, Piston
→ 48	902456	1 Sleeve Assembly (RPLS 900730)	■ 103	900746	2 Screw PH 8-32 x 7/16
*● 49	900616	1 O-Ring, Exhaust	■ 104	900754	1 Screw SHC 8-32 x 1/2 (Yellow)
● 50	901089	1 Disk, Pre-Filter Baffle	→ 105		NP Deleted
51	900665	1 Reed Plate	→ 106	900761	1 Yoke, Knob & Guide Assembly
● 52	900664	1 Reed Valve	→ 107	900759	1 Nose Plate Assembly
● 53	900609	1 Muffler	→ 108	902041	1 Follower Assembly
54	900668	1 Cover, Muffler	→ 109	009998	AR Service Kit
55		NP Deleted			

* Normal Wear Items

** Ensure Warning Label is affixed and legible

● Included in Service Kit

■ Apply Loctite® 242 (Blue)

▲ Apply grease to threads

→ New Change

NP Non Procurable

AR As Required

Remove battery & brads before comencing service.

Use eye and ear protection when operating/testing tools.

Use eye protection when cleaning tools.

Use degreaser in a well ventilated area.



WARNING: All parts must be periodically inspected and replaced if worn or damaged. Failure to comply can affect the tool's operation and present a safety hazard.

ACCESSORIES

Battery

Part No. B20544E



Battery Charger system (Australia/New Zealand)

Battery Charger Kit (Shown)
Transformer
Charger Base

Part No. B20544B
Part No. B20544C
Part No. B20544D



Carry Case

Part No.(Discontinued)



Replacement Latch
(Oval Case)

Part No. 219233

9/64" Hex Key

For servicing and clearing jams.

Part No. 900736



T7 Torx Key

For Fan grub screw

Commercially available



Short Brad Guide

Used for Brads 15-32mm

Part No. 013720



Replacement Screw

Part No. 013613

Paslode Impulse Lubricating Oil

Specially formulated for use in
Paslode® Impulse tools.

Part No. B20544F



Impulse Tool Cleaner/Degreaser

Recommended cleaner for all
Paslode®

Part No. B20544L



Change Notes

Revision 2

Item	Part No.	Item/Description	Change	Action/Change Description
1	900640	Grill (Orange)	Design	Replaced by 900801, Grill (Black)
6	901119	Ring, Retaining (Fan motor)	Availability	POA ¹ 8, Fan Motor Assembly 901382
28	900727	Guide Assembly, Knob & Yoke		POA 106, Yoke, Knob & Guide Assembly 900761
105	900645	Ball, DoD Knob Detent		
30	900671	Spring		POA 30, Spring & Guide Assy 900804
31	900706	Spring Guide		
36	900814	Nose Plate (14/16G)		POA 107, Nose Plate Assembly 900759
40	900702	No Mar Tip		Replaced by No Mar Tip 3 Pack B20544N
43	902027	Nose	Enhancement	Replaced by 902001
48	900730	Sleeve Assembly	Availability	Replaced by 902456
58	902028	Label, Data Plate		Discontinued
60	900312	Contact, RH+		POA 60, Contact Kit, RH+/LH- 219496
67	900311	Contact, LH-		
72	900722	Pin, Follower		
73	900679	Follower		POA 108, Follower Assembly 902041
74	900691	Spring		
76	900720	Follower Core		
86	404433	Pin, Actuator		POA 85, Actuator Assembly 900788
92*	901053	Trigger Spring		
94	901045	Trigger with Pad		POA 92, Trigger Assembly 901082
95	901047	Pin, Trigger		
92	901082	Trigger Assembly		
106	900761	Yoke, Knob & Guide Assembly		Format
107	900759	Nose Plate Assembly		
108	902041	Follower Assembly	Availability	Introduced new assembly
109	009998	Service Kit		Added PN to Parts Legend & Schematic
Acc	B20544H	12V Car Adapter		Discontinued
Acc	900751	Carry Case		
	Various	Assemblies/Flag Notes	Schematic	Defined available ANZ assemblies Added Service Kit & Kit item flags Added Loctite® & grease flags
	Various	Parts/Notes	Parts Legend	Removed parts no longer available separately Added missing/new assembly PNs Added Service Kit & Kit item flags Updated PN changes Adopted conventional naming Adopted ANZ conventional safety symbols Updated Loctite® and item usage
	Various	Accessories	Accessories	Defined available ANZ Accessories - Removed 12V Car Adapter - Removed Safety Glasses - Discontinued Carry Case - Added Carry Case Latch PN - Added 9/64 Hex Key - Added T7 Torx Key - Added Short Brad Guide & replacement Screw PNs

¹Purchase on Assembly