



**POWERMAS^TER PLUS
F350S MK2
30 DEGREE NAILER
B20433 (MK2)**

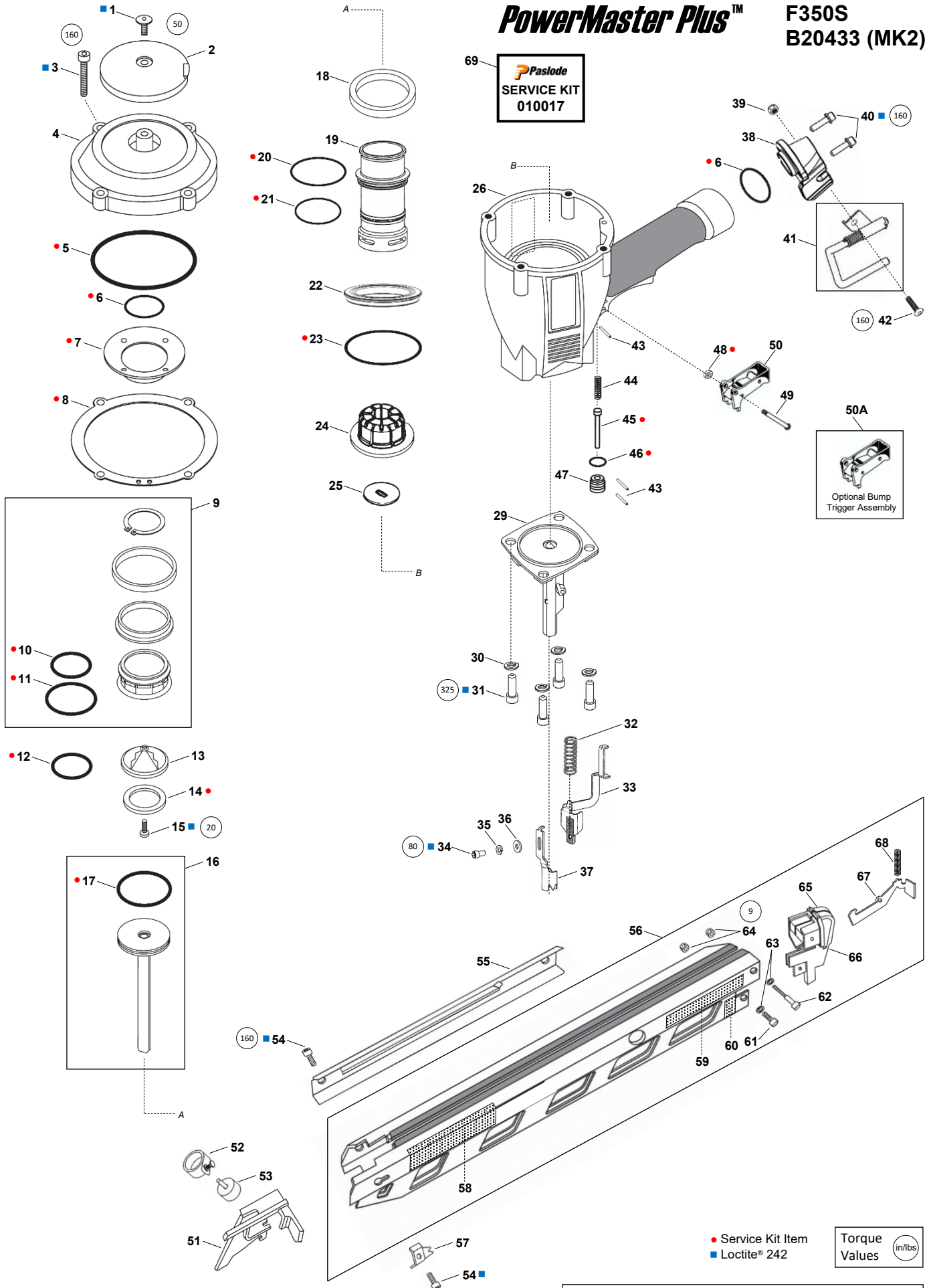


ILLUSTRATED PARTS LIST

PowerMaster Plus™

F350S
B20433 (MK2)

69 **Paslode**
SERVICE KIT
010017



All parts sold as single items unless described as a set etc., or forms part of an assembly (multiple items defined within a box). ie. A part with no item number is only available in an assembly.

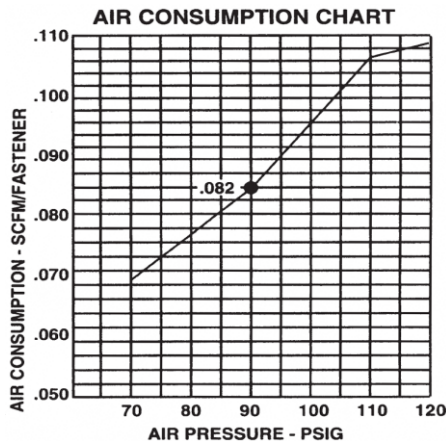
PARTS LEGEND

F350S MK2

B20433 (MK2)

■ 1	501043	1	Screw UH SHC 1/4-20 x 1/2	36	404800	1	Washer, Flat 1/4
2	501016	1	Deflector, Air	37	500731	1	Probe
■ 3	501300	4	Screw SHC 1/4-20 x 1-1/4	38	501219	1	Cap, Air Inlet
4	501017	1	Cap	39	500525	1	Nut, Lock 5/16-24
*● 5	500461	1	O-Ring	40	501299	2	Screw SHC 1/4-20 x 1
*● 6	092042	2	O-Ring	41	501347	1	Belt/Rafter Hook Assembly (Standard)
*● 7	500407	1	Spring, Main Valve	42	500516	1	Screw BHC 5/16-24 x 7/8
*● 8	501001	1	Gasket, Cap	43	071297	3	Pin, Roll 1/8 x 1-1/8
9	500463	1	Valve Assembly, Main	44	097748	1	Spring
*● 10	091208	1	O-Ring	*● 45	097746	1	Poppet Valve, Trigger Valve
*● 11	401950	1	O-Ring	*● 46	092174	1	O-Ring, Trigger Valve
*● 12	095432	1	O-Ring	47	401958	1	Body, Trigger Valve
13	500454	1	Post, Main Valve	*● 48	402668	1	Ring, Retaining
*● 14	500453	1	Bumper, Post	49	402669	1	Pin, Trigger Retaining
15	402906	1	Screw BHC 10-32 x 5/8	50	501039	1	Trigger Assembly, Sequential (Grey)
16	501519	1	Driver & Piston Assembly	50A	501048	OP	Trigger Assembly, Bump (Orange)
*● 17	092971	1	O-Ring	51	500531	1	Follower
*● 18	402011	1	Seal, Cylinder	52	500513	1	Spring Assembly, Negator
19	501283	1	Cylinder	53	501046	1	Drum & Pin Assembly
*● 20	500249	1	O-Ring	■ 54	404904	2	Screw 1/4-28 x 5/8
*● 21	092235	1	O-Ring	55	500717	1	Cover, Nail Rail
22	500779	1	Bulkhead	56	500877	1	Magazine Assembly
*● 23	501002	1	O-Ring	57	500509	1	Bracket, Magazine
* 24	500866	1	Bumper	** 58	500458	1	Label, Warning
25	500729	1	Seal, Driver Blade	59	501055	1	Label, Magazine Logo
26	501286	1	Body Housing	60	501481	1	Label, Data Plate
27			NP Label, Housing Logo RH (Discontinued)	61	066840	1	Screw SHC 8-32 x 3/4
28			NP Label, Housing Logo LH (Discontinued)	62	501026	1	Screw SHC 8-32 x 2
29	501156	1	Nose	63	404414	2	Washer, Flat #8
30	095417	4	Washer, Spring 5/16	64	404325	2	Nut, Lock 8-32
■ 31	009016	4	Screw SHC 5/16-18 x 1	65	501607	1	End Cap, Magazine RH (RPS 501025)
32	501006	1	Spring, Probe	66	501606	1	End Cap, Magazine LH (RPS 501024)
33	501363	1	Lever, Safety	67	500848	1	Latch, Follower (RPLS 501027)
■ 34	091618	1	Screw SHC 1/4-20 x 1/2	68	501028	1	Spring, Latch
35	002187	1	Washer, Spring 1/4	69	010017		AR Service Kit

- * Normal Wear Items
- ** Ensure Warning Label is affixed and legible
- Included in Service Kit
- Apply Loctite® 242 (Blue)
- New Change
- OP Optional
- NP Non Procurable
- AR As Required



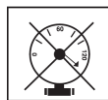
SAFETY INSTRUCTIONS
WEAR EYE AND HEARING PROTECTION



Always wear approved eye and hearing protection when operating tool. Ensure others in the near vicinity use the same protective equipment.



Use eye protection when cleaning tool.



DO NOT EXCEED MAXIMUM RECOMMENDED AIR PRESSURE



Operate the tool using only the recommended air pressure. Do not exceed the maximum air pressure marked on the tool. Be sure the air pressure gauge is operating properly and check it at least twice a day.

Never use bottled air or gases such as oxygen to operate the tool, as this may cause the tool to explode.



WARNING: All parts must be periodically inspected and replaced if worn or damaged. Failure to comply can affect the tool's operation and present a safety hazard.

Change Notes

Revision 1

Item	Part No.	Item Description	Change	Action/Change Description
10*	406041	Retaining Ring	Availability	POA ¹ 9, Main Valve Assembly 500463
11*	500455	Main Valve Upper Piston		
12*	401946	Main Valve Seal		
15*	500456	Main Valve Lower Piston		
21*	501218	Driver Blade		POA 16, Driver & Piston Assembly 501519
35*	501010	Bump Trigger		
37*	501009	Roll Pin		
38*	501008	Trip Lever		
56*	501044	Hex Key, 3/16 Long Arm	Format	Moved to Accessories
57*	501024	Magazine End Cap LH	Manufacturing	Replaced by 501606
58*	501025	Magazine End Cap RH		Replaced by 501607
59*	501027	Follower Latch		Replaced by 500848
75*	501337	Piston	Availability	POA 16, Driver & Piston Assembly 501519
9*	500463	Main Valve Assembly	Format	Data added to Parts Legend
16*	501519	Driver & Piston Assembly		
50A	501048	Trigger Assembly, Bump		
56	500877	Magazine Assembly		
69	010017	Service Kit	Availability	Added to Schematic & Parts Legend
N/A	Various	Assemblies/Flag Notes	Schematic	Defined available ANZ assemblies Added Service Kit & Kit item flags Added Loctite [®] flags
		Parts/Notes	Parts Legend	Removed parts no longer available separately Added assembly PNs Added Service Kit & Kit item flags Updated PN changes Adopted conventional naming Adopted ANZ conventional safety symbols Updated Loctite [®] and item usage
		Accessories	Accessories	Defined available ANZ Accessories - Added ANZ Hanger Bracket Kit - Updated Carry Bag PN - Added Hex Key and updated availability

¹ POA - Purchase on Assembly

*Item numbering refers to previous revision

Revision 2

Item	Part No.	Item Description	Change	Action/Change Description
27	501334	Label, Housing Logo RH	Availability	Non procurable
28	501333	Label, Housing Logo LH		
32*	501608	Pin		POA ¹ 16, Hook Assembly, Belt/Rafter 501347
78*	501479	Spring, Rafter Hook		
70*	500520	Wear Strip		
N/A	Various	Assemblies/Flag Notes	Schematic	Completely re-numbered for clarity Defined available ANZ assemblies Updated Service Kit flag notes – Added new items
		Parts/Notes	Parts Legend	Removed parts no longer available separately

¹ POA - Purchase on Assembly

*Item numbering refers to previous revision

Miscellaneous (Frame and Truss Tools)				
N/A	219248	Double Length Magazine Kit	Availability	Discontinued
	219299	Double Length Negator Spring		Available
	219306	Double Length Mag. Cover		Discontinued
	404932	Double Length Probe Cover		

ACCESSORIES - F350S Framer

219228		No Mar Tip Assembly (AU Only)	501022		No Mar Tip (AU Only)
502934		Carry Bag (AU Only)	1X3002		Hanger Bracket Kit (RPLS B20442) (AU Only)
F27625		Pneumatic Lubricating oil (480 ml) (AU Only)	R20128		Pneumatic Lubricating oil (250 ml) (NZ Only)
B20544L		Degreaser	1X2002		Air Inlet Adaptor Kit 3/8NPT-1/4NPT (AU Only)