



**PNEUMATIC NT65.1  
T NAILER  
B20350**



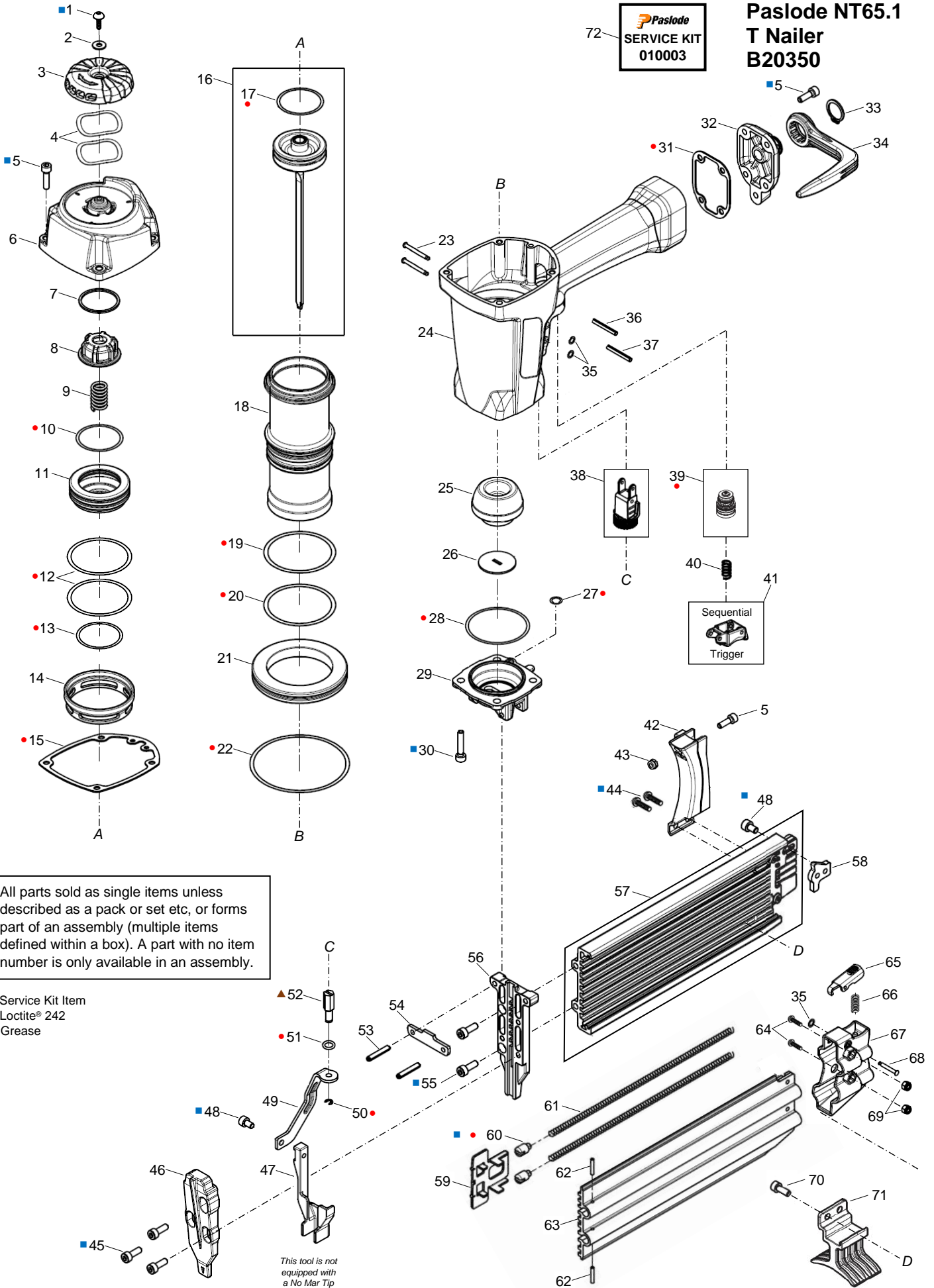
---

**ILLUSTRATED PARTS LIST**

---

**Paslode**  
SERVICE KIT  
010003

# Paslode NT65.1 T Nailer B20350



**PARTS LEGEND**

**PASLODE NT65.1 T NAILER**

**B20350**

■	1	720478	1 Bolt UH	38	720422	1 Depth of Drive Assembly
	2	721058	1 Washer, Flat	*●	39	41607301A 1 Trigger Valve Assembly (RPLS 720404, 23303804A)
	3	720408	1 Cover, Exhaust		40	720407 1 Spring
	4	720482	2 Washer, Wave		41	720420 1 Trigger, Sequential Fire (Grey)
■	5	720458	9 Bolt SHC		42	720431 1 Bracket
	6	720409	1 Cap		43	721053 1 Nut, Lock
	7	720417	1 Spacer	■	44	720300 2 Bolt SHC (RPLS 720456)
	8	720412	1 Stop, Piston	■	45	720455 3 Bolt SHC
	9	720410	1 Spring		46	720443 1 Plate, Nose (Driver Guide)
*●	10	720465	1 O-Ring		47	720445 1 Probe
	11	720411	1 Piston, Main Valve	■	48	720454 3 Bolt SHC
*●	12	720469	2 O-Ring		49	720446 1 Lever, Safety
*●	13	720467	1 O-Ring	●	50	905588 1 E-Ring (RPLS 720335, ER0300R)
	14	720413	1 Collar	*●	51	720462 1 O-Ring
*●	15	720414	1 Gasket, Cap		52	720423 1 Shaft, Depth of Drive Adjustment
*	16	720441	1 Driver & Piston Assembly		53	720476 2 Pin, Roll
*●	17	720466	1 O-Ring, Piston		54	720444 1 Plate, Nose Support
	18	720415	1 Cylinder	■	55	720457 2 Bolt SHC
*●	19	720468	1 O-Ring		56	720442 1 Nose
*●	20	720470	1 O-Ring		57	720449 1 Magazine Assembly
	21	720416	1 Ring, Bulkhead		58	720434 1 Stop, Magazine
*●	22	720472	1 O-Ring		59	720435 1 Pusher
	23	720427	2 Pin, Step		60	720400 2 Guide Block, Spring
	24	720419	1 Body Housing		61	720451 2 Spring
*	25	720418	1 Bumper		62	720473 2 Pin, Roll
	26	720452	1 Seal Washer, Driver		63	720448 1 Cover, Magazine
*●	27	919017	1 O-Ring → (RPLS 720461)		64	720477 2 Bolt UH (RPLS 720485)
*●	28	720471	1 O-Ring		65	720432 1 Latch, Magazine
	29	720447	1 Flange, Nose		66	720421 1 Spring
■	30	720459	4 Bolt SHC		67	720436 1 Cover, Magazine
*●	31	720424	1 Gasket, Inlet Cap		68	720437 1 Pin, Step
	32	720425	1 Cap, Inlet (Orange)		69	720033 2 Nut, Lock (RPLS 720330)
	33	720453	1 Circlip	■	70	720483 2 Bolt SHC
	34	720426	1 Hook, Belt		71	720450 1 Support Stand Stabilizer
*●	35	OR01919N	3 O-Ring (RPLS 721020)		72	010003 AR Service Kit
	36	720474	1 Pin, Roll (Short)			
	37	720475	1 Pin, Roll (Long)			

- \* Normal Wear Items
- Included in Service Kit
- Apply Loctite® 242 (Blue)
- ▲ Apply grease to threads
- New Change
- AR As Required

Accessories supplied in box

- 1 x 30ml Oil
- 1 x 3mm Hex Key
- 1 x 5mm Hex Key
- 1 x Safety Glasses

Tool supplied with 1/4 NTP Nitto® style air adaptor (installed)

Optional accessories:

Universal nylon tool carry bag PN 502934



- Use eye protection when cleaning tools.
- Use eye and ear protection when operating/testing tools.
- Use degreaser in a well ventilated area

- Use only approved Paslode Compressor Tool Oil PN F27625.
- Never use mineral based oils.
- Oil tool daily with 4 to 6 drops via air inlet connection.
- Heavy usage will require more frequent oiling.

- Operating air pressure at the tool inlet: 550-760 kpa (80-110 psi).
- Never exceed the maximum stated air pressure.
- Regularly check the regulator and pressure gauge operation.

A water/oil trap must be installed on the regulator outlet and drained regularly.

Never use bottled air or gases such as oxygen to operate the tool.



**WARNING: All parts must be periodically inspected and replaced if worn or damaged. Failure to comply can affect the tool's operation and present a safety hazard.**

## Change Notes

### Revision 1-3

Item	Part No.	Item Description	Change	Action/Change Description
*65	720401	Nail Guide Liner	Availability	POA <sup>1</sup> 57, Magazine Assembly 720449
*82	720479	Set Plate	Design	Enhancement. Parts obsolete.
*83	720480	Latch Plate		
*84	720481	Bolt UH		
4	720482	Wave Washer		
32	720425	Inlet Cap (Black)		Introduction of part
44	720456	Bolt SHC	Format	Inlet Cap colour changed to orange. No PN change
				Replaced by 720300 (PN duplication)

<sup>1</sup> POA - Purchase on Assembly

\*Item numbering per previous revision

### Revision 4

Item	Part No.	Item Description	Change	Action/Change Description
*31	720017	O-Ring	Availability	POA <sup>1</sup> 39, Trigger Valve Assembly 41607301A
*32	720402	Trigger Valve Body (inner)		
*33	720234	O-Ring		
*34	720235	O-Ring		
*35	720405	Trigger Valve Piston		
*36	720463	O-Ring		
*37	720242	O-Ring		
*38	720277	Spring		
*39	720406	Spool Valve		
*40	720460	O-Ring		
*41	720464	O-Ring		
*42	720403	Trigger Valve Body (outer)		
27	720461	O-Ring		Replaced by 919017
35	721020	O-Ring	Format	Replaced by OR01919N
39	720404	Trigger Valve Assembly	Manufacturing	Replaced by 23303804A (Superceded)
	23303804A			Replaced by 41607301A
50	720335	E-Ring	Format	Replaced by ER0300R (Superceded)
	ER0300R			Replaced by 905588
64	720485	Bolt UH		Replaced by 720477 (PN duplication)
69	720330	Lock Nut		Replaced by 720033 (PN duplication)
N/A	Various	Assemblies/Flag Notes	Schematic	Format updated Defined available assemblies Added Service Kit & Kit item flags Added Loctite <sup>®</sup> flags
N/A	Various	Parts/Notes	Parts Legend	Format updated Adopted conventional naming Updated Loctite <sup>®</sup> and item usage Added Service Kit & Kit item flags

<sup>1</sup> POA - Purchase on Assembly

\*Item numbering per previous revision