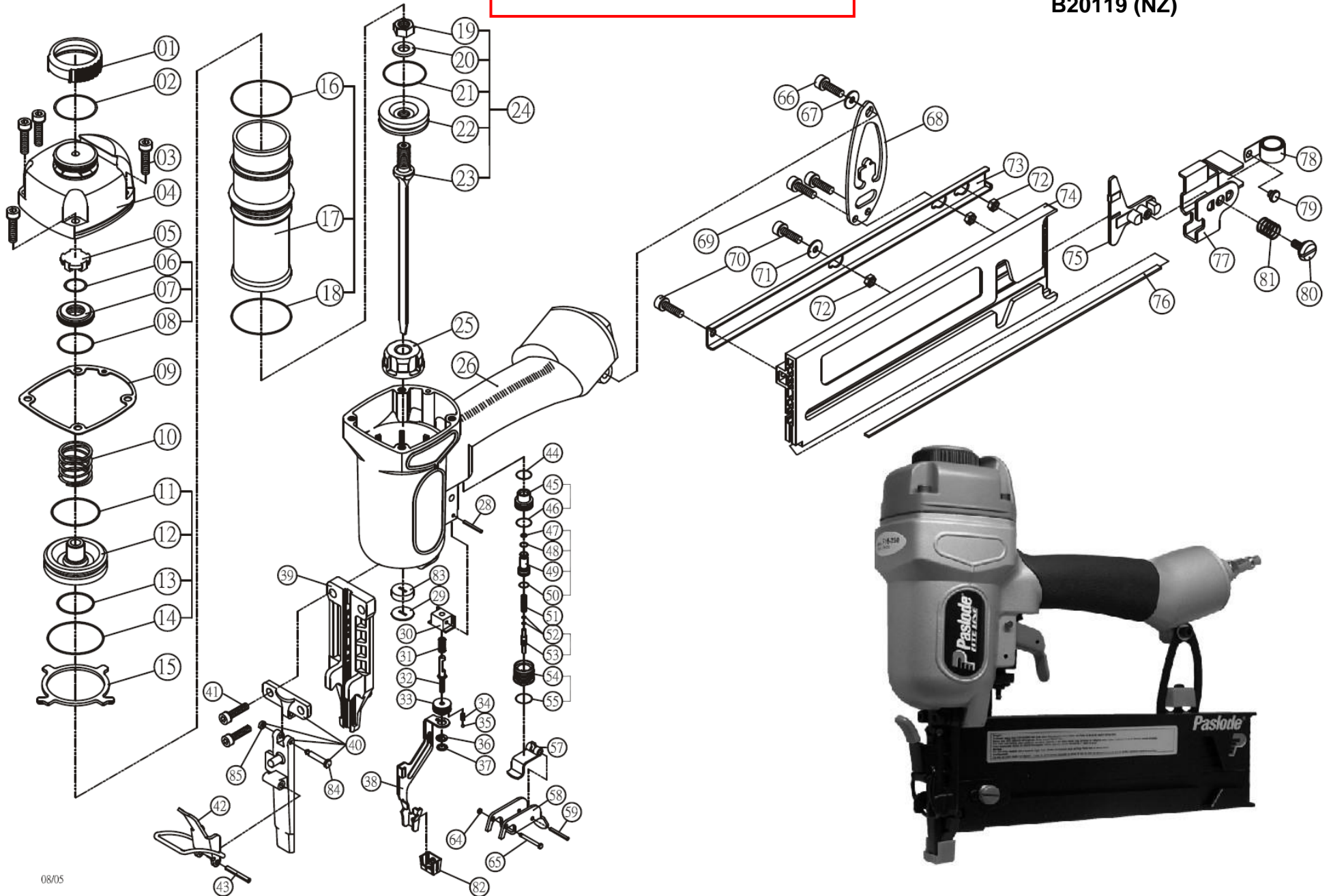


REFERENCE ONLY  
NO SPARE PARTS SUPPORT

Paslode Lite-Line F16-250  
16G Straight Bradder  
B20119 (NZ)



## PARTS LEGEND

## F16-250

## B20119

1	ES-18	NP Deflector, Exhaust	44	WOR-01	NP O-Ring
2	OR-61	NP O-Ring	45	VS-04	NP Cap, Trigger Valve
3	M5X25	NP Screw SHC	46	OR-21	NP O-Ring
4	CA-15	NP Cap	47	OR-22	NP O-Ring
5	ES-19	NP Exhaust	48	OR-23	NP O-Ring
6	OR-01	NP O-Ring	49	VS-05	NP Valve, Pilot
7	CA-11	NP Guide, Valve	50	OR-24	NP O-Ring
8	OR-62	NP O-Ring	51	SP-02	NP Spring
9	WS-32	NP Gasket	52	OR-25	NP O-Ring
10	SP-01	NP Spring	53	VS-33	NP Stem, Trigger
11	OR-71	NP O-Ring	54	VS-07	NP Housing, Trigger Valve
12	PV-10	NP Valve, Main	55	OR-14	NP O-Ring
13	OR-04	NP O-Ring	56		NP Obsolete
14	OR-55	NP O-Ring	57	TG-06	NP Lever, Trip
15	WS-36	NP Ring, Retaining	58	TG-12	NP Trigger
16	OR-73	NP O-Ring	59	SM-10	NP Pin, Roll
17	CY-20	NP Cylinder	60		NP Obsolete
18	OR-12	NP O-Ring	61		NP Obsolete
19	M8	NP Nut	62		NP Obsolete
20	WS-20	NP Washer	63		NP Obsolete
21	OR-34	NP O-Ring	64	WOR-10	NP O-Ring
22	PS-09	NP Piston	65	SM-43	NP Pin, Trigger
23	DB-29	NP Driver Blade	66	M5X16	NP Screw (ALT M5*16)
24	PS-52	NP Piston & Driver Assembly	67	WS-01	NP Washer
25	BP-13	NP Bumper	68	HR-31	NP Bracket
26	BD-26	NP Body Housing	69	M5X12	NP Screw
27		NP Obsolete	70	M5X10	NP Screw
28	SM-11	NP PIN, Roll	71	WS-01	NP Washer
29	SW-03	NP Seal, Driver	72	M5	NP Nut
30	ES-22	NP Guide, Safety	73	FC-21	NP Cover, Magazine
31	SP-43	NP Spring	74	MZ-34	NP Magazine
32	SM-41	NP Pin, Safety	75	FD-24	NP Follower
33	SM-42	NP Knob, DoD Adjusting	76	FC-22	NP Cover, Magazine
34	SP-36	NP Spring	77	FD-25	NP Housing, Follower
35	SM-39	NP Ball	78	SP-03	NP Spring, Negator
36	Z-03	NP E-Ring	79	SM-29	NP Retainer, Spring
37	Z-04	NP E-Ring	80	FM-02	NP Screw
38	ST-25	NP Arm, Safety Contact	81	SP-29	NP Spring
39	P-31	NP Wear Plate	82	ES-23	NP No Mar Tip
40	FP-72	NP Front Plate	83	SW-08	NP Seal, Driver
41	M5X20	NP Screw SHC	84	SM-76	NP Pin, Step
42	DL-02	NP Latch	85	OR-113	NP O-Ring
43	SM-23	NP E-Ring			

NP = Non-Procurable