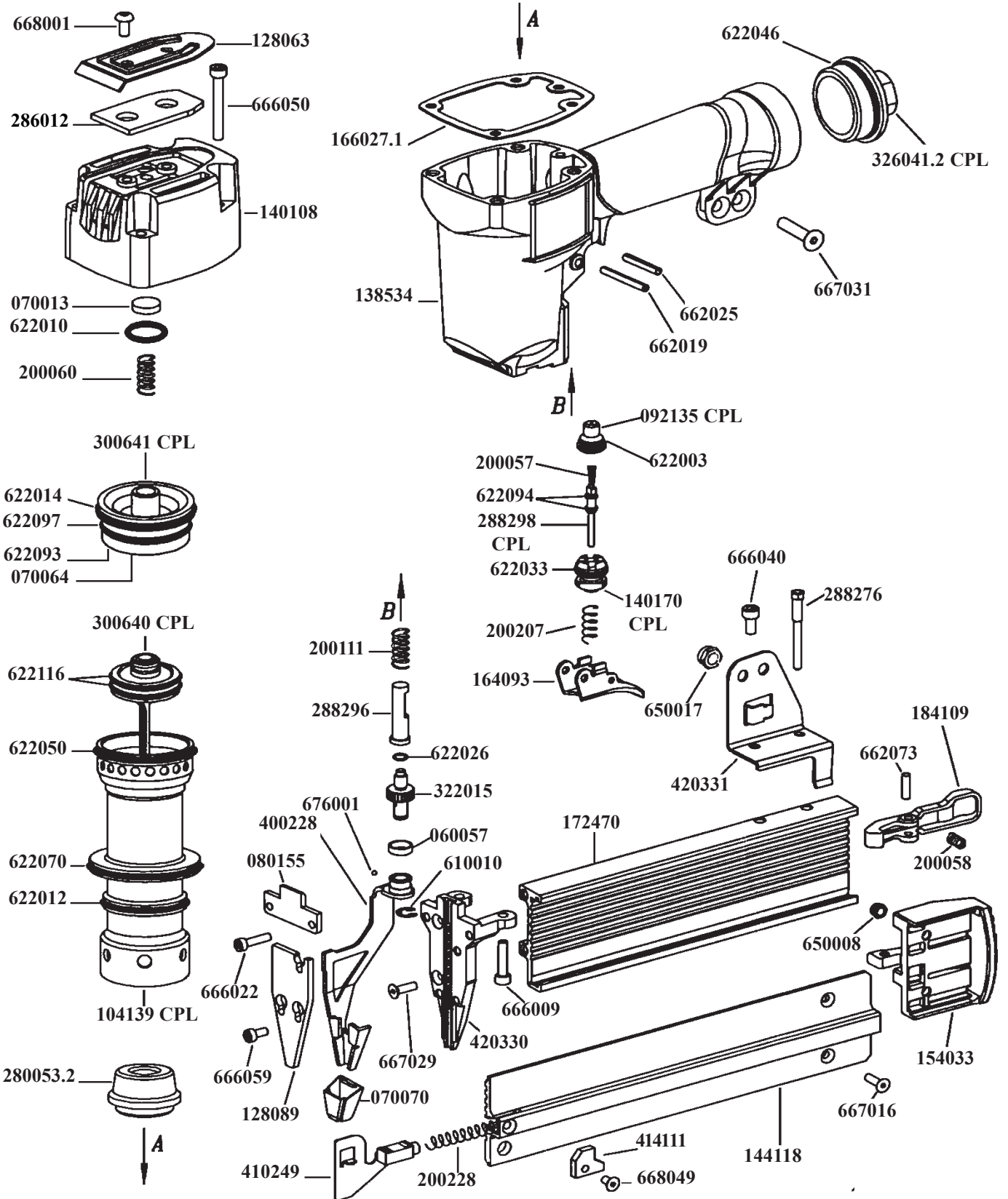


ESP	MACHINE CODE	DESC.
0	B20117	P3C FN-50A



**MACHINE CODE**  
**B20117**

**MODEL**  
**P3C FN - 50A**

**PARTS LIST**

CODE	QTY	DESCRIPTION	CODE	QTY	DESCRIPTION
060057	1	RING	622046	R 1	O-RING
070013	R 1	BUFFER	622050	R 1	O-RING
070064	R 1	BUFFER	622070	R 1	O-RING
070070	R 1	BUFFER	622093	R 1	O-RING
080155	1	DRIVER REST 90	622094	R 2	O-RING
092135	1	CPL VALVE BUSH	622097	R 1	O-RING
104139	1	CPL CYLINDER	622116	R 2	O-RING
128063	1	COVER	640001	1	ALLEN KEY
128089	1	COVER	650008	R 2	LOW SELF LOCK NUT
138534	1	BODY W/BUSH	650017	R 2	LOW SELF LOCK NUT
140108	1	CPL CAP	662019	R 1	ELAST SPIR HEAVY PIN 4X26
140170	1	CPL TRIGGER VALVE	662025	R 1	ELAST SPIR HEAVY PIN 4X22
144118	1	BASIC SLIDER	662073	R 1	PIN
154033	1	ADAPTER	666009	R 2	SCREW TCEI M4X10
164093	1	CPL TRIGGER	666022	R 2	SCREW
166027.1	R 1	GASKET	666040	R 1	SCREW TCEI
172470	1	LOADER	666050	R 4	SCREW
184109	1	CATCH	666059	R 3	SCREW TCEI
200057	R 1	SPRING	667016	R 2	SCREW TSEI
200058	R 1	SPRING	667029	R 2	SCREW TSEI
200060	R 1	SPRING	667031	R 2	SCREW TSEI M6X18
200111	R 1	SPRING	668001	R 2	SCREW TSEI M5X10
200207	R 1	SPRING	> 668049	R 1	SCREW
200228	R 1	SPRING	676001	2	BALL
> 280053.2	R 1	BUMPER			
286012	1	SILENCER			
288276	1	PIN			
288296	1	PIN			
288298	1	CPL STUD			
300640	R 1	CPL DRIVER PISTON			
300641	1	CPL VALVE PISTON			
322015	1	ADJUSTER			
> 326041.2	1	CPL ADAPTER 3/8 19 THREAD			
400228	R 1	SAFETY			
> 410249	R 1	PUSHER			
> 414111	1	SLIDER STOP			
420330	1	NOSE PIECE			
420331	1	HOLDER			
610010	R 1	STOP RING			
622003	R 1	O-RING			
622010	R 1	O-RING			
622012	R 1	O-RING			
622014	R 1	O-RING			
622026	R 2	O-RING			
622033	R 1	O-RING			

R = RECOMMENDED SPARE PARTS  
> = DENOTES NEW CHANGE