



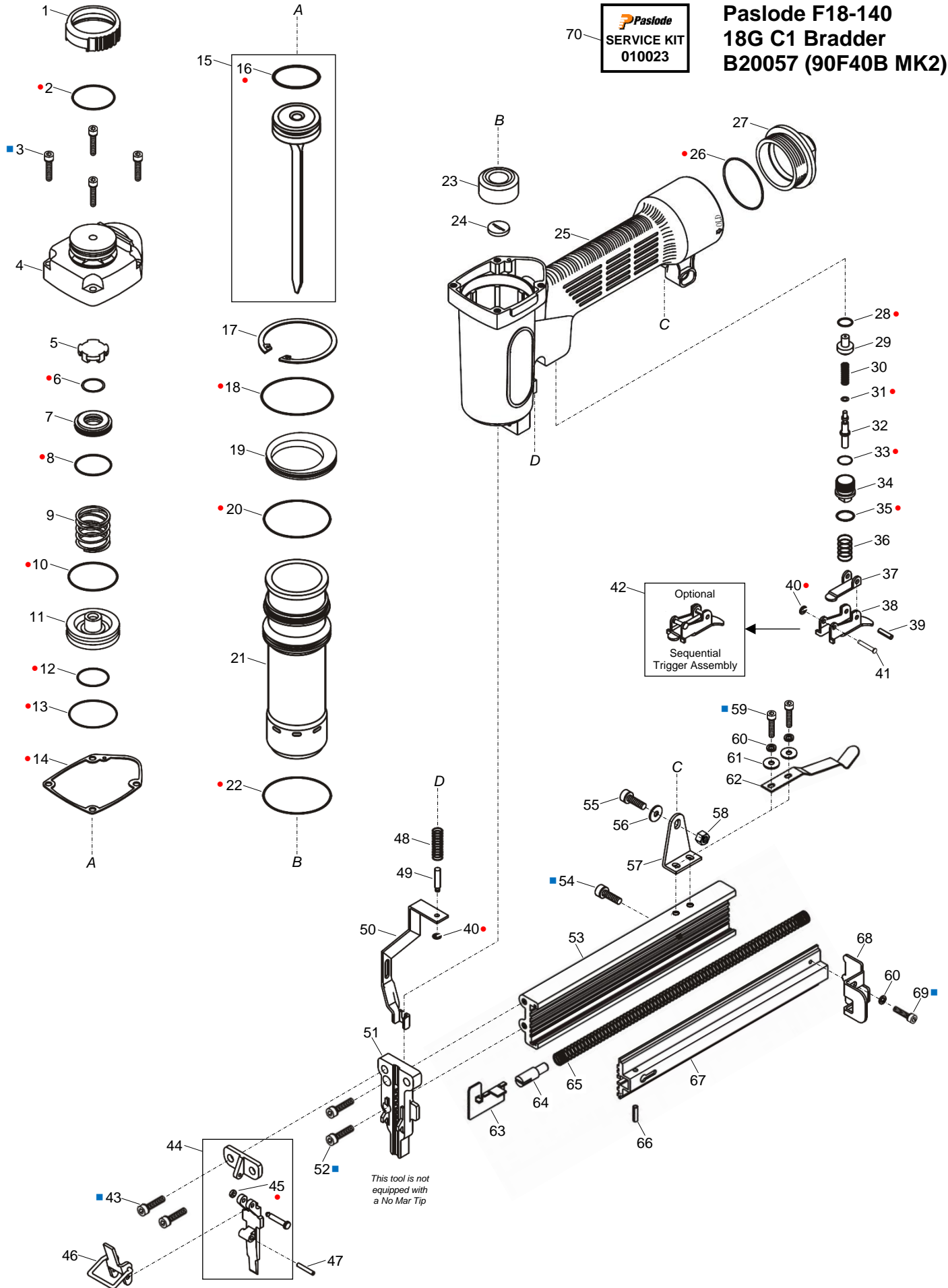
**PNEUMATIC F18-140
18G C1 BRADDER
B20057 (90F40B MK2)**



ILLUSTRATED PARTS LIST

Paslode
SERVICE KIT
010023

Paslode F18-140
18G C1 Bradder
B20057 (90F40B MK2)



• Service Kit Item
 ■ Loctite® 242

All parts sold as single items unless described as a set etc., or forms part of an assembly (multiple items defined within a box). A part with no item number is only available in an assembly.

PARTS LEGEND

PASLODE F18-140 (90F40B MK2) LITELINE C1 BRADDER

B20057

1	WES-18	1 Defector, Exhaust	36	WSP-13	1 Spring		
* ●	2	WOR-61	1 O-Ring	37	WTG-02	1 Lever, Trip (Bump)	
■	3	WM5X25	4 Screw SHC	38	WTG-01	1 Trigger	
	4	WCA-10	1 Cap	39	WSM-03	1 Pin, Roll	
	5	WES-19	1 Exhaust	* ●	40	WE-25	2 E-Ring (RPLS WE-2.5)
* ●	6	WOR-01	1 O-Ring	41	WSM-04	1 Pin, Step	
	7	WCA-11	1 Guide Piston, Main Valve	→	42	WTG-70	1 Trigger Assembly, Sequential (Optional)
* ●	8	WOR-62	1 O-Ring	■	43	WM5X20	2 Screw SHC
	9	WSP-01	1 Spring	44	WFP-69	1 Plate Assembly, Nose	
* ●	10	WOR-03	1 O-Ring, Main Valve	●	45	WOR-103	1 O-Ring, Retaining
	11	WPV-08	1 Piston, Main Valve	46	WDL-03	1 Latch	
* ●	12	WOR-04	1 O-Ring, Main Valve Piston Stop	47	WSM-22	1 Pin, Roll	
* ●	13	WOR-05	1 O-Ring, Cylinder Seal	48	WSP-12	1 Spring, Probe	
* ●	14	WWS-30	1 Gasket, Inlet Cap	49	WSM-83	1 Shaft, Probe	
*	15	WPS-45	1 Piston & Driver Assembly	50	WST-16	1 Probe	
* ●	16	WOR-07	1 O-Ring, Piston	51	WP-25	1 Nose	
	17	WSP-35	1 Circlip	■	52	WM4X12	2 Screw SHC
* ●	18	WOR-63	1 O-Ring, Bulkhead	53	WMZ-01	1 Magazine	
	19	WCY-14	1 Bulkhead	■	54	WM5X8	1 Screw SHC (Magazine Stop)
* ●	20	WOR-64	1 O-Ring, Cylinder	55	WM5X18	1 Screw SHC	
	21	WCY-15	1 Cylinder	56	WWS-01	1 Washer 5mm, Flat	
* ●	22	WOR-65	1 O-Ring, Cylinder	57	WHR-01	1 Bracket	
*	23	WBP-01	1 Bumper	58	WM5	1 Nut 5mm, Lock	
	24	WSW-01	1 Seal, Driver	■	59	WM4X10	2 Screw SHC
	25	WBD-22	1 Body Housing	60	WWS-02	3 Washer 4mm, Spring	
* ●	26	WOR-55	1 O-Ring, Inlet Cap	61	WWS-07	2 Washer 4mm, Flat	
	27	WCA-12	1 Cap, Inlet	62	WSP-11	1 Latch, Magazine	
* ●	28	WOR-09	1 O-Ring	63	WFD-01	1 Pusher	
	29	WVS-28	1 Housing, Inner Trigger Valve	64	WES-03	1 Guide, Pusher & Spring	
	30	WSP-34	1 Spring	65	WSP-05	1 Spring, Pusher	
* ●	31	WOR-10	1 O-Ring, Spool Valve	66	WSM-07	1 Pin, Roll	
	32	WVS-29	1 Spool Valve, Trigger Valve	67	WMC-01	1 Cover, Magazine	
* ●	33	WOR-20	1 O-Ring	68	WFC-07	1 Cover, Magazine End	
	34	WVS-27	1 Housing, Outer Trigger Valve	■	69	WM4X8	1 Screw SHC
* ●	35	WOR-11	1 O-Ring	→	70	010023	AR Service Kit

- * Normal Wear Items
 - Included in Service Kit
 - Apply Loctite® 242 (Blue)
 - New Change
- AR As Required

Accessories supplied in carry case*

- 1 x 30ml Oil
- 1 x 3mm Hex Key
- 1 x 4mm Hex Key
- 1 x Safety Glasses

*Carry case non-procurable

Tool supplied with 1/4 NTP Hansen® style air adaptor (installed)
Refer item (42) for Optional Sequential Trigger Assembly



- Use eye protection when cleaning tools.
- Use eye and ear protection when operating/testing tools.
- Use degreaser in a well ventilated area

Use only approved Paslode Compressor Tool Oil PN F27625.
Never use mineral based oils.
Oil tool daily with 2 to 4 drops via air inlet connection.
Heavy usage will require more frequent oiling.

Operating air pressure at the tool inlet: 480-690 kpa (70-100 psi).
Never exceed the maximum stated air pressure.
Regularly check the regulator and pressure gauge operation.

A water/oil trap must be installed on the regulator outlet and drained regularly.

Never use bottled air or gases such as oxygen to operate the tool.



**WARNING: All parts must be periodically inspected and replaced if worn or damaged.
Failure to comply can affect the tool's operation and present a safety hazard.**

Change Notes

Revision 0

Item	Part No.	Item Description	Change	Action/Change Description
N/A	Various	M/V Piston Guide Assy	Availability	Non-procurable
		Main Valve Assy		
22*		Piston		POA 15, Piston & Driver Assembly WPS-45
23*		Driver		
31*		Nose Support Plate		
32*	Nose Plate	POA 44, Nose Plate Assembly WFP-69		

¹ Purchase on Assembly

*Item numbering per previous revision

Revision 1

Item	Part No.	Item Description	Change	Action/Change Description
39*	WE-2.5	E-Ring	Format	Duplicate item. Deleted 39* & updated item 40 quantity
71*	WWS-02	Washer, Spring		Duplicate item. Deleted 71* & updated item 60 quantity
N/A	Various	Assemblies/Flag Notes	Schematic	Added Service Kit & Kit item flags Added Loctite® flags
		Parts/Notes	Parts Legend	Adopted conventional naming Added Service Kit & Kit item flags Added Loctite® and item usage

*Item numbering per previous revision

Revision 2

Item	Part No.	Item Description	Change	Action/Change Description
74*	WSM-74	Step Pin	Availability	POA 44, Nose Plate Assembly WFP-69 (Removed from parts list – Not itemised in R0 schematic)
42	WTG-70	Trigger Assy (Seq.)		Introduced Optional Sequential Trigger Assembly
70	010023	Service Kit		Introduced Service Kit
N/A	Various	Assemblies/Flag Notes	Schematic	Complete layout re-design & re-numbering for clarity Defined available ANZ assemblies
		Parts/Notes	Parts Legend	Re-numbered for clarity

¹ Purchase on Assembly

*Item numbering per previous revision