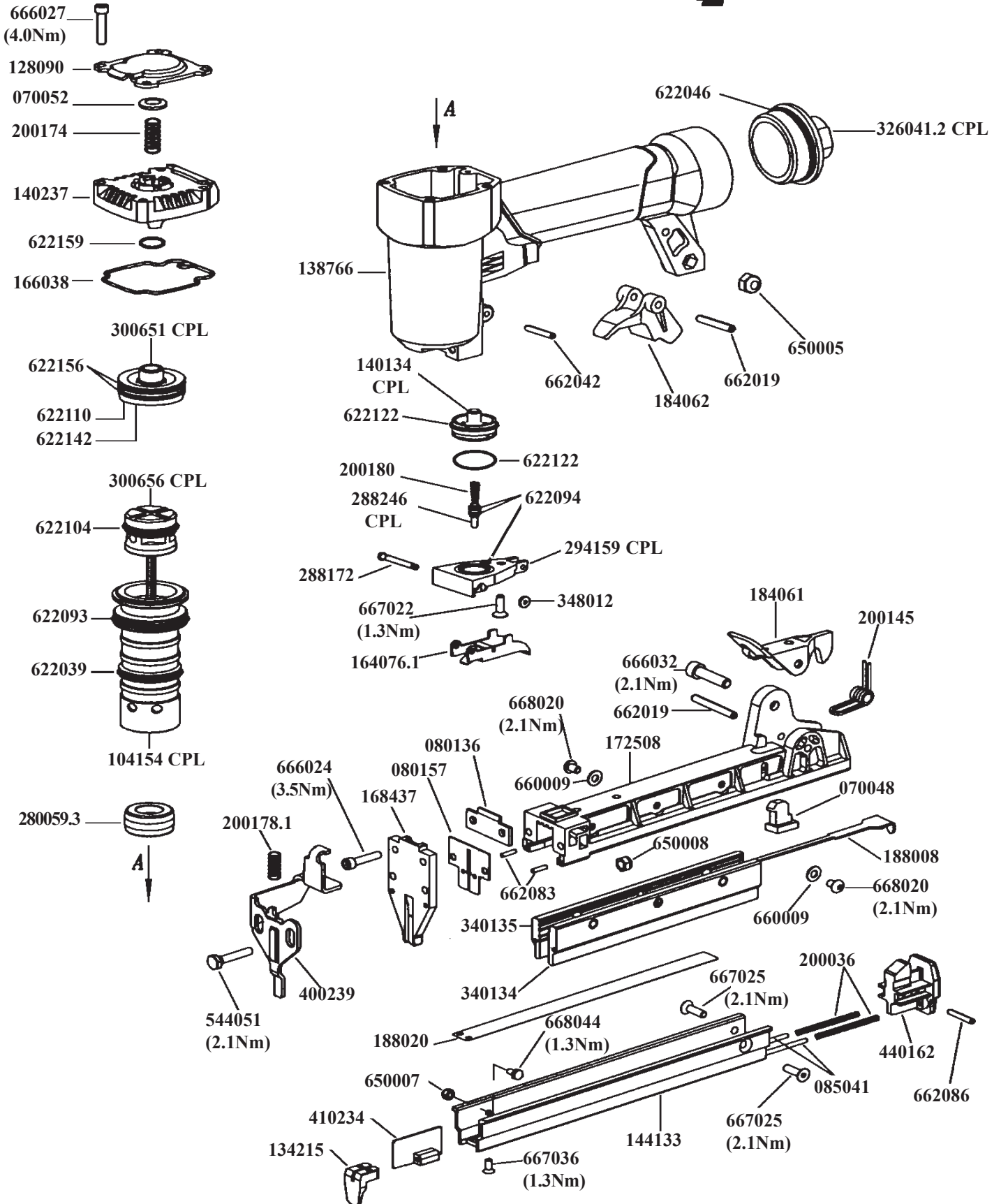


| ESP | MACHINE CODE | DESC. |
|-----|--------------|----------------|
| 6 | B20018 | P21P GA 18/31A |



MACHINE CODE
B20018

MODEL
P21P GA18-31A

PARTS LIST

| CODE | QTY | DESCRIPTION | CODE | QTY | DESCRIPTION |
|-------------|------------|--------------------|-------------|------------|--------------------|
| 070048 | R 1 | BUFFER | 622142 | R 1 | ORING |
| 070052 | R 1 | BUFFER | 622156 | R 2 | ORING |
| 080136 | 1 | REST | 622159 | 1 | ORING |
| 080157 | 1 | REST | 650005 | R 1 | NUT |
| 085041 | 2 | BAR | 650007 | R 1 | NUT |
| 104154 | 1 | CPL CYLINDER | 650008 | R 2 | NUT |
| 128090 | 1 | COVER | 660009 | R 6 | WASHER |
| 134215 | 1 | NOSE RAIL | 662019 | R 2 | PIN |
| 138766 | 1 | BODY | 662042 | R 1 | PIN |
| 140134 | 1 | REMOTE CONTROL | 662083 | R 4 | PIN |
| 140237 | 1 | CAP | 662086 | R 1 | PIN |
| 144133 | 1 | SLIDER | 666024 | R 2 | SCREW |
| 164076.1 | 1 | CPL TRIGGER | 666027 | R 4 | SCREW |
| 166038 | R 1 | GASKET | 666032 | R 1 | SCREW |
| 168437 | 1 | PLATE | 667022 | R 1 | SCREW |
| > 172508 | 1 | LOADER | 667025 | R 2 | SCREW |
| 184061 | 1 | CATCH | 667036 | R 2 | SCREW |
| 184062 | 1 | CATCH | 668020 | R 6 | SCREW |
| 188008 | 1 | INSERT | 668044 | R 1 | SCREW |
| 188020 | 1 | INSERT | | | |
| 200036 | R 2 | SPRING | | | |
| 200145 | R 1 | SPRING | | | |
| 200174 | R 1 | SPRING | | | |
| 200178.1 | R 1 | SPRING | | | |
| 200180 | R 1 | SPRING | | | |
| > 280059.3 | R 1 | BUMPER | | | |
| 288172 | 1 | PIN | | | |
| 288246 | 1 | CPL STUD | | | |
| 294159 | R 1 | CPL PLATE | | | |
| 300651 | 1 | CPL PISTON | | | |
| 300656 | R 1 | CPL DRIVER PISTON | | | |
| > 326041.2 | 1 | CPL ADAPTOR | | | |
| > 340134 | 1 | INSERT | | | |
| > 340135 | 1 | INSERT | | | |
| 348012 | 1 | STOP RING | | | |
| 400239 | 1 | SAFETY | | | |
| 410234 | 1 | PUSHER | | | |
| 440162 | 1 | SLOT | | | |
| 544051 | R 2 | SCREW | | | |
| 622039 | R 1 | ORING | | | |
| 622046 | R 1 | ORING | | | |
| 622093 | R 1 | ORING | | | |
| 622094 | R 3 | ORING | | | |
| 622104 | R 1 | ORING | | | |
| 622110 | R 1 | ORING | | | |
| 622122 | R 2 | ORING | | | |

R = RECOMMENDED SPARE PARTS
> = DENOTES NEW CHANGE