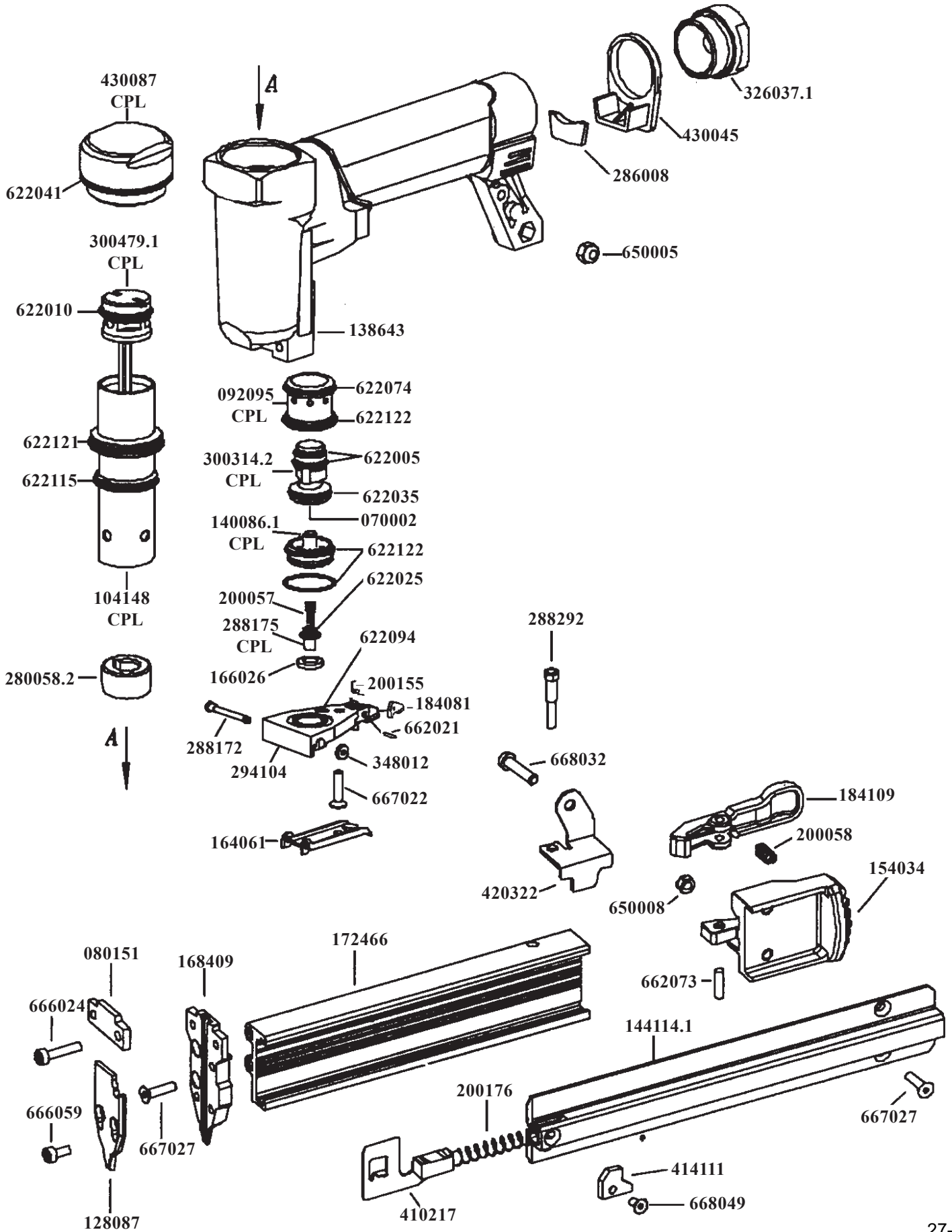


ESP 5	MACHINE CODE B19980E	
DESC.	F1A MB-25A	
BODY	138643	



MACHINE CODE
B19980E

MODEL
F1A MB - 25A

CODE	QTY	DESCRIPTION	CODE	QTY	DESCRIPTION
070002	R 1	BUFFER	662021	R 1	PIN
080151	1	REST	662073	R 1	PIN
092095	1	CPL BUSH	666024	R 2	SCREW
104148	1	CPL CYLINDER	666059	R 3	SCREW
128087	1	COVER	667022	R 1	SCREW
> 138643	1	BODY	667027	R 4	SCREW
140086.1	1	TRIGGER VALVE	668032	R 1	SCREW
144114.1	1	SLIDER	> 668049	R 1	SCREW
154034	1	ADAPTER			
164061	1	TRIGGER			
166026	R 1	GASKET			
168409	1	PLATE			
172466	1	LOADER			
184081	1	TRIGGER LEVER W/THUMB SAFETY			
184109	1	CATCH			
200057	R 1	SPRING			
200058	R 1	SPRING			
200155	R 1	SPRING			
200176	R 1	SPRING			
280058.2	R 1	BUMPER			
286008	1	MUFFLER			
288172	1	PIN			
288175	1	CPL PIN			
288292	1	PIN			
294104	1	CPL TRIGGER PLATE			
> 300314.2	1	CPL TRIGGER VALVE			
300479.1	R 1	CPL DRIVER PISTON			
326037.1	1	ADAPTER			
348012	1	STOP RING			
410217	R 1	PUSHER			
> 414111	1	SLIDER STOP			
420322	1	HOLDER			
430045	1	COVER			
430087	1	CPL CAP			
622005	R 2	O-RING			
622010	R 1	O-RING			
622025	R 1	O-RING			
622035	R 1	O-RING			
622041	R 1	O-RING			
622074	R 1	O-RING			
622094	R 1	O-RING			
622115	R 1	O-RING			
622121	R 1	O-RING			
622122	R 3	O-RING			
640001	1	REMOVED			
650005	R 1	NUT			
650008	R 2	NUT			

R = RECOMMENDE SPARE PARTS

> = DENOTES NEW CHANGE