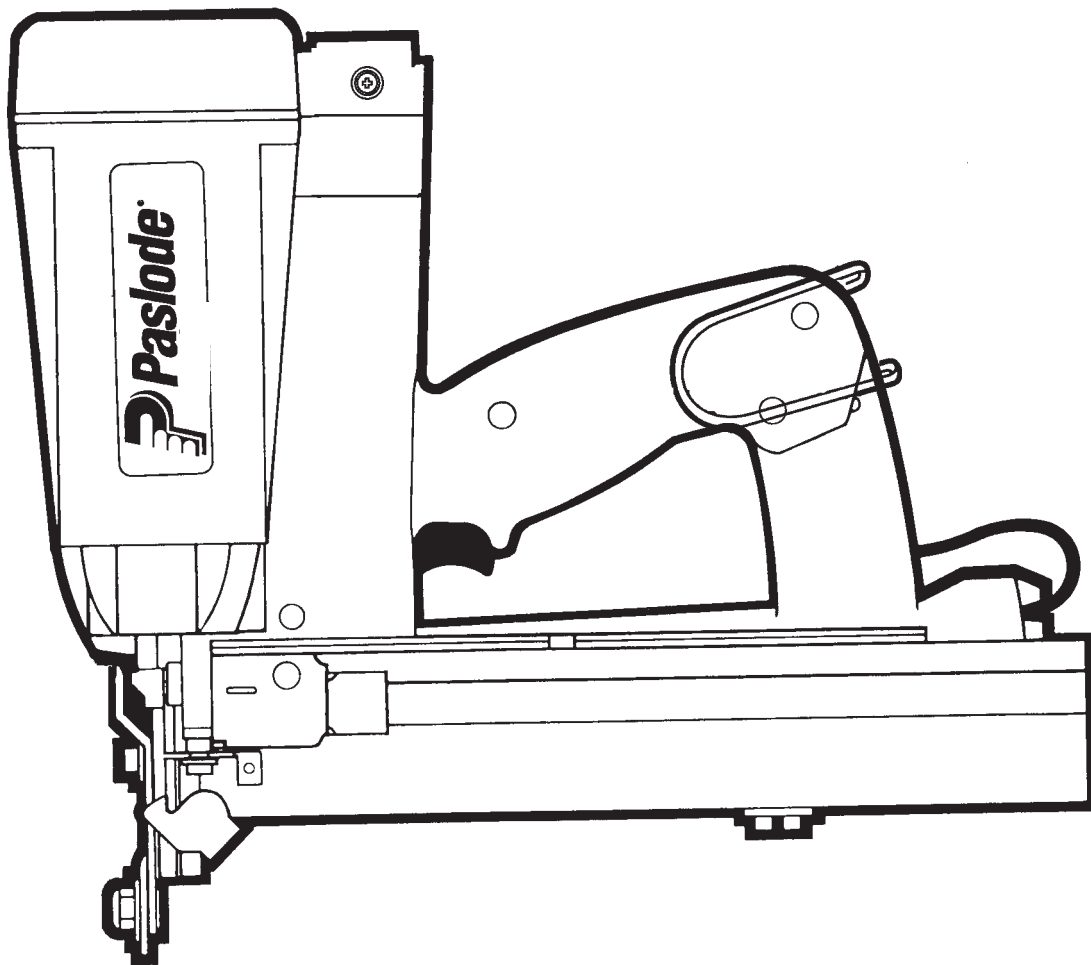




MACHINE CODE : A16520

MODEL IM200/50 S16
IMPULSE STAPLER



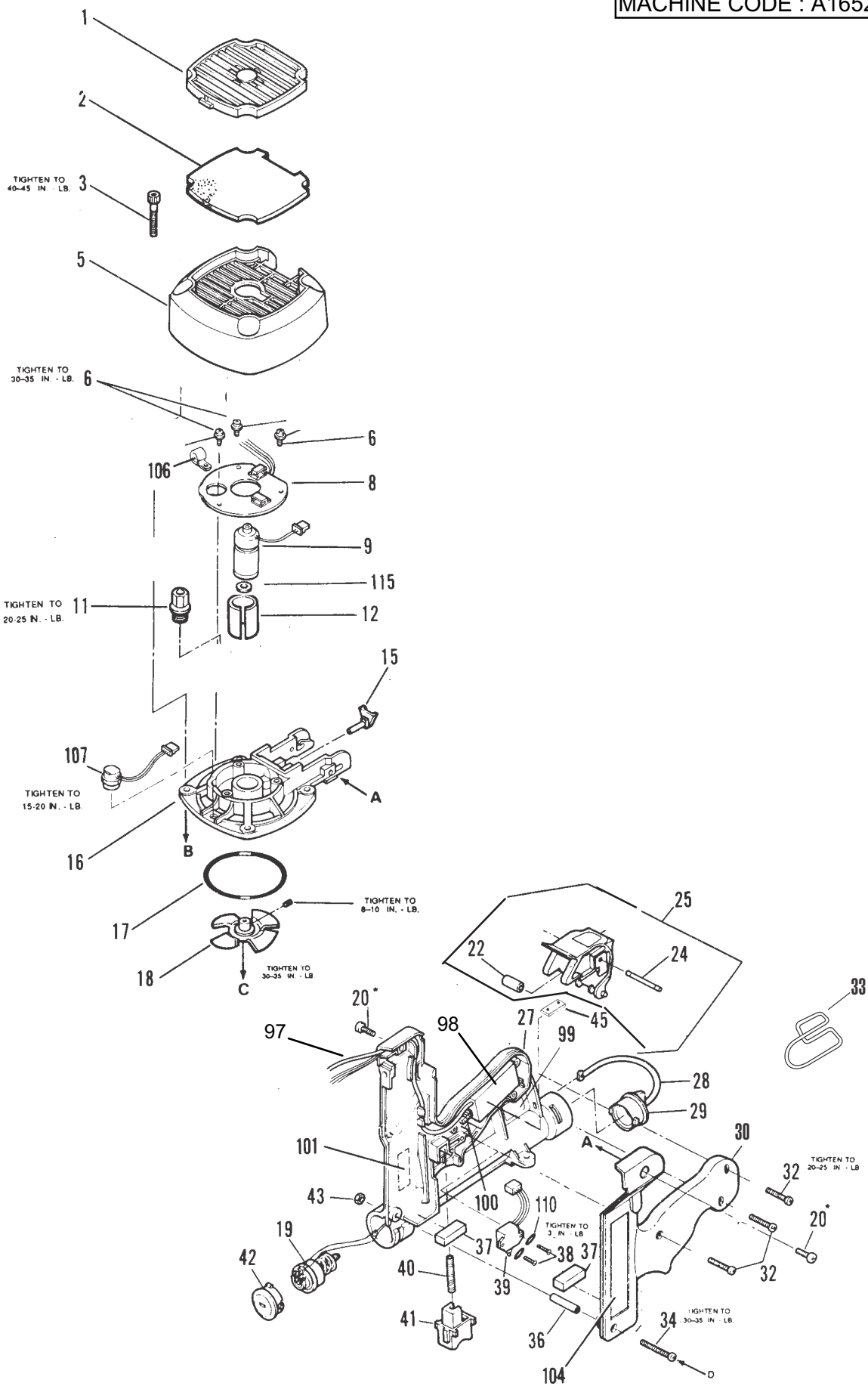
IMPORTANT!

DO NOT DESTROY

Always refer to operators manual #403627 for detailed information on this tool. It is the customer's responsibility to have all operators and service personnel read and understand this information.

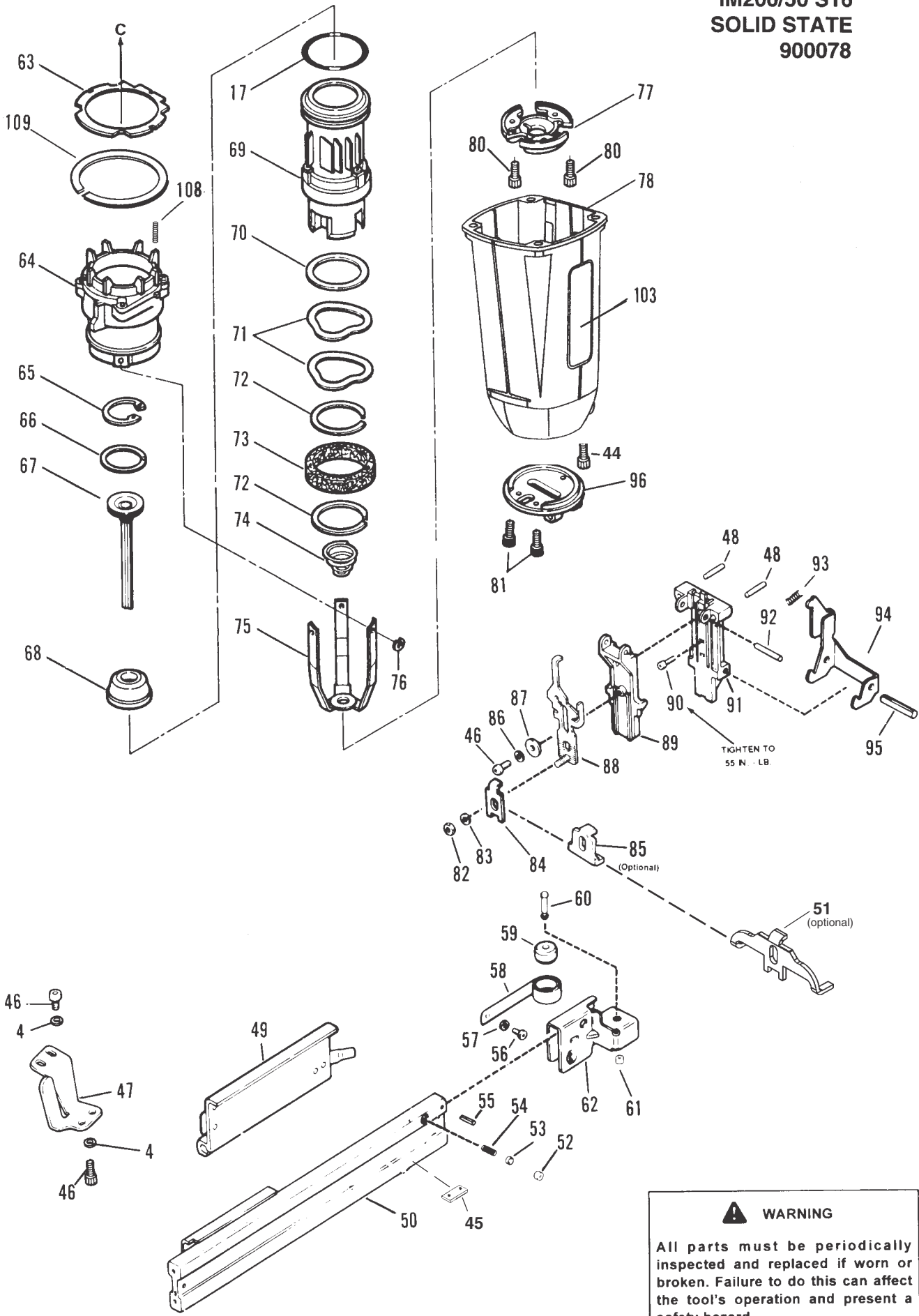
TOOL SCHEMATIC AND PARTS

MACHINE CODE : A16520



MACHINE CODE : A16520

IM200/50 S16
SOLID STATE
900078



⚠ WARNING
All parts must be periodically inspected and replaced if worn or broken. Failure to do this can affect the tool's operation and present a safety hazard.

MACHINE CODE : A16520

PARTS LEGEND IM200/50 S16 SOLID STATE, 900078

1	900356	1	Grill	58	091532	1	Negator
2	900455	1	Filter	59	091534	1	Drum, Negator
3	901065	4	Shoulder Screw, 10-24 x 1-1/4	60	402743	1	Pin, Negator Drum
4	008388	4	Flat Washer #10	61	402668	1	Retaining Washer
5	900960	1	Cap Assembly	62	402796	1	Follower
6	900969	3	Screw, Taptite, 8-32 x 5/8	63	403104	1	Air Dam
7	006562	3	REMOVED	64	403100	1	Combustion Chamber Assembly
8	900271	1	Circuit Board Assembly	65	403099	1	Retaining Ring, Piston
> 9	900573	1	Motor & Connector	66	403098	1	Piston Ring
10	403842	1	REMOVED	*67	404665	1	Piston Driver Blade Assembly
11	900287	1	Spark Plug Assembly OLD 401341	68	403094	1	Bumper
12	401356	1	Sleeve, Motor	69	403084	1	Sleeve/ Midcheck Ring Assembly
13	900470	1	REMOVED	70	403089	1	Seal Washer
14	401355	1	REMOVED	71	403090	2	Wave Washer
15	403146	1	Stem Adapter (Yellow)	72	403092	2	Retaining Ring, Midcheck
16	900004	1	Cylinder Head	73	403091	1	Muffler
*17	404700	2	O-Ring	74	404339	1	Spring, Chamber Return
18	403167	1	Fan Blade Assembly	75	403106	1	Cage
19	900011	1	Battery Contact Assembly	76	403713	3	E-Ring, Retaining
20	900968	2	Shoulder Screw, 10-32 x 9/16	77	404316	1	Flange, Sleeve
22	404432	1	Bushing, Actuator	78	900411	1	Housing Assembly
23	900415	1	REMOVED	▲80	004174	2	S. H. C. S. 10-24 x 7/8
24	404433	1	Pin, Actuator	81	900534	2	S. H. C. S. 10-32 x 5/8
25	900415	1	Actuator Assembly	82	092037	1	Locknut, 10-32
27	900179	1	Handle Right Side	83	402736	1	Washer, Flat #10 Black
28	403156	1	Lanyard	84	404319	1	Lower Work Contacting Element
29	403155	1	Battery Cap	85	900056	1	No-Mar Tip (Optional)
30	900138	1	Handle, Left Side	86	004238	1	Lockwasher #10
32	900453	3	Thrd. Frm.Screw, 8-16 x 7/8	87	402629	1	Washer, Hardened #10
33	900289	1	Belt Hook	88	900535	1	Upper Work Contacting Element
34	901221	1	Screw, 8-32 x 9/16	89	404365	1	Front Guide
35	403082	1	REMOVED	▲90	900537	2	S. H. C. S. 10-24 x .813
36	403166	1	Bushing	91	900550	1	Back Plate
37	401450	2	Pad, Fuel Cell	92	403822	1	Pivot Pin
38	402201	2	Screw, Phillips Head, 2-56 x 5/8	93	900001	1	Spring, Latch
39	404490	1	Trigger Switch Assembly	94	404317	1	Latch, Front Guide
40	401395	1	Spring	95	092176	1	Roll Pin, 5/32 Dia. x 1-3/8
41	900358	1	Trigger	96	404315	1	Flange, Nose
42	403127	1	Retention Cap	97	900479	1	Removable Spark Plug Wire
43	900941	1	Nut, 8-32	98	900280	1	Spark Assembly
44	900562	1	S. H. C. S. 10-24 x 1-1/8"	100	404385	1	Light Pipe
45	900552	2	Cover Plate	**101	900496	1	Warning Label
▲46	004224	5	Screw	103	900651	2	Label, Logo
47	900549	1	Rail Bracket	**104	900508	1	International Label
48	404698	2	Roll Pin Assembly	106	900232	1	Cable Clamp
49	900551	1	Pivoting Rail Cover Assembly	107	404601	1	Head Switch Assembly
50	900548	1	Rail & Cover Assembly	108	900166	1	Spring, Combustion Chamber
51	900532	1	Lower Siding W. C.E.	109	900164	1	Ring, Head Switch Activating
▲52	402797	1	Retaining Bushing	110	900182	2	Washer, Trigger
53	402798	1	Latch, Follower Button	115	900468	1	Washer
54	402799	1	Spring, Follower Latch	.			
55	402740	1	Roll Pin, 3/32 x 7/16	.			
56	091568	1	Screw, Pan Head, 6-32 x 1/4	.			
57	070545-IM200S16	1	Lockwasher #6	.			

* Denotes normal wear items.

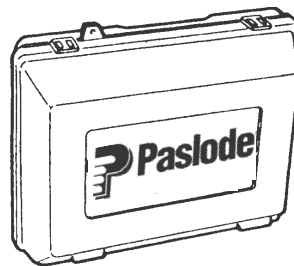
** Make sure warning labels are properly affixed, replace if necessary. Labels available at no charge through the Service Department.

▲ Apply Loctite 242 (Blue).

→ Denotes new change.

MACHINE CODE : A16520

IM200/50 S16



ACCESSORIES

Impulse Stapler Case

Part No. 403164

Battery Cell



Part No. B20542

Impulse Oil



Part No. B20544F

Torx Key

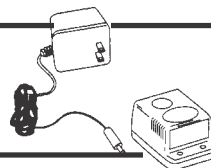
For tightening fan blade to motor



Part No. 900183

Battery Charger Kit

(Replacement Transformer Only Part No. B20544C)



Part No. B20544B

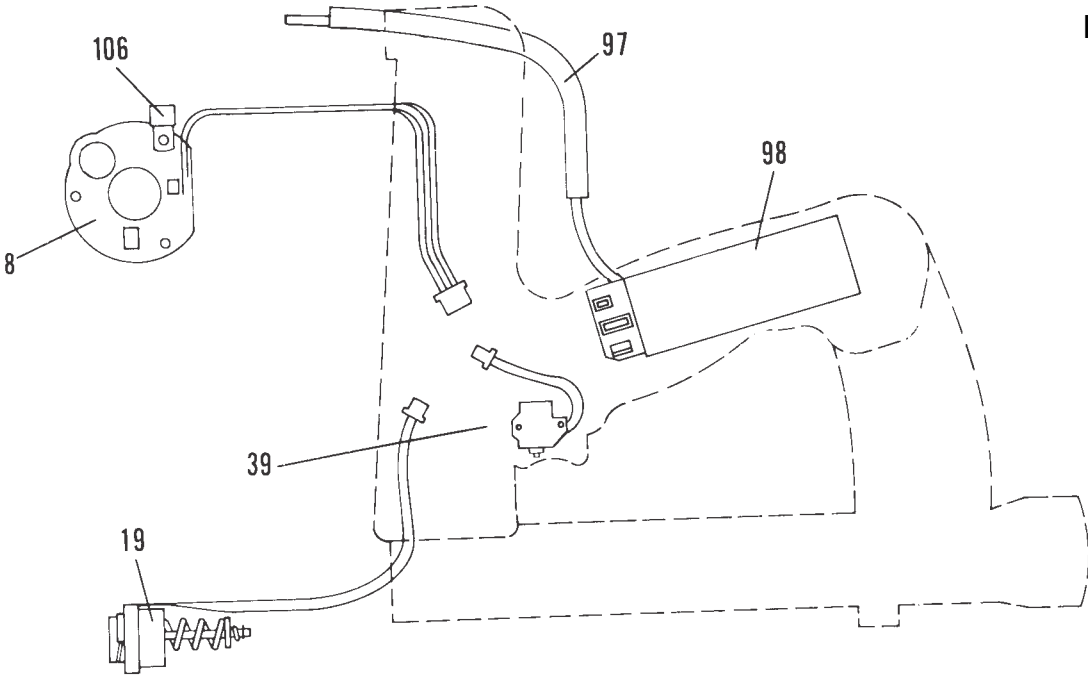
Degreaser Cleaner

Ideal cleaner for all Paslode tools

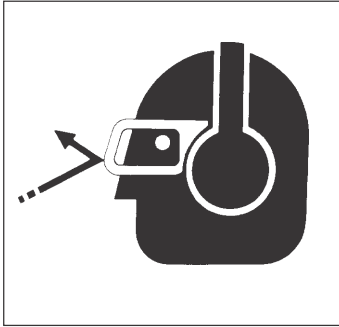
Part No. B20544L



An Illinois Tool Works Company
888 Forest Edge Drive
Vernon Hills, Illinois 60061



SAFETY INSTRUCTIONS



WARNING

Always wear EYE and EAR safety gear when working with or in the vicinity of the Paslode Impulse Stapler.

1. WEAR EYE AND EAR PROTECTION.
2. ALWAYS ASSUME THE TOOL IS "LOADED".
3. OPERATE THE TOOL ONLY ON THE WORK SURFACE.



WARNING

The Paslode Impulse Stapler should be operated only when it is in contact with the work surface. When fastening thin materials such as plywood, be sure to position the tool so that the fastener is driven into the underlying piece.

4. NEVER REMOVE OR DISABLE THE WORK CONTACTING ELEMENT.

This device helps reduce the possibility of accidental fastener discharge by preventing the tool from operating until it is completely against the work surface.

NEVER operate the tool if the work contacting element is not working properly.
5. ALWAYS POINT THE TOOL AWAY FROM YOURSELF AND OTHERS WHEN CLEARING JAMS OR REMOVING FASTENERS.

Pull the follower slightly back and push the release lever. Tip the tool nose up slightly and fasteners should slide out of the rear of the magazine. If fasteners are jammed, refered to the appropriate service section of the operating manual.
6. NEVER ATTEMPT TO OPERATE THE PASLODE IMPULSE STAPLER IF PARTS ARE LOOSE, DAMAGED OR MISSING.