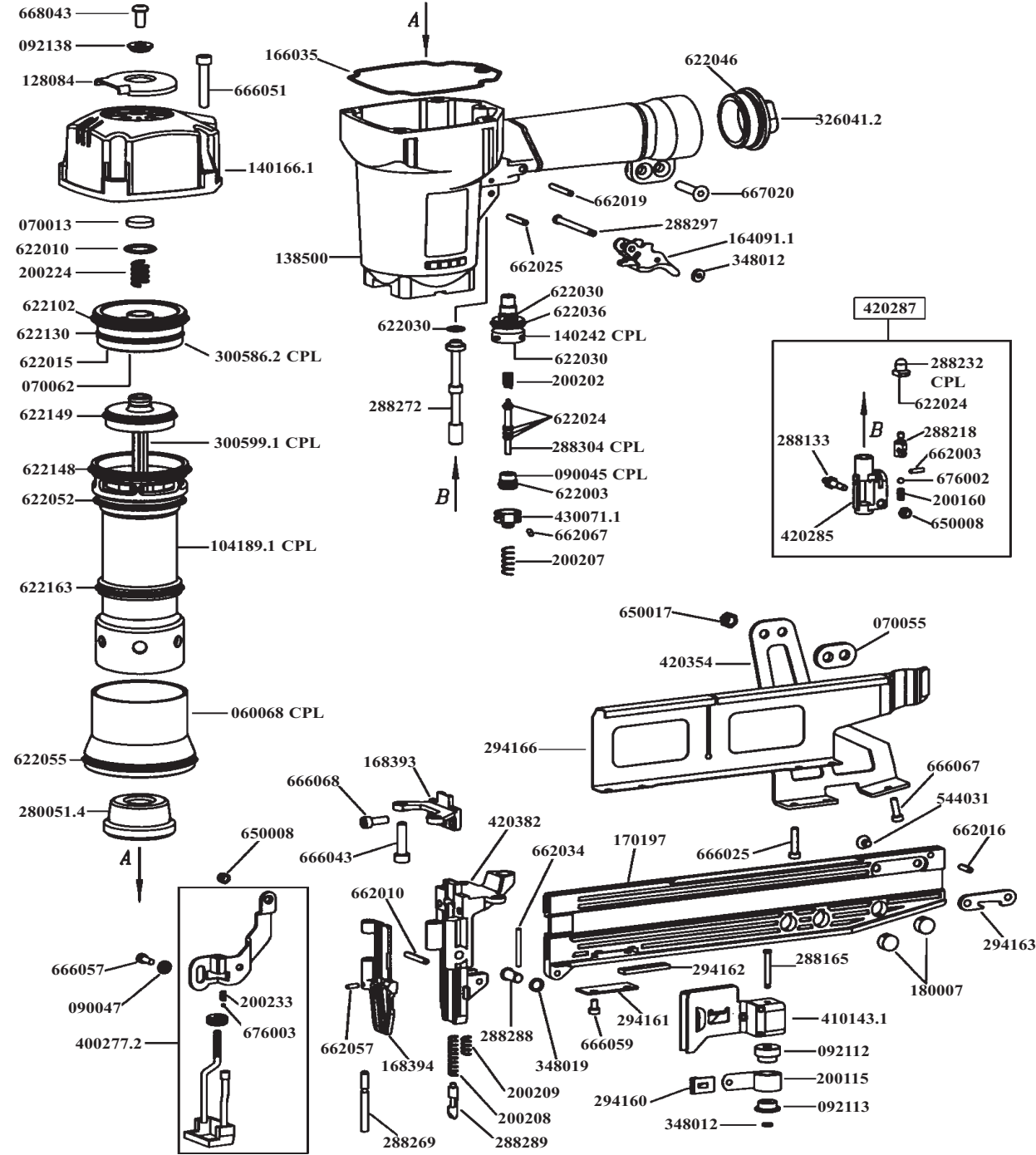


ESP	MACHINE CODE	DESC.
0	P31153	P45C - G55B



CODE	QTY	DESCRIPTION	CODE	QTY	DESCRIPTION
060068	R 1	CYLINDER RING	> 400277.2	1	SAFETY YOKE
070013	R 1	BUFFER	410143.1	R 1	PUSHER G
070055	R 1	BUFFER	420285	1	TRIGGER ACTUATOR
070062	R 1	BUFFER	420287	1	CPL ACTUATOR SUPPORT
090045	1	CPL BUSH	420354	1	HOLDER
090047	1	BUSH	420382	1	NOSEPIECE G-55B
092112	1	UPPER BUSH	430071.1	1	TRIGGER VALVE CAP
092113	1	LOWER BUSH	544031	R 2	SCREW M5X7MM
092138	1	BUSH	622003	R 1	O-RING
104189.1	1	CPL CYLINDER G55-B	622010	R 1	O-RING
128084	1	COVER	622015	R 1	O-RING
138500	1	CPL BODY	622024	R 5	O-RING
140166.1	1	CAP	622030	R 3	O-RING
140242	1	REMOTE CONTROL	622036	R 1	O-RING
164091.1	1	CPL TRIGGER	622046	R 1	O-RING
166035	R 1	GASKET	622052	R 1	O-RING
168393	1	UPPER DRIVER PLATE	622055	R 1	O-RING
168394	1	DRIVER PLATE	622102	R 1	O-RING
170197	1	RAIL CPL G 55 B	622130	R 1	O-RING
180007	3	INSERT	622148	R 1	O-RING
200115	R 1	SPRING	622149	R 1	O-RING
200160	R 1	SPRING	622163	R 1	O-RING
200202	R 1	SPRING	650008	R 2	LOW SELF LOCK NUT M4
200207	R 1	SPRING	650017	R 2	LOW SELF LOCK NUT M6
200208	R 1	SPRING	662003	R 1	PIN
200209	R 1	SPRING	662010	R 1	PIN
200224	R 1	SPRING	662016	R 1	PIN
200233	R 1	SPRING	662019	R 1	ELAST SPIR HEAVY PIN 4X26
280051.4	R 1	BUMPER	662025	R 1	ELAST SPIR HEAVY PIN 4X22
288133	1	PIN	662034	R 1	PIN 3X30
288165	1	PIN	662057	R 1	PIN 3X8
288218	1	PIN CT/SS	662067	R 2	PIN 3X10
288232	1	CPL PIN	666025	R 2	SCREW M4X20
288269	1	PIN	666043	R 4	SCREW
288272	1	PIN	666051	R 4	SCREW
288288	1	PIN	666057	R 1	SCREW M4 X14
288289	1	PIN	666059	R 2	SCREW
288297	1	PIN	666067	R 1	SCREW
288304	1	CPL STUD	666068	R 2	SCREW M5X 14
294160	1	PLATE	667020	R 2	SCREW M6X22
294161	1	PLATE	668043	R 1	SCREW
294162	1	PLATE	676002	1	BALL 5/32
294163	1	PLATE	676003	1	BALL
294166	1	HOLDER PLATE			
300586.2	1	CPL VALVE PISTON			
300599.1	R 1	CPL DRIVER PISTON			
326041.2	1	CPL ADAPTER 3/8 19 THREAD			
348012	2	STOP RING			
348019	1	STOP RING			



R = RECOMMENDED SPARE PARTS  
 > = DENOTES NEW CHANGE