

MACHINE CODE **PARTS LIST** MODEL

A10568 **MAC-20**

When ordering parts, please show tool model, part number and name.
Standard hardware items listed are available at any local hardware supply.

*Optional parts.

Recommended spare parts are in bold face type

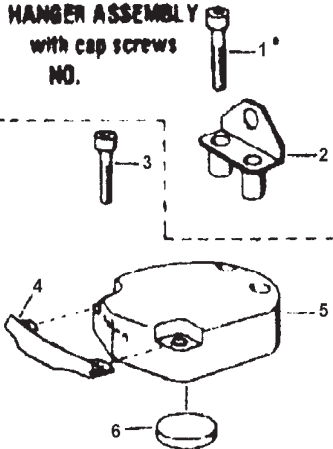
Normal wearing parts are underlined

KEY NO.	PART NAME	QTY.	PART NO.
1	SOC HD CAP SCREW 1/4-20 X 1 1/2	2	091362
2	HANGER ASSEMBLY	1	091566
3	SOC HD CAP SCREW 1/4-20 X 1"	6	091592
4	DEFLECTOR	1	091912
5	CAP	1	091502
6	BUMPER CAP	1	091503
7	O-RING	1	091540
8	PISTON CAP	1	091504
9	O-RING	1	091542
10	O-RING	1	092709
11	SEAL CAP	1	091505
12	SPRING DIAPHRAM	1	090495
13	PLATE DIAPHRAM	1	091506
14	O-RING	1	091623
15	DIAPHRAM	1	094736
16	WASHER DIAPHRAM	1	091508
17	FLEXLOC THIN NUT 3/8-24	1	091544
18	O-RING (CODED YELLOW)	1	091538
19	PISTON	1	094822
20	O-RING	1	091986
21	INSERT PISTON	1	094823
22	GROOVED PIN	1	092778
23	INSERT	1	094824
24	BUMPER	2	091779

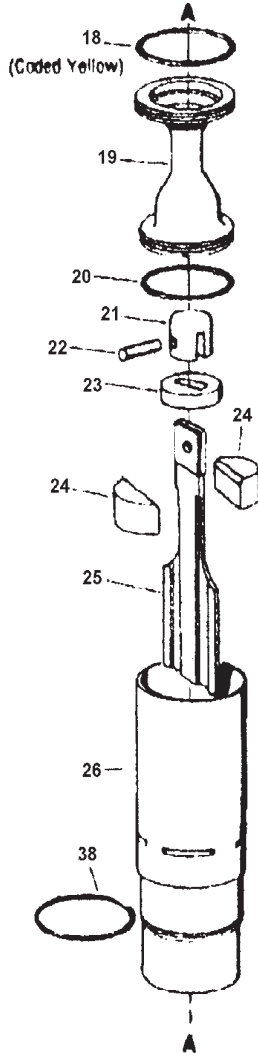
KEY NO.	PART NAME	QTY.	PART NO.
25	DRIVER BLADE	1	094802
26	SLEEVE	1	091509
27	O-RING	1	091624
28	INSERT VALVE	1	091519
29	O-RING	1	095419
30	PIN VALVE	1	091518
30A	SPRING SEAT RETAINER	1	096110
31	SEAT VALVE	1	091520
32	ROLL PIN 1/16 X 5/8	1	095420
33	O-RING	2	091541
34	BODY VALVE	1	091517
35	SPRING VALVE BUTTON	1	091523
36	BUTTON VALVE	1	091816
37	SPIROLOX RETAINING RING	1	091555
38	O-RING	1	091208
39	CYLINDER	1	094801
40	PIN SAFETY	1	091573
41	ROLL PIN 3/32 X 1/2	1	091551
42	SPRING	1	091574
44	GUIDE	1	094803
45	WASHER	1	091572
46	WORK CONTACT ELEMENT	1	094804
47	FRONT GUIDE	1	094805
48	BACK PLATE	1	094806

KEY NO.	PART NAME	QTY.	PART NO.
49	PIN TRIGGER	1	091821
50	ROLL PIN 5/32 X 1-1/8	1	091550
51	LEVER TRIGGER	1	091817
52	TRIGGER	1	091818
53	ROLL PIN 3/32 X 5/8	1	091880
54	FLEXLOC THIN NUT 8-32	1	091363
55	REDUCING PIPE BUSHING	1	091622
56	ROLL PIN 3/16 X 5/8	1	008919
57	DRUM	1	091534
58	NEGATOR ASSEMBLY	1	094807
59	SOC HD CAP SCREW 1/4-20 X 1/2	4	090908
60	SOC HD CAP SCREW 8-32 X 1/4	8	014546
60A	INTERNAL TOOTH LOCKWASHER	8	006562
61	MAGAZINE ASSEMBLY	1	094810
62	HEIGHT ADJUSTMENT RAIL	2	094819
63	LATCH	1	094820
64	ROLL PIN 3/32 X 3/8	1	004998
65	SPRING	1	007741
66	FLEXLOC THIN NUT 10-32	1	091732
67	FOLLOWER ASSEMBLY	1	094813
68	SPACER ASSEMBLY	1	094821
69	SOC HD CAP SCREW 10-32 X 1 1/2	1	013566
70	WASHER 3/16 X 7/16 X3/64	1	023089
41	WARNING LABEL	1	096120

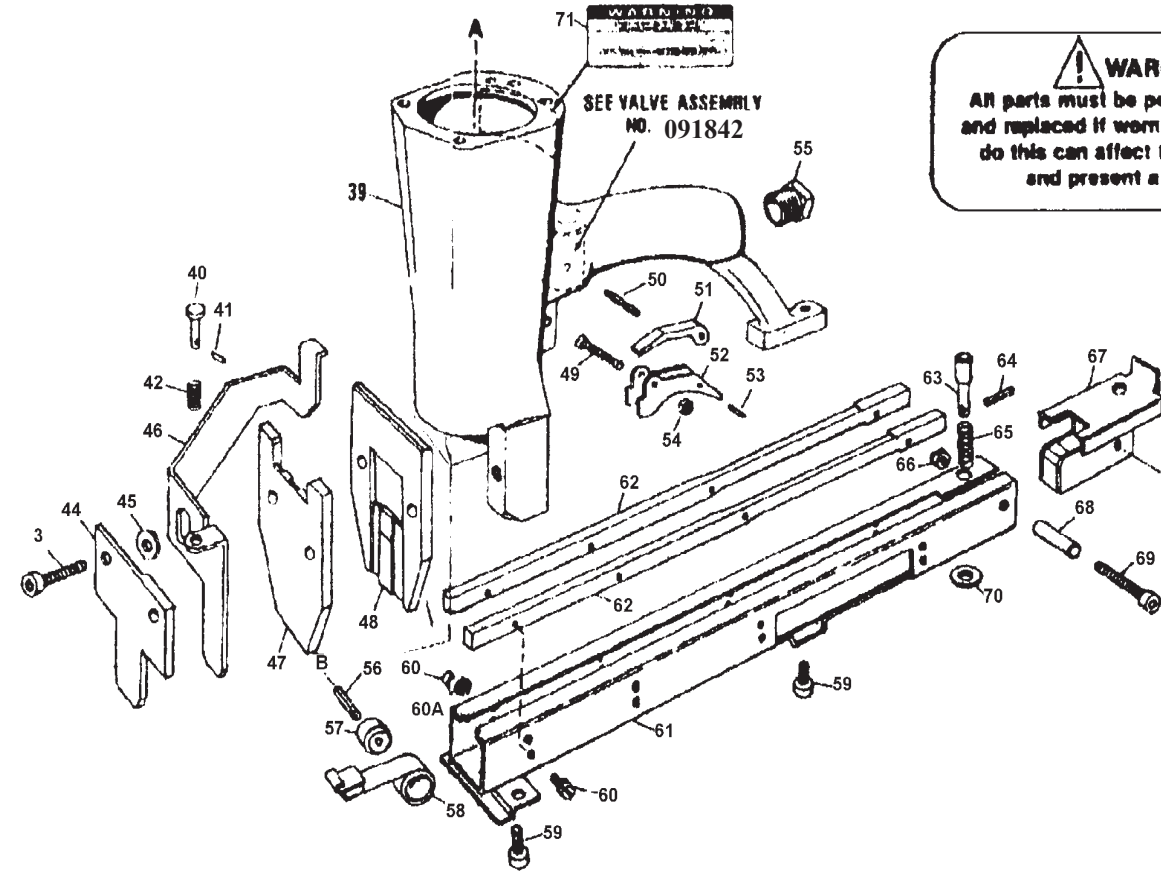
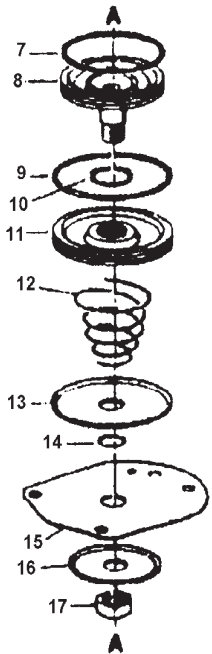
HANGER ASSEMBLY
with cap screws
NO.



PISTON ASSEMBLY
NO.



DIAPHRAM ASSEMBLY
NO. 091977



WARNING
All parts must be periodically inspected and replaced if worn or broken. Failure to do this can affect the tool's operation and present a safety hazard.

VALVE ASSEMBLY
091842

