

MACHINE CODE
A10560

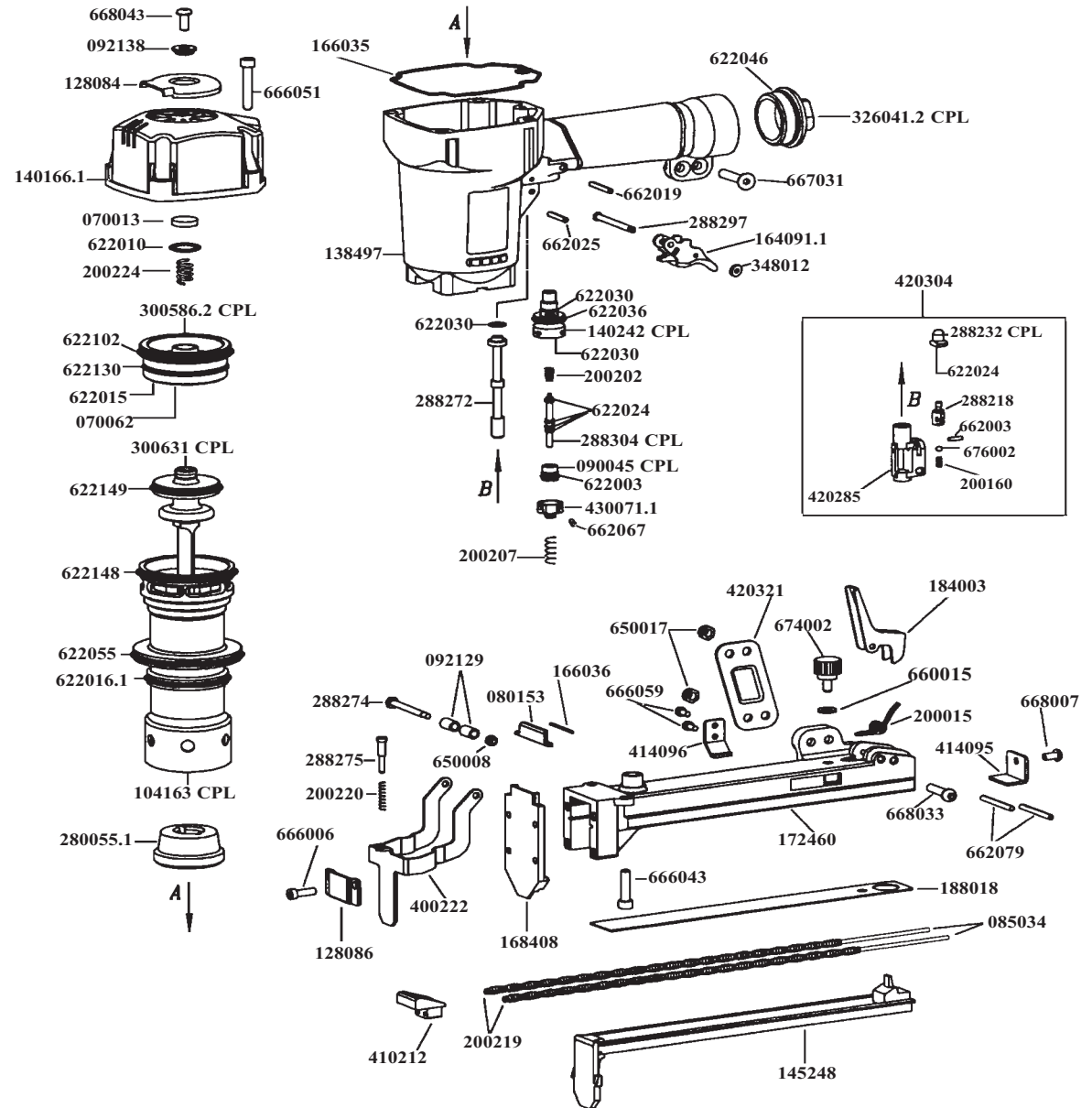
MODEL
P45C CF 9 - 15

PARTS LIST



CODE	QTY	DESCRIPTION	CODE	QTY	DESCRIPTION
070013	R 1	BUFFER	414095	1	SQUARE
070062	R 1	BUFFER	414096	1	SQUARE
080153	1	REST	420285	1	TRIGGER ACTUATOR
085034	2	BAR	420304	1	ACTUATOR
090045	1	CPL BUSH	420321	1	HOLDER
092129	2	BUSH	> 430071.1	1	TRIGGER VALVE CAP
092138	1	BUSH	622003	R 1	O-RING
104163	1	CPL CYLINDER	622010	R 1	O-RING
128084	1	COVER	622015	R 1	O-RING
128086	1	COVER	622016.1	R 1	O-RING
138497	1	CPL BODY	622024	R 5	O-RING
140166.1	1	CAP	> 622030	R 3	O-RING
140242	1	CPL TRIGGER VALVE	622036	R 1	O-RING
145248	1	SLIDER	622046	R 1	O-RING
> 164091.1	1	CPL TRIGGER	622055	R 1	O-RING
166035	R 1	GASKET	622102	R 1	O-RING
166036	R 1	GASKET	622130	R 1	O-RING
168408	1	DRIVER PLATE	622148	R 1	O-RING
172460	1	LOADER	622149	R 1	O-RING
184003	1	CATCH	650008	R 1	LOW SELF LOCK NUT M4
188018	1	INSERT	650017	R 4	LOW SELF LOCK NUT M6
200015	R 1	SPRING	660015	R 1	FLAT BRUN STEEL WASHER
200160	R 1	SPRING	662003	R 1	PIN 3X10
200202	R 1	SPRING	662019	R 1	PIN
200207	R 1	SPRING	662025	R 1	ELAST SPIR HEAVY PIN 4X22
200219.1	R 2	SPRING	662067	R 2	PIN
200220	R 1	SPRING	662079	R 2	PIN
200224	R 1	SPRING	666006	R 4	SCREW
280055.1	R 1	BUMPER	666043	R 2	SCREW
288218	1	PIN	666051	R 4	SCREW
288232	1	CPL PIN	666059	R 2	SCREW
288272	1	PIN	667031	R 2	SCREW
288274	1	PIN	668007	R 1	SCREW
288275	1	PIN	668033	R 2	SCREW
288297	1	PIN	668043	R 1	SCREW
288304	1	CPL STUD	674002	1	ATTACHMENT
300586.2	1	CPL VALVE PISTON	676002	1	BALL
300631	R 1	CPL DRIVER PISTON			
> 326041.2	1	CPL ADAPTER 3/8 19 THREAD			
348012	2	STOP RING			
400222	R 1	SAFETY			
410212	R 1	PUSHER			

ESP	MACHINE CODE	DESC.
7	A10560	P45C CF 9-15



R = RECOMMENDED SPARE PARTS
> = DENOTES NEW CHANGE