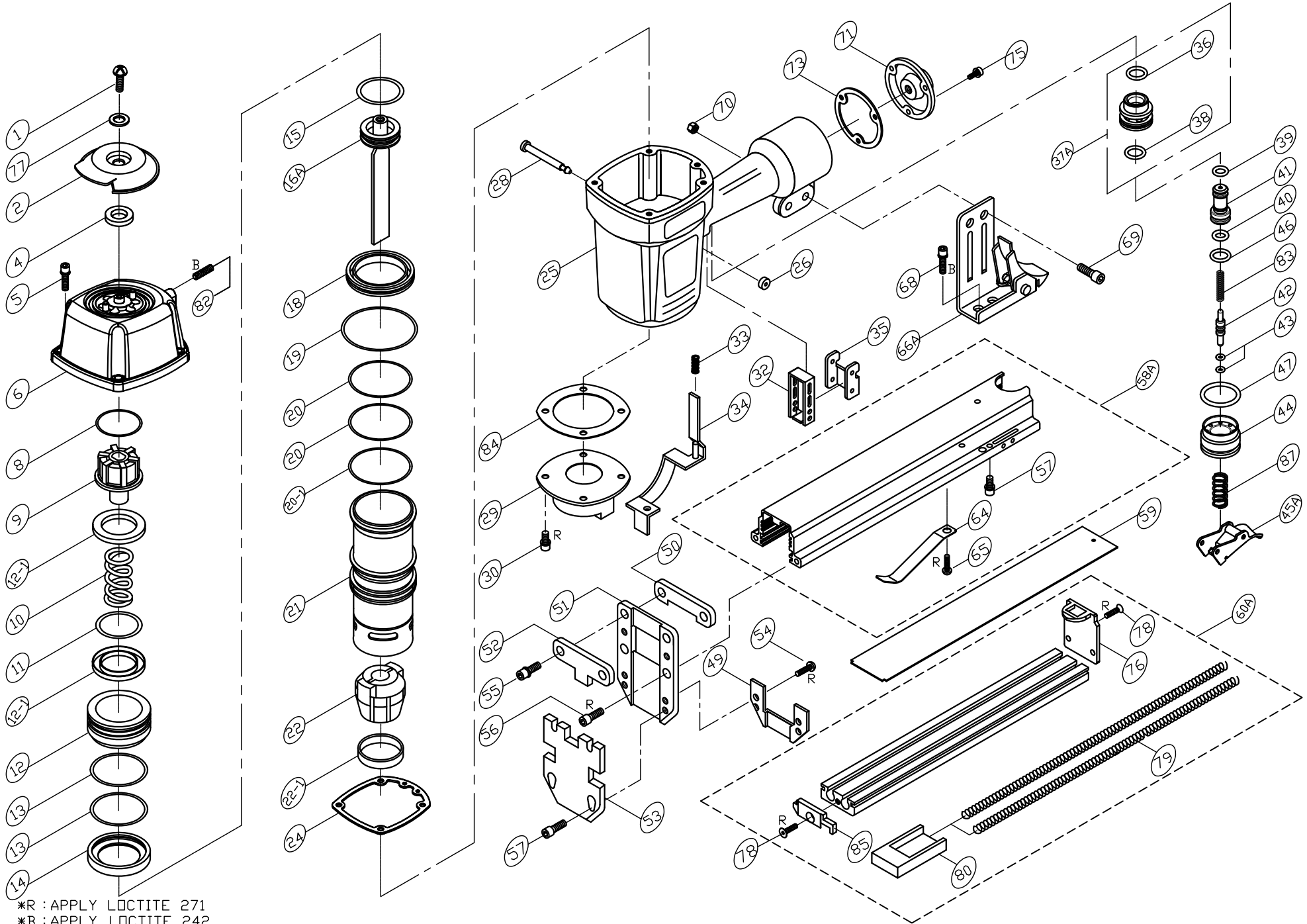


**Paslode CF 15 Corrugated**  
**Product Code: A10555**



\*R : APPLY LOCTITE 271  
 \*B : APPLY LOCTITE 242

**Product Code: A10555**

**PARTS LIST**

ITEM	Part No.	DESCRIPTION	QTY
01	720200	UM.HD.BOLT	1
02	720201	EXHAUST COVER	1
04	720202	PU RING	1
05	720203	HEX.SOC.HD.BOLT+SW	4
06	720204	CAP	1
08	720205	SPACER	1
09	720206	PISTON STOPPER**	1
10	720207	SPRING**	1
11	720208	O RING**	1
12	720209	PISTON HEAD VALVE	1
12-1	720210	SPACER	2
13	720211	O RING	2
14	720212	SEAL	1
15	720213	O RING**	1
16A	720214	PISTON ASSEMBLY	1
18	720215	CYLINDER SPACER	1
19	720216	O RING**	1
20	720217	O RING**	2
20-1	720218	O RING**	1
21	720219	CYLINDER	1
22	720220	BUMPER**	1
22-1	720221	COLLAR	1
24	720222	GASKET**	1
25	720223	BODY	1
26	720224	PU RING	3

**Paslode CF-15 Corrugated  
May 2011**

ITEM	Part No.	DESCRIPTION	QTY
28	720225	STEPPED PIN	3
29	720226	BOTTOM	1
30	720227	HEX.SOC.HD.BOLT+SW	4
32	720228	GUIDE SAFETY LEVER	1
33	720229	SPRING	1
34	720233	SAFETY LEVER	1
35	720250	SAFETY GUIDE LEVER	1
36	720232	O-RING	1
37A	720233	VALVE ASM.	1
38	720234	O RING**	1
39	720235	O RING**	1
40	720236	O RING**	1
41	720237	VALVE PLUNGER	1
42	720238	PLUNGER	1
43	720149	O RING**	2
44	720240	PLUNGER CAP	1
45A	720122	TRIGGER ASSEMBLY	1
46	720242	O RING**	1
47	720243	O RING**	1
49	720244	SAFETY COVER	1
50	720245	SET PLATE	1
51	720246	NOSE	1
52	720247	SET PLATE	1
53	720248	NOSE COVER	1
54	720249	CAP.HD.SCREW	2

ITEM	Part No.	DESCRIPTION	QTY
55	720146	HEX.SOC.HD.BOLT+SW	2
56	720143	HEX. SOC. HD. BOLT	2
57	720252	HEX.SOC.HD.BOLT	5
58A	720254	MAGAZINE ASSEMBLY	1
59	720255	NAIL ADJUST PLATE	1
60A	720257	NAIL GUIDE ASSEMBLY	1
64	720261	PISTONING PLATE	1
65	720262	UM.HD.BOLT	1
66A	720263	BRACKET ASSEMBLY	1
68	720264	HEX.SOC.HD.BOLT+SW	2
69	720265	HEX.SOC.HD.BOLT	2
70	720266	LOCK NUT	2
71	720267	END CAP	1
73	720269	GASKET	1
75	720145	HEX.SOC.HD.BOLT+SW	3
76	720271	END COVER	1
77	720272	FLAT WASHER	1
78	720273	FLAT. HD.BOLT	3
79	720274	SPRING	2
80	720275	PUSHER	1
82	720276	SET SCREW	1
83	720277	SPRING	1
84	720278	GASKET**	1
85	720279	SET PLATE	1
87	720165	SPRING	1

\*\* Denotes Wear Items