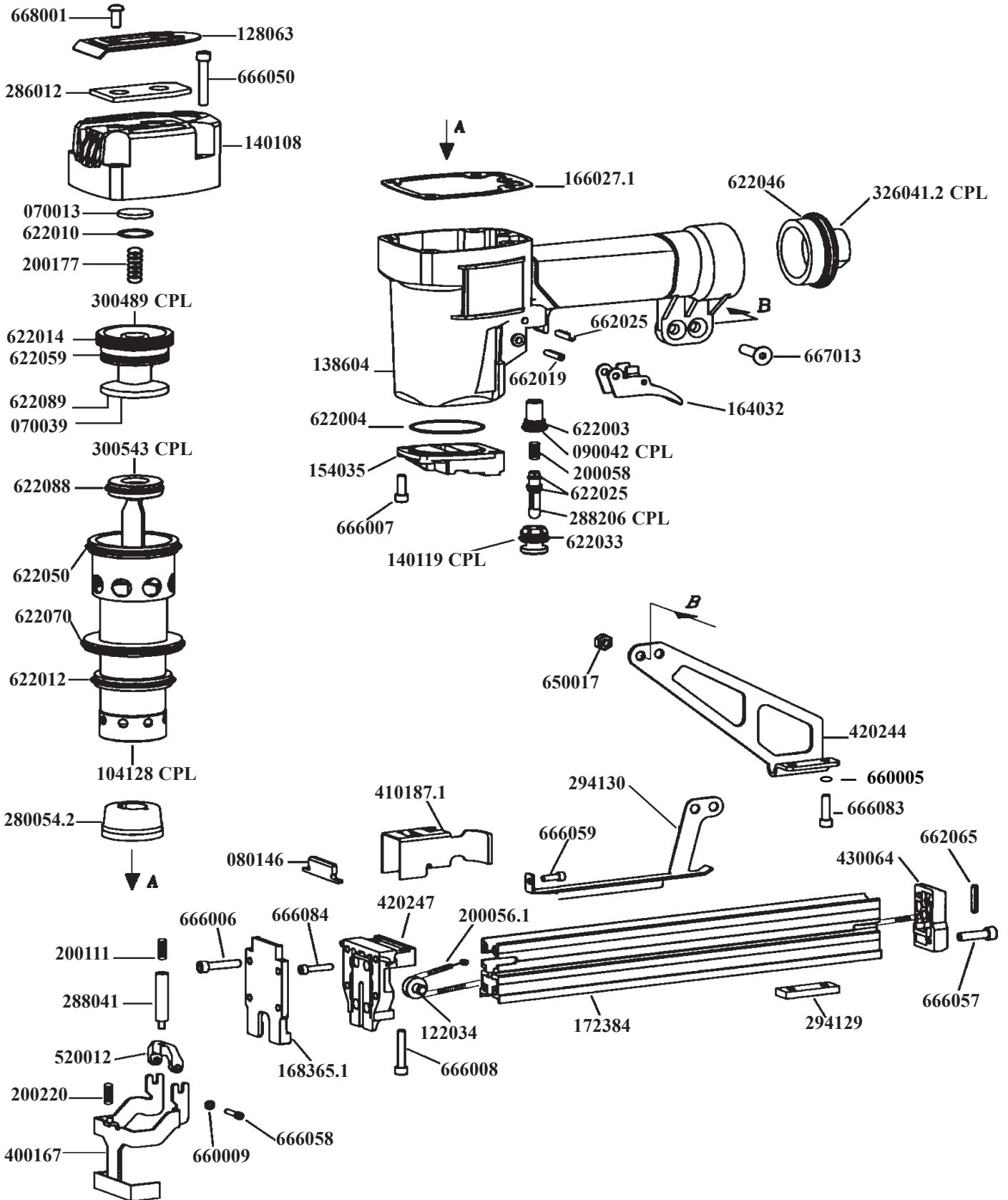


ESP	MACHINE CODE	DESC.
1	A10501	P3C SNW-38



**MACHINE CODE**  
**A10501**

**MODEL**  
**P3C SNW - 38**

**PARTS LIST**

<b>CODE</b>	<b>QTY</b>	<b>DESCRIPTION</b>	<b>CODE</b>	<b>QTY</b>	<b>DESCRIPTION</b>
070013	R 1	BUFFER	650017	R 2	LOW SELF LOCK NUT M6
070039	R 1	BUFFER	660005	R 2	WASHER
080146	1	DRIVER REST	660009	R 2	WASHER
090042	1	CPL VALVE BUSH	662019	R 1	ELAST SPIR HEAVY PIN 4X26
104128	1	CPL CYLINDER	662025	R 1	ELAST SPIR HEAVY PIN 4X22
122034	1	PULLEY	662065	R 1	PIN 3, 5X14
128063	1	COVER	666006	R 4	SCREW
138604	1	BODY W/BUSH	> 666007	R 2	SCREW
140108	1	CPL CAP	666008	R 2	SCREW TCEI UNC 10-24X1-1/2
140119	1	CPL TRIGGER VALVE	666050	R 4	SCREW TCEI UNC 10-24X1-3/4
154035	1	MODULAR ADAPTER	666057	R 2	SCREW M4X14 SELF LOCKING
164032	1	CPL TRIGGER C/T	666058	R 2	SCREW TCEI M4X6 AUT
166027.1	R 1	GASKET	666059	R 1	SCREW TCEI M4X8 AUT
168365.1	1	DRIVER PLATE	666083	R 2	SCREW M5X16 AUT
172384	1	LOADER	666084	R 4	SCREW M4X16 AUT
200056.1	R 1	SPRING	667013	R 2	SCREW M6X20
200058	R 1	SPRING	668001	R 2	SCREW TBEI M5X10 C10.9
200111	R 1	SPRING			
200177	R 1	SPRING			
200220	R 1	SPRING			
280054.2	R 1	BUMPER			
286012	1	SILENCER			
288041	1	PIN			
288206	1	CPL STUD			
294129	1	SPACER			
294130	1	HOLDER PLATE			
300489	1	CPL VALVE PISTON			
300543	R 1	CPL DRIVER PISTON			
> 326041.2	1	CPL ADAPTER 3/8 19 THREAD			
400167	R 1	CPL SAFETY			
410187.1	R 1	PUSHER			
420244	1	HOLDER			
420247	1	HOLDER SNW 38 NEW			
430064	1	LOADER COVER			
520012	1	SAFETY LINK			
622003	R 1	O-RING			
622004	R 1	O-RING			
622010	R 1	O-RING			
622012	R 1	O-RING			
622014	R 1	O-RING			
622025	R 2	O-RING			
622033	R 1	O-RING			
622046	R 1	O-RING			
622050	R 1	O-RING			
622059	R 1	O-RING			
622070	R 1	O-RING			
622088	R 1	O-RING			
622089	R 1	O-RING			

R = RECOMMENDED SPARE PARTS  
> = DENOTES NEW CHANGE