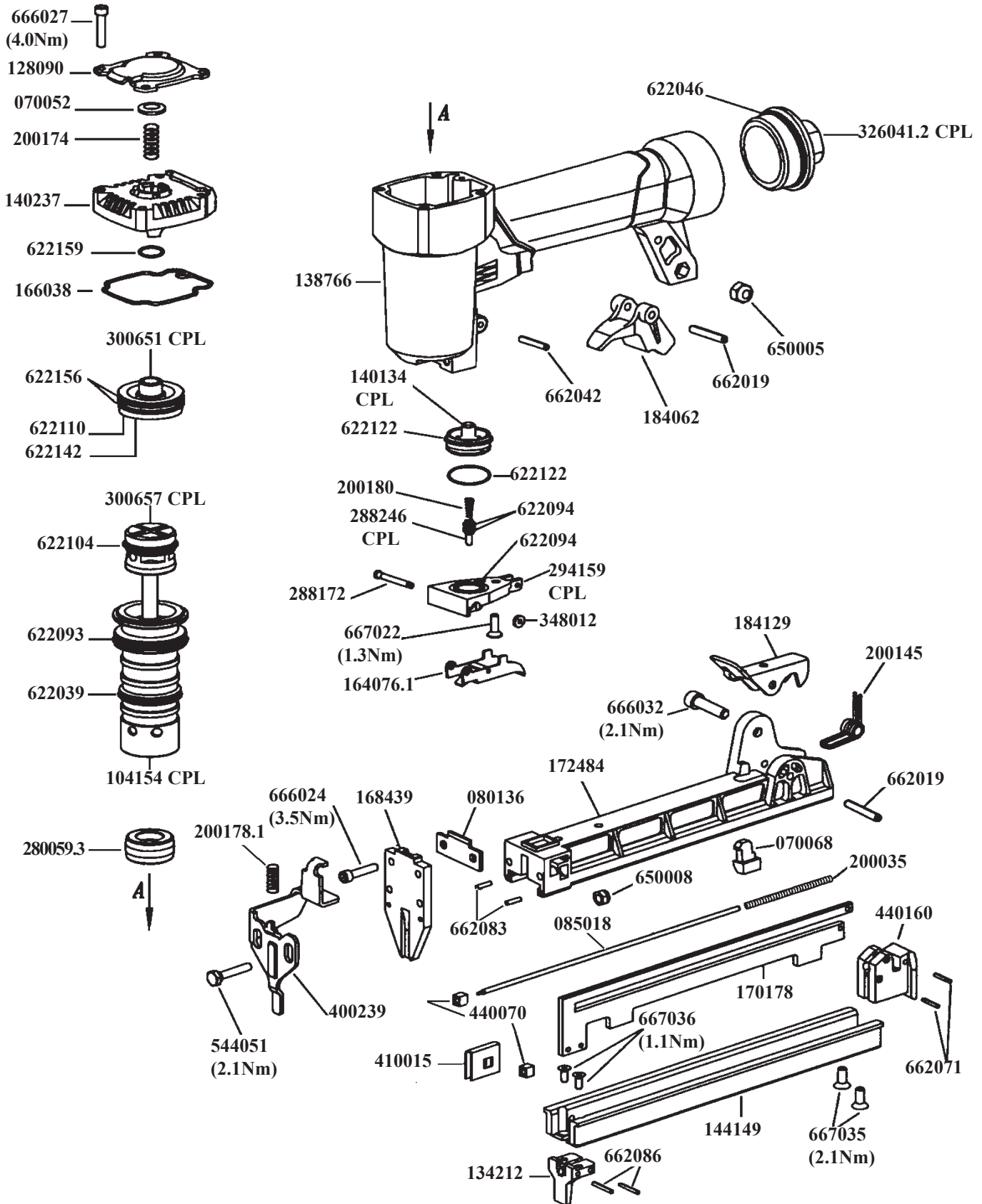


ESP	MACHINE CODE	DESC.
9	A10238	P21P 97B-25A



MACHINE CODE
A10238

MODEL
P21P 97B - 25A

PARTS LIST

CODE	QTY	DESCRIPTION	CODE	QTY	DESCRIPTION
070052	R 1	BUFFER	622156	R 2	O-RING
070068	R 1	BUFFER	622159	R 1	O-RING
080136	1	DRIVER REST	650005	R 1	SELF LOCK NUT M5
085018	1	GUIDE BAR	650008	R 2	NUT
104154	1	CPL CYLINDER P21P	662019	R 2	PIN 4X26
128090	1	COVER	662042	R 1	PIN 2X10
134212	1	NOSE RAIL	662071	R 3	PIN
138766	1	BODY P21P	662083	R 2	PIN
140134	1	CPL TRIGGER VALVE	662086	R 2	PIN
140237	1	CPL CAP	666024	R 2	SCREW M4X14
> 144149	1	BASIC SLIDER	666027	R 4	SCREW M4X25
164076.1	1	CPL TRIGGER	666032	R 1	SCREW M5X14
166038	R 1	GASKET	667022	R 1	SCREW M4X12
168439	1	DRIVER PLATE 97/B 25	667035	R 2	SCREW
170178	1	RAIL	667036	R 2	SCREW
172484	1	LOADER 97B			
184062	1	QUICK RELEASE CATCH			
> 184129	1	CATCH			
200035	R 1	SPRING			
200145	R 1	SPRING			
200174	R 1	SPRING			
200178.1	R 1	SPRING			
200180	R 1	SPRING			
> 280059.3	R 1	BUMPER			
288172	1	PIN			
288246	1	CPL STUD			
294159	R 1	CPL TRIGGER PLATE			
300651	1	CPL VALVE PISTON			
300657	R 1	CPL DRIVER PISTON			
> 326041.2	1	ADAPTER			
348012	1	STOP RING			
400239	R 1	SAFETY			
410015	R 1	PUSHER			
440070	2	PUSHER BLOCK			
440160	1	SLOT			
544051	R 2	SCREW			
622039	R 1	O-RING			
622046	R 1	O-RING			
622093	R 1	O-RING			
622094	R 3	O-RING			
622104	R 1	O-RING			
622110	R 1	O-RING			
622122	R 2	O-RING			
622142	R 1	O-RING			

R = RECOMMENDED SPARE PARTS
> = DENOTES NEW CHANGE