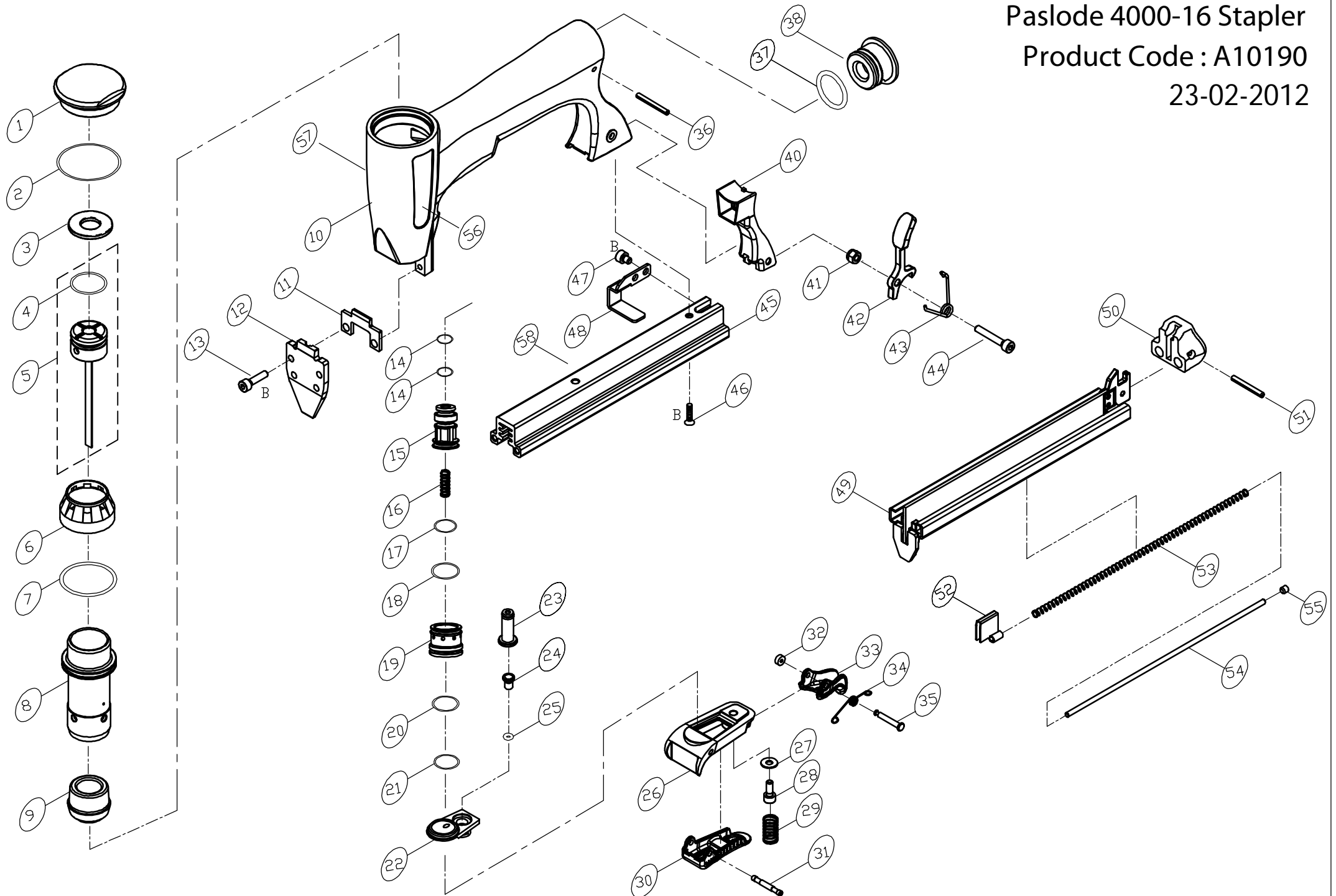


Pasloide 4000-16 Stapler

Product Code : A10190

23-02-2012



*B : APPLY LOCTITE 242

PRODUCT CODE A10190

4000-16 PARTS LIST 23-02-2012

ITEM	PART NUMBER	DESCRIPTION	QTY	ITEM	PART NUMBER	DESCRIPTION	QTY
01	720001	CAP	1	30	720053	TRIGGER	1
02	720002	O RING	1	31	720027	PIN	1
03	720003	PISTON STOPPER**	1	32	720048	PU RING	1
04	720004	O RING**	1	33	720049	TRIGGER CONTROLLER	1
05	720060	DRIVER ASSEMBLY**	1	34	720050	TOR SPRING	1
06	720006	COLLAR	1	35	720051	SHAFT	1
07	720007	O RING	1	36	720029	ROLLED PIN	1
08	720008	CYLINDER	1	37	720030	O RING	1
09	720009	BUMPER**	1	38	720031	END CAP	1
10	720010	BODY	1	40	720032	EXHAUST COVER	1
11	720011	SET PLATE	1	41	720033	LOCK NUT	1
12	720061	NOSE	1	42	720062	LATCH	1
13	720013	HEX. SOC. HD. BOLT	4	43	720034	TOR SPRING	1
14	720014	O RING**	2	44	720036	HEX.SOC.HD.BOLT	1
15	720015	VALVE PLUNGER	1	45	720063	MAGAZINE	1
16	720045	SPRING	1	46	720038	FLAT. HD. BOLT	1
17	720016	O RING**	1	47	721034	HEX.SOC.HD.BOLT	2
18	720017	O RING**	1	48	720064	VALVE PLATE	1
19	720018	VALVE CYLINDER	1	49	720065	STAPLE GUIDE ASSEMBLY	1
20	720019	O RING**	1	50	720041	PU COVER	1
21	720020	O RING**	1	51	720040	ROLLED PIN	1
22	720021	PLUNGER COVER	1	52	720066	PUSHER	1
23	720022	CONNECTING TUBE	1	53	720067	SPRING	2
24	720024	TRIGGER VALVE STEM	1	54	720068	ROD	2
25	720025	O RING**	1	55	720069	SET SCREW	2
26	720052	TRIGGER BASE	1	56	720070	PASLODE L.H. LABEL	1
27	720044	FLAT WASHER	1	57	720071	PASLODE R.H. LABEL	1
28	720028	HEX. SOC. HD. BOLT	1	58	720072	LABEL	1
29	720047	SPRING	1				

** DENOTES WEAR ITEM

> DENOTES PART CHANGE