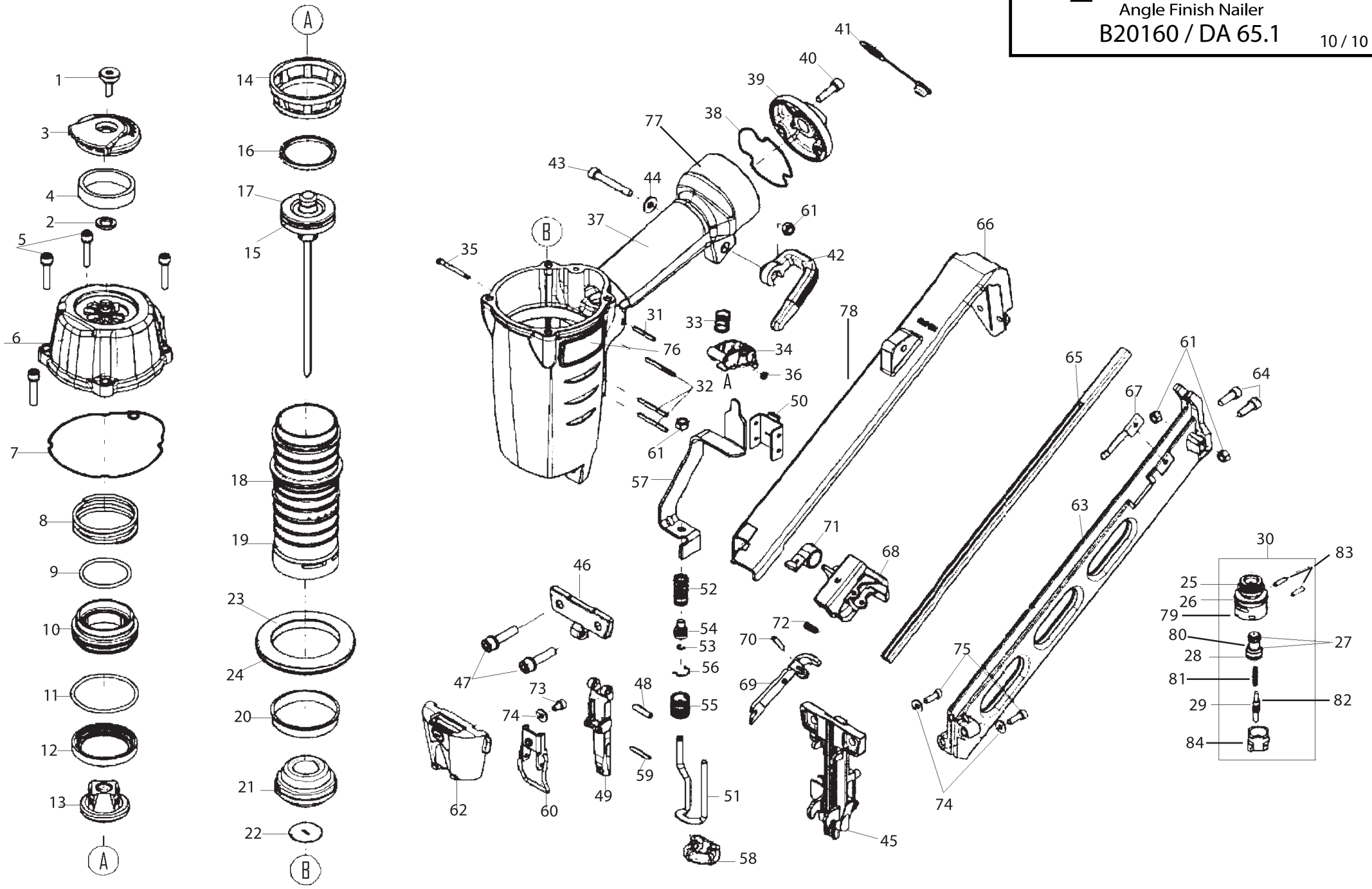




Angle Finish Nailer
B20160 / DA 65.1 10 / 10



Parts Legend B20160 DA-65.1 Finish Nailer

Item	Parts No.	Qty	Description	Item	Parts No.	Qty	Description	Item	Parts No.	Qty	Description
1	700001	1	DEFLECTOR BOLT (3M2353)	* 29	500999	2	O-RING	57	700063	1	SAFETY B
2	700002	1	RUBBER PAD	30	501988	1	TRIGGER VALVE ASSY	58	700064	1	NO MAR TIP
3	700003	1	DEFLECTOR	31	501998	1	SPRING PIN	59	700065	1	SPIRAL PINS
4	700004	1	MUFFLER	32	501931	3	SPRING PIN	60	700066	1	LOCK HANDLE
5	700005	4	BOLT ASSY	33	501932	1	SPRING	61	700067	4	LOCK NUT
6	700006	1	OUTLET CAP	34	700039	1	TRIGGER UNIT	62	700068	1	GUIDE COVER UNIT
7	700007	1	PACKING	35	501934	1	TRIGGER PIVOT PIN	63	700069	1	MAGAZINE A
8	501904	1	COMPRESSION SPRING	36	501089	1	URETHANE RETAINER	64	700070	2	HEX.SOC.HD.BOLT
* 9	501905	1	O-RING	37	700042	1	GUN BODY UNIT	65	700071	1	STEEL CHANNEL
10	700011	1	HD.VALVE PISTON	38	700043	1	GASKET	66	700072	1	MAGAZINE B
* 11	501907	1	O-RING	39	700044	1	INLET CAP	67	700073	1	TOP NAIL PLATE
12	700012	1	COLLAR	40	700045	3	BOLT ASSY	68	700074	1	PROTECTING HOOD COVER
13	700013	1	SEAL	41	700046	1	DUSTY COVER	69	700075	1	PUSHER
14	700014	1	CYLINDER PRESS RING	42	700048	1	BELT HOOK	70	700076	1	SPRING PIN
* 15	700015	1	O-RING	43	700049	1	HEX.SOC.HD.BOLT	71	700077	1	SPRING UNIT
* 16	700016	1	PISTON RING	44	700050	1	FLAT WASHER	72	700078	1	PUSHER SPRING
17	700017	1	DRIVER UNIT	45	700051	1	DRIVER GUIDE	73	700079	1	HEX.SOC.HD.BOLT
18	501913	1	O-RING	46	700052	1	DRIVER GUIDE COVER B	74	700080	3	FLAT WASHER
19	700019	1	CYLINDER	47	700053	2	BOLT ASSY	75	700081	2	HEX.SOC.HD.BOLT
20	700020	1	CYLINDER RING	48	700054	1	FIXED PIN	76	700082	2	LABEL
21	700021	1	BUMPER	49	700055	1	DRIVER GUIDE COVER A	77	700083	1	WARNING LABEL
22	700022	1	DRIVER GUIDE	50	700056	1	SAFETY GUIDE	78	700084	1	MODEL LABEL
23	700023	1	CYLINDER SPACER	51	700057	1	SAFETY	79	501923	1	PLUNGER CAP
24	700024	1	O-RING	52	501967	1	SAFETY SPRING	80	501924	1	VALVE PLUNGER
25	501921	1	O-RING	53	700059	1	RETAINING RING	81	501927	1	SPRING
26	501922	1	O-RING	54	700060	1	LINK ROD	82	501928	1	TRIGGER PIN
* 27	501925	2	O-RING	55	700061	1	ADJUST AXIE	83	501930	2	SPRING PIN
* 28	501926	1	O-RING	56	700062	1	RING	84	501929	1	TRIGGER VALVE HEAD

* Denotes Normal Wear Items
> Denotes new change

09/2010