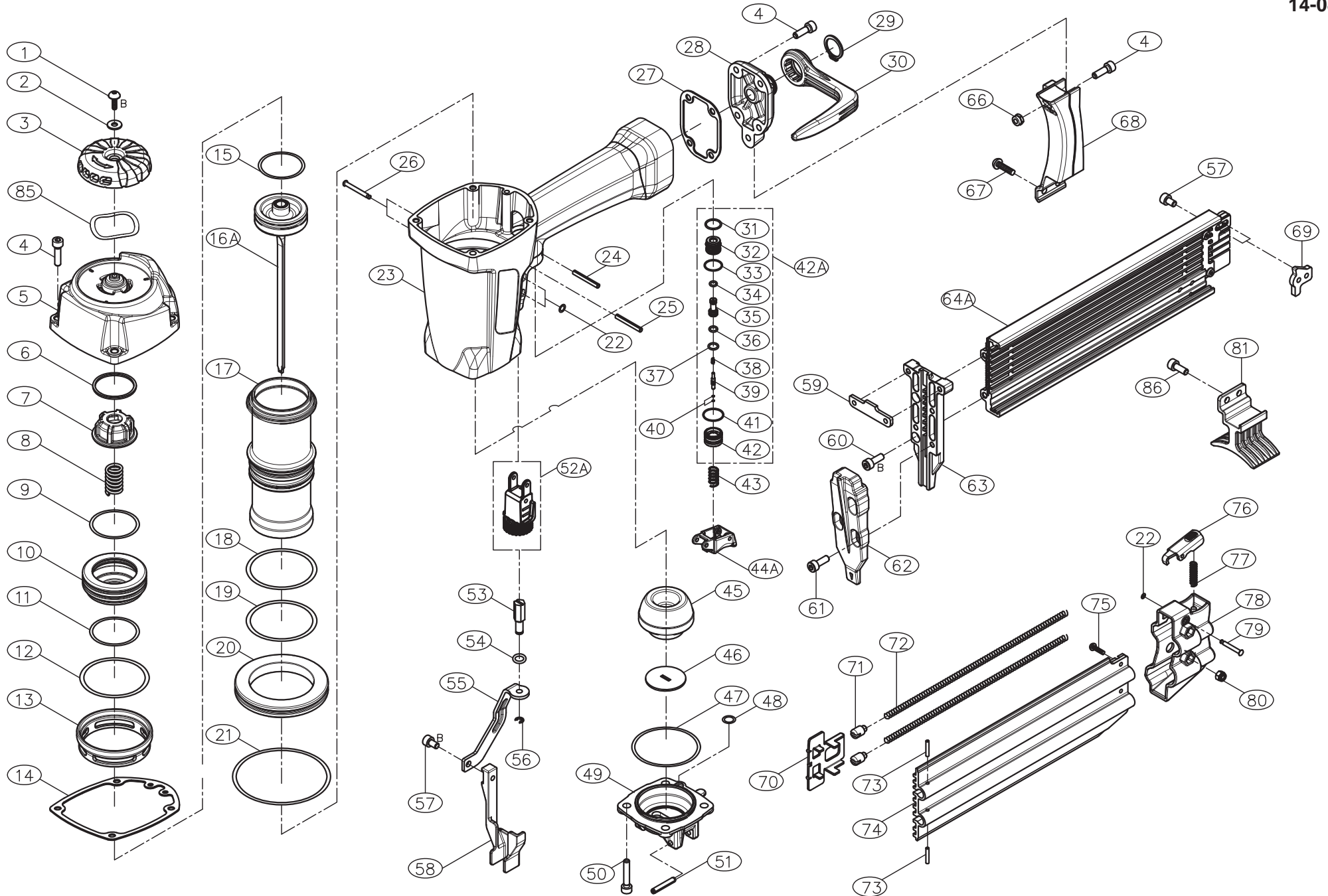


Paslode NT65-1 Nailer
Product Code: B20350

14-08-2011



*R : APPLY LOCTITE 271
 *B : APPLY LOCTITE 242

PRODUCT CODE B20350

NT-65

PARTS LIST

14-08-2011

ITEM	PART NO	DESCRIPTION	QTY	ITEM	PART NO	DESCRIPTION	QTY	ITEM	PART NO	DESCRIPTION	QTY
01	720478	UM.HD.BOLT	1	30	720426	BELT HOOK	1	58	720445	SAFETY LEVER	1
02	721058	FLAT WASHER	1	31	720017	O RING	1	59	720444	SET PLATE	1
03	720408	EXHAUST COVER	1	32	720402	TRIGGER VALVE	1	60	720457	HEX.SOC.HD.BOLT	2
04	720458	HEX.SOC.HD.BOLT	9	33	720234	O RING**	1	61	720455	HEX.SOC.HD.BOLT	3
05	720409	CAP	1	34	720235	O RING**	1	62	720443	DRIVER GUIDE COVER	1
06	720417	SPACER	1	35	720405	VALVE PLUNGER	1	63	720442	NOSE	1
07	720412	PISTON STOP	1	36	720463	O RING**	1	64	720449	MAGAZINE	1
08	720410	COMPRESSION SPRING	1	37	720242	O RING**	1	66	721053	LOCK NUT	1
09	720465	O RING**	1	38	720277	SPRING	1	67	720300	HEX.SOC.HD.BOLT	2
10	720411	PISTON HEAD VALVE	1	39	720406	PLUNGER	1	68	720431	BRACKET	1
11	720467	O RING**	1	40	720460	O RING**	2	69	720434	STOPPER	1
12	720469	O RING**	2	41	720464	O RING**	1	70	720435	PUSHER	1
13	720413	COLLAR	1	42	720403	TRIGGER VALVE CAP	1	71	720400	SLIDE BLOCK	2
14	720414	CYLINDER CAP SEAL	1	42A	720404	TRIGGER VALVE ASSEMBLY	1	72	720451	SPRING	2
15	720466	O RING**	1	43	720407	SPRING	1	73	720473	ROLLED PIN	2
16A	720441	DRIVER ASSEMBLY**	1	44A	720420	SEQUENTIAL FIRE TRIGGER,	1	74	720448	MAGAZINE COVER	1
17	720415	CYLINDER	1	45	720418	BUMPER	1	75	720485	UM.HD.BOLT	2
18	720468	O RING**	1	46	720452	WASHER	1	76	720432	LATCH	1
19	720470	O RING	1	47	720471	O RING	1	77	720421	COMPRESSION SPRING	1
20	720416	CYLINDER RING	1	48	720461	O RING	1	78	720436	MAGAZINE REAR COVER	1
21	720472	O RING**	1	49	720447	BOTTOM	1	79	720437	STEP PIN	1
22	721020	O RING**	3	50	720459	HEX.SOC.HD.BOLT	4	80	720330	LOCK NUT	2
23	720419	BODY	1	51	720476	ROLLED PIN	2	81	720450	STABILIZER	1
24	720474	ROLLED PIN	1	52A	720422	DEPTH OFDRIVE ASSEMBLY	1	85	720482	WAVE WASHER	2
25	720475	ROLLED PIN	1	53	720423	CONTACT ARM	1	86	720483	HEX.SOC.HD.BOLT	2
26	720427	STEP PIN	2	54	720462	O RING**	1				
27	720424	GASKET	1	55	720446	UPPER SAFETY LEVER	1				
28	720425	END CAP, BLACK	1	56	720335	E RING	1				
29	720453	C RING**	1	57	720454	HEX.SOC.HD.BOLT	3				

** DENOTES WEAR ITEM
 > DENOTES PART CHANGE