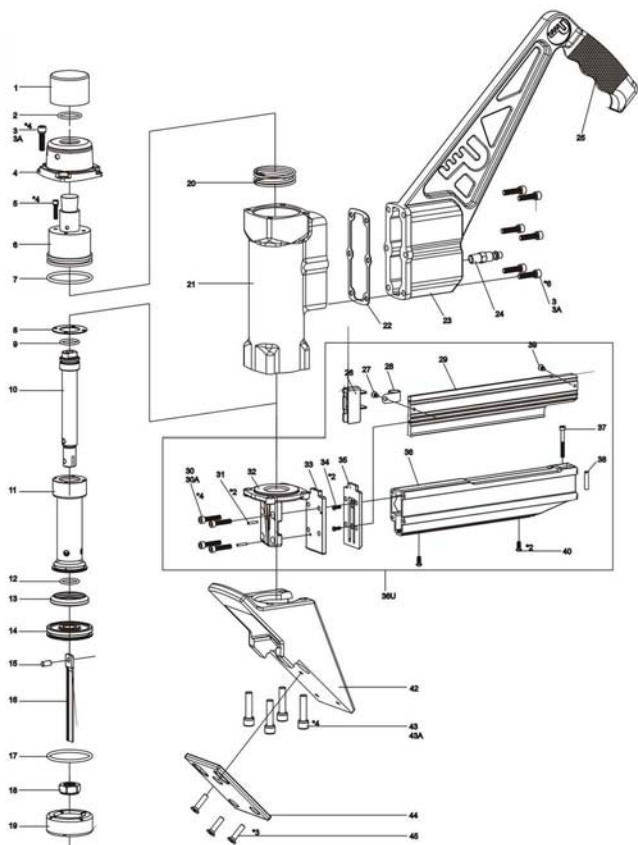


# EXPLODED VIEW

FloorMaster



# SPARE PARTS LIST

FloorMaster

ITEM	PART #	DESCRIPTION	ITEM	PART #	DESCRIPTION
1	200101	Hammer Face	26	200126	Pusher
2	200102	O-ring	27	200127	Screw,
3	200103	Screw,	28	200128	Feeder Spring
3A	200146	Washer,	29	200129	Staple Guide Plate
4	200104	Cap	30	200130	Screw,
5	200105	Screw	30A	200147	Washer, Lock
6	200106	Poppet Actuator	31	200131	Spring Pin
7	200107	O-ring	32	200132	Nose
8	200108	Gasket	33	200133	Blade Guide
9	200109	O-ring	34	200134	Screw
10	200110	Piston Stem	35	200135	Wear Plate
11	200111	Poppet	36	200136	Magazine Body
12	200112	O-ring	37	200137	Screw,
13	200113	Poppet Seal	38	200138	Spacer
14	200114	Piston	39	200139	Screw
15	200115	Pin	40	200140	Screw
16	200116	Driver Blade	42	200142	Shoe
17	200117	O-ring	43	200143	Screw,
18	200118	Lock Nut	43A	200148	Washer, Lock
19	200119	Bumper	44	200144	3/4" Adaptor Pad
20	200120	Spring	45	200145	Screw
21	200121	Body	36U	200136U	Magazine Unit
22	200122	Body Gasket			
23	200123	Handle			
24	200124	Air Plug			
25	200125	Handle Grip			