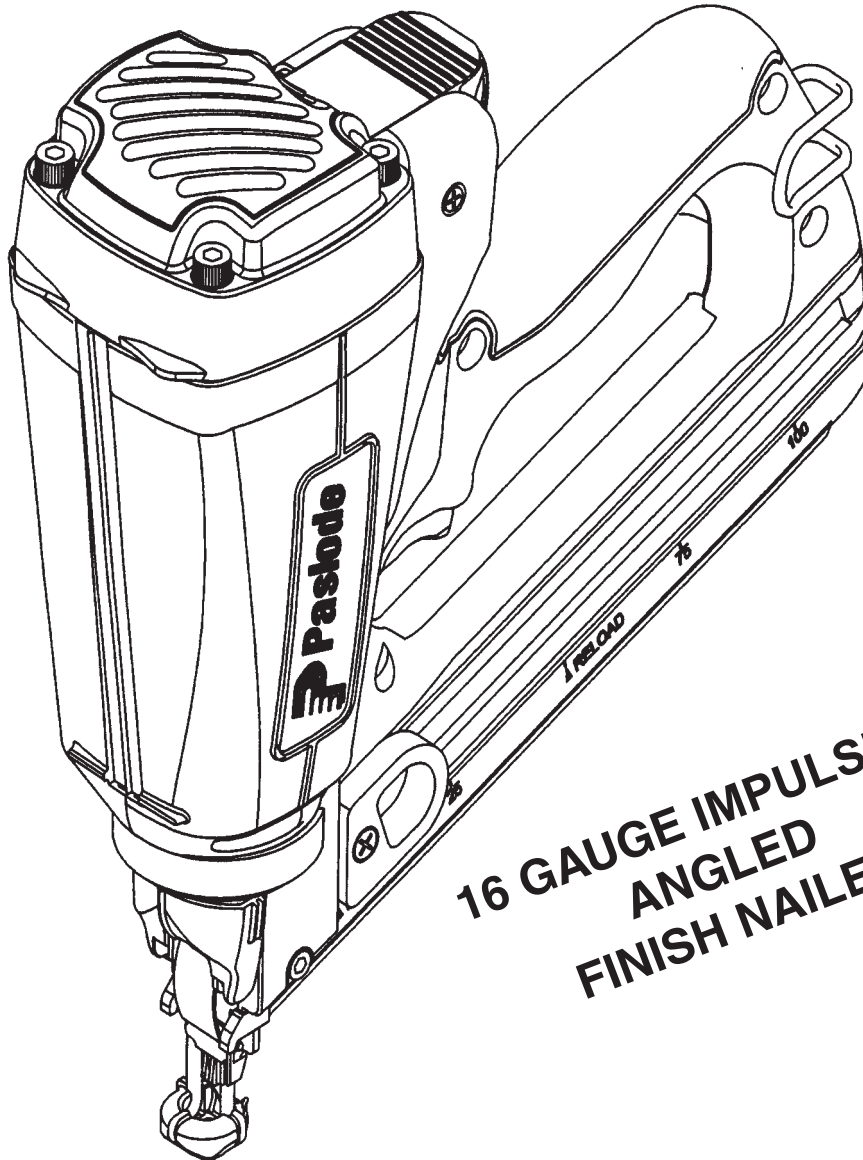




MACHINE CODE : B20720

Trim Master  
Model: IM250A  
Part No. 900600  
Angled Finish Nailer



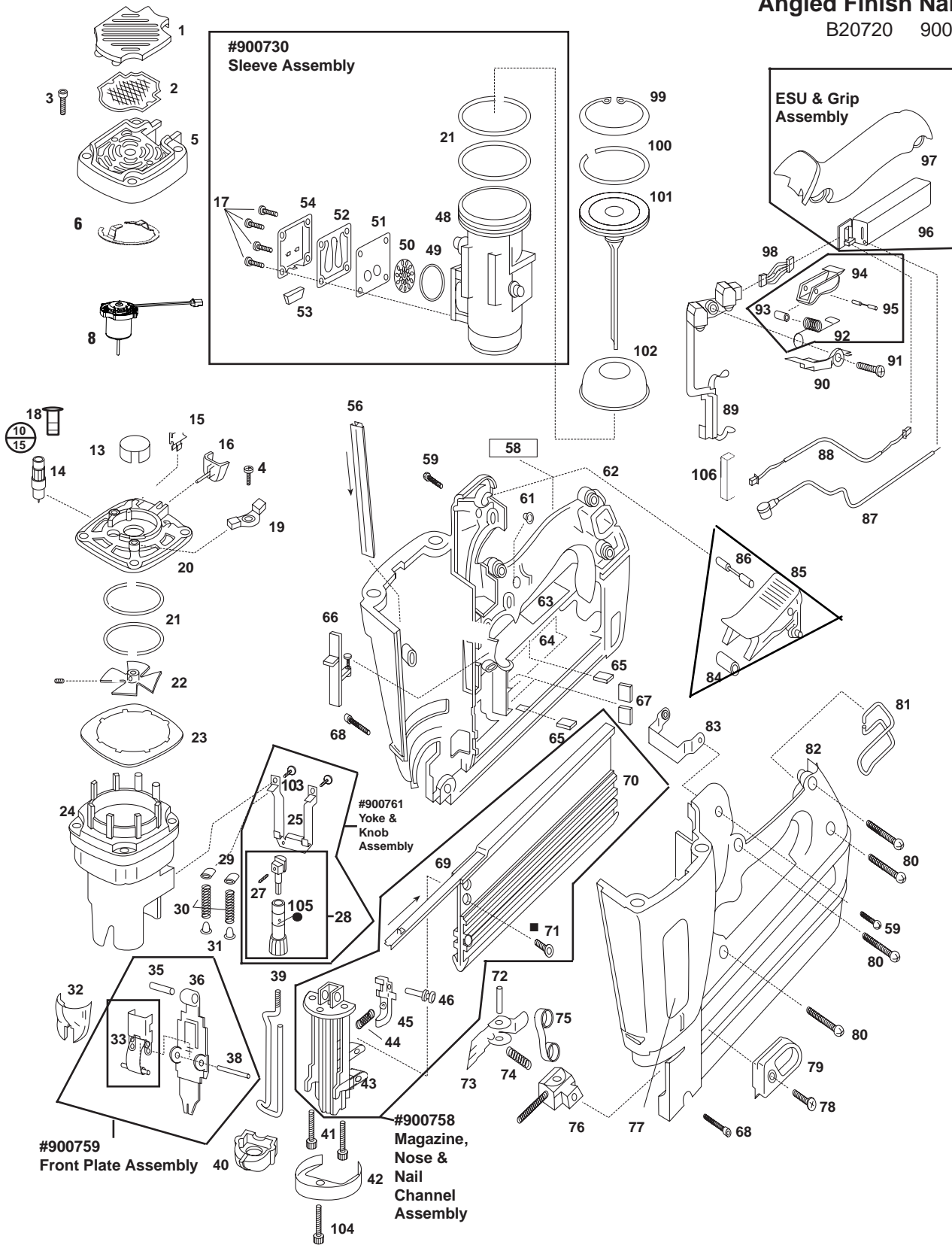
**16 GAUGE IMPULSE  
ANGLED  
FINISH NAILER**

**IMPORTANT!  
DO NOT DESTROY**

Always refer to operating manual #405630 for detailed information on this tool. It is the customer's responsibility to have all operators and service personnel read and understand this information.

**TOOL SCHEMATIC AND PARTS**

**Impulse 16 ga.  
Angled Finish Nailer**  
B20720 900600



**⚠ WARNING**  
All parts must be periodically inspected and replaced if worn or broken. Failure to do this can affect the tool's operation and present a safety hazard.

# PARTS LEGEND

## IM250A F-16 ANGLED BRADDER,B20720 / 900600

1	900640	1	Grill	59	900598	2	Sems Screw 10-32 x 5/16"		
*	2	900648	1	Filter	61	404385	1	Light Pipe	
3	901064	4	Shoulder Screw 8-32 x 1-3/8"	62	900731	1	Handle,Right Side		
4	900596	1	Screw, Sems 8-32 x 7/16"	**	63	900496	1	Warning Label	
5	900961	1	Cap & Grill	64	900508	1	International Label		
6	901119	1	Retaining Ring	65	404922	2	battery Contact Pad		
8	901382	1	Fan Motor Assembly	66	900726	1	Slide Switch Assembly		
*	13	401356	1	Motor Sleeve	67	401450	3	BatteryPad	
14	900714	1	Spark Plug Assembly	68	900792	2	Shoulder Screw		
15	900674	1	Wire Clip	69	900770	1	Brad Channel		
16	900697	1	Stem Adapter	70	900773	1	Magazine Extrusion		
■	17	405140	4	Screw 8-32 x 3/8"(RED)	■	71	900660	2	Screw 10-32 x 3/8"
18	900785	1	Insulator	72	900722	1	Follower Pin		
19	900739	1	Cylinder Head Circuit Board Assembly	73	900679	1	Follower		
20	900605	1	Cylinder Head	74	900691	1	Compression Spring		
21	900612	4	Seal Ring	75	900627	1	Negator Spring		
22	900709	1	Fan Assembly	76	900720	1	Follower Core		
23	900700	1	Air Dam	77	900651	2	Housing Label		
24	900729	1	Combustion Chamber Assembly	78	900724	1	ScrewPlastite 8-16 x 5/8"		
25	900704	1	Yoke	79	900617	1	Follower Body		
27	900734	1	Roll Pin	80	901066	4	Screw Plastite		
28	900727	1	Knob w/Yoke Guide Assembly	81	900289	1	Belt Hook		
29	900707	2	Probe Bumper	82	900732	1	Handle,Left Side		
30	900671	2	Spring,Combustion Chamber	83	900703	1	Handle Bracket		
31	900706	2	Spring Guide	84	900755	1	Bushing Actuator		
32	900688	1	Latch Cover Quick Clear	85	900788	1	Actuator		
33	900786	1	Quick Clear Lever Assembly	86	404433	1	Pin Actuator		
35	900619	1	Dowel Pin	87	900765	1	Spark Plug Wire Assembly		
36	900684	1	Front Plate	88	900663	1	Fan Wire Assembly		
38	900685	1	Latch Cover Pin	89	900661	1	Molded Circuit Assembly		
39	900686	1	Probe	90	900629	1	High Tension Clip		
40	900702	1	Probe Tip	91	404702	1	Screw 6-32 x 3/8"		
41	900708	2	S.H.C.S. 8-32 x 1/2" (RED)	92	900626	1	Trigger Spring		
42	900692	1	Retaining Cup	93	900608	1	Trigger Spring Bushing		
43	900772	1	Nose	94	900632	1	Trigger with Pad		
44	900631	1	Spring	95	900607	1	Trigger Pin		
45	900602	1	Lockout Bar	96	900672	1	Electronic Spark Unit		
46	900630	1	Lockout Pin	97	900696	1	Soft Grip		
48	900730	1	Sleeve Assembly	98	900662	1	ESU Power Wire Assembly		
49	900616	1	O-Ring	99	403099	1	Retaining Ring		
50	901089	1	Exhaust Baffle	100	403098	1	Piston Ring		
51	900665	1	Reed Plate	* 101	900728	1	Piston Assembly		
52	900664	1	Reed Valve	* 102	900680	1	Piston Bumper		
53	900609	1	Muffler	103	900746	2	Screw 8-32 x 7/16'		
54	900668	1	Muffler Cover	104	900754	1	Screw 8-32 x 1/2" (YELLOW)		
56	900620	1	Front Channel Extrusion	105	900645	1	Ball, Knob		
58	900711	1	Nameplate	106	900766	1	Pad,Molded Circuit Board		

\*\* Make Sure Warning Label (900496) is Properly affixed.

Replace If necessary.Label is available at no charge through the Service Department.

> Denotes New Change

■ Apply Loctite RC-620 (GREEN)

### SAFETY INSTRUCTIONS

WEAR EYE AND HEARING PROTECTION



Always wear hearing protection and eye protection devices, including side shields when operating or working in the vicinity of a tool.



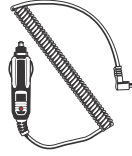
MACHINE CODE :B20720

IM250A-F16

## ACCESSORIES

### Car Adapter

Enables you to re-charge your battery with your vehicle's electrical system.



Part No. B20544H

---

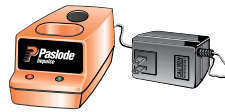
### Battery Cell

Part No. B20544E

---

### Battery Charger Kit

(Replacement Transformer Only Part No. B20544C)



Part No. B20544B

---

### Rear Facing W.C.E. Probe

Ideal for getting into "tight" spots.



Part No. 900764

---

### 9/64" Hex Key

For cleaning tool.

Part No. 900736

---

### Degreaser Cleaner

Ideal cleaner for all Paslode® tools.

Part No. B20544L

---

### Impulse Oil

Part No. B20544F

---

### Carrying Case

Part No. 900751

---

 **Paslode**<sup>®</sup>  
An Illinois Tool Works Company  
888 Forest Edge Drive  
Vernon Hills, Illinois 60061  
www.paslode.com