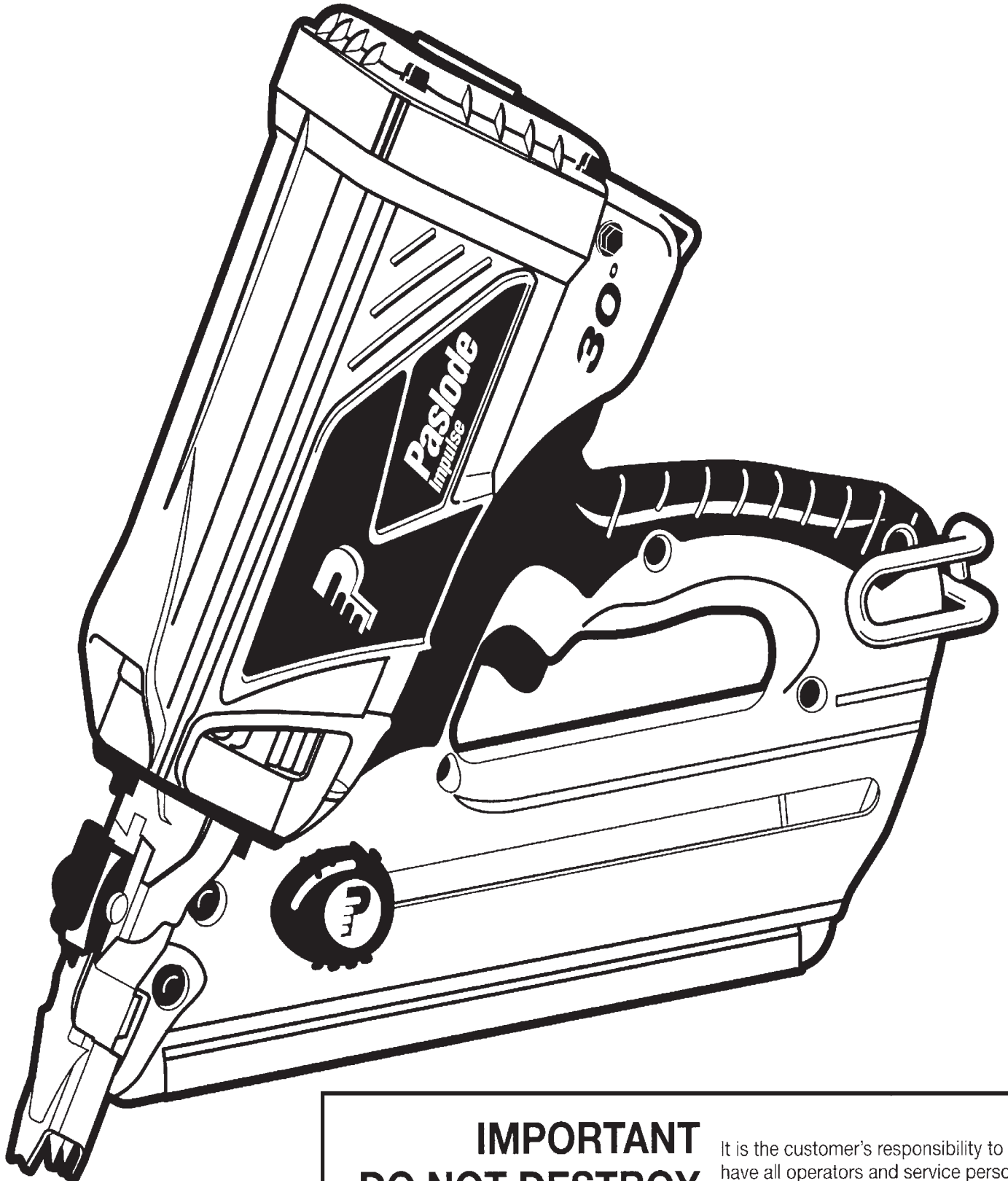


Paslode[®]
Impulse

FrameMaster[®]

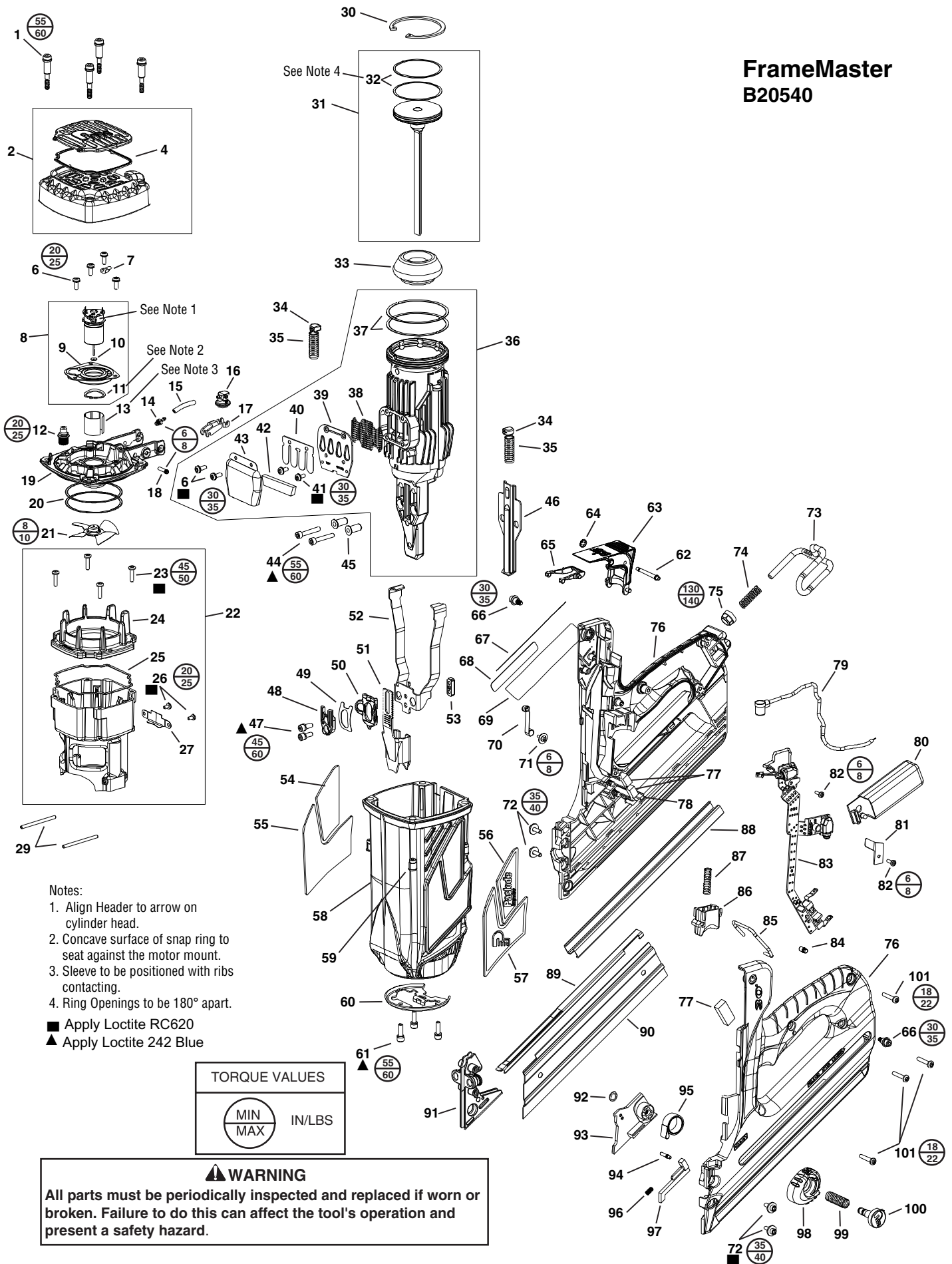
Product Code B20540



IMPORTANT
DO NOT DESTROY

It is the customer's responsibility to have all operators and service personnel read and understand this manual.

FrameMaster B20540



TORQUE VALUES	
MIN	IN/LBS
MAX	

⚠ WARNING
All parts must be periodically inspected and replaced if worn or broken. Failure to do this can affect the tool's operation and present a safety hazard.

PARTS LEGEND **FrameMaster Cordless Framing Nailer, B20540**

1	901063	4	Shoulder Screw 10-24 x 1-1/2	54	902267	1	Label, "Paslode" - Right	
2	902283	1	Cap & Grille Assembly	55	902266	1	Label, Logo - Right	
*	4	900315	1	Filter	56	902265	1	Label, "Paslode" - Left
■	6	900596	6	Screw thread Forming Sems 8-32 x 7/16	57	902264	1	Label, Logo - Left
7	404453	1	Bracket, Cylinder Head	58	902261	1	Housing	
8	900469	1	Fan Motor Assembly	59	900546	4	Brass Insert	
9	900470	1	Motor Mount	60	902240	1	Retainer Ring, Sleeve	
10	900468	1	Washer, Motor Shaft	▲	61	900593	3	S.H.C.S. Sems 10-24 x 5/8
11	401355	1	Retaining Ring (Curved)	62	902230	1	Pin, Fuel Door	
12	900286	1	Spark Plug Assembly, includes O-Ring	63	902268	1	Fuel Door	
*	13	401356	1	Motor Sleeve	64	902235	1	Retaining Ring, Fuel Door
14	902214	1	Fuel Barb	65	902210	1	Fuel Dosing Lever	
15	902215	1	Fuel Tube	66	901222	2	Shoulder Screw 10-32 x 1/2	
16	902212	1	Fuel Block	**	67	900497	1	Label, Warning
17	902211	1	Fuel Pivot Arm	68	902287	1	Label, Nameplate	
18	902213	1	Fuel Arm Pivot	**	69	900508	1	Label, Warning
19	902221	1	Cylinder Head	70	404448	1	Roller Lever Assembly	
*	20	900935	2	Seal Ring	71	900597	1	Screw Thread Forming Sems 6-19 x 3/8
21	403167	1	Fan Blade Assembly	■	72	900594	4	S.H.C.S Sems 8-32 x 1/2
22	902233	1	Combustion Chamber Assembly	73	902237	1	Utility Hook	
■	23	900969	4	Torx Screw 8-32 x 5/8	74	902238	1	Spring, Utility Hook
24	902222	1	Combustion Chamber Ring	75	902227	1	Button, Utility Hook	
25	900481	1	O-Ring	76	902226	1	Handle Assembly Kit-Right & Left	
■	26	403987	2	Screw Thread Forming 6-32 x 1/4	77	401450	3	Foam Pad
27	404412	1	Wear Plate, Chamber Lock	78	404922	2	Pad, Battery Contact	
29	404827	2	Pin	79	900478	1	Spark Plug Wire Assembly	
30	401328	1	Retaining Ring	80	900474	1	Spark Unit Assembly	
31	404485	1	Piston Assembly - Includes Rings	81	900231	1	Clip, Spark Plug Wire	
32	401461	2	Piston Ring	82	404702	2	Screw Thread Forming 6 x 3/8	
*	33	404419	1	Bumper	83	900475	1	Moulded Circuit Board
34	404464	2	Rubber Stop	84	900427	1	Light Pipe	
35	404411	2	Spring	85	900269	1	Chamber Lock Bar	
>	36	901204	1	Sleeve Assembly - Includes Rings	86	404435	1	Trigger
*	37	900934	2	Steel Ring, Sleeve	87	404927	1	Spring, Trigger
38	404426	1	Exhaust Baffle	88	902216	1	Magazine Channel	
39	404425	1	Reed Plate	89	404436	1	Nail Channel	
40	404424	1	Reed Valve	90	404441	1	Cover Plate Magazine	
■	41	900595	2	Torx Screw Sems 8-32 x 3/8	91	902250	1	Shear Block
42	404422	1	Muffler	92	901202	1	Retaining Ring	
43	404423	1	Muffler Cover	93	403985	1	Follower	
▲	44	403816	2	S.H.C.S. 10-24 x 1-1/8	94	403986	1	Spring
45	404445	2	Bushing, Shear Block	95	900520	1	Follower Bushing Spring Assembly	
46	902249	1	Wear Plate, Nose	96	404457	1	Spring	
47	900592	2	S.H.C.S. Sems 10-32 x 1/2	97	404451	1	Lockout Bar, Follower	
48	901241	1	Stop, Cage	98	902204	1	Follower Guide	
49	901238	1	Spring, Flat	99	902239	1	Spring	
50	901240	1	Probe, Release	100	902205	1	Follower Button	
51	902269	1	Probe, Lower	101	900453	4	Screw, Plastite 8-16 x 7/8	
52	901249	1	Probe, Upper					
53	401380	1	Tie Bar					

- ** Make sure Warning Labels (#900497,) are properly affixed.
Replace if necessary. Label is available at no charge through the Service Department.
- ▲ Apply Loctite 242 (Blue) Part No. 093500.
- Apply Loctite RC-620 (Green) Part No. 401491
- > Denotes new change.
- * Denotes Normal Wear Items

SAFETY INSTRUCTIONS

WEAR EYE AND HEARING PROTECTION



Always wear hearing protection and eye protection devices, including side shields when operating or working in the vicinity of a tool.



⚠ WARNING

All parts must be periodically inspected and replaced if worn or broken. Failure to do this can affect the tool's operation and present a safety hazard.

ACCESSORIES

Car Adaptor

Enables you to re-charge your battery with your vehicle's electrical system.



Part No. B20544H

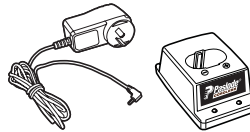
Battery



Part No. B20544E

Battery Charger Kit

(Replacement Charger Base Only Part No. B20544D)
(Replacement Transformer Only Part No. B20544C)



Part No. B20544B

Degreaser Cleaner

Ideal cleaner for all Paslode® tools



Part No. B20544L

Paslode Lubricating Oil



Part No. B20544F

Carrying Case



Part No. 404710

No-Mar Work Contacting Element

Rubber tipped WCE to eliminate marring work surface.
(Replacement rubber tip, Part No. 403369)



Part No. B20544G



PO Box 914
Ingleburn, 1890
www.paslode.com.au



PO Box 100 303 NSMC
Auckland, New Zealand
www.paslode.co.nz