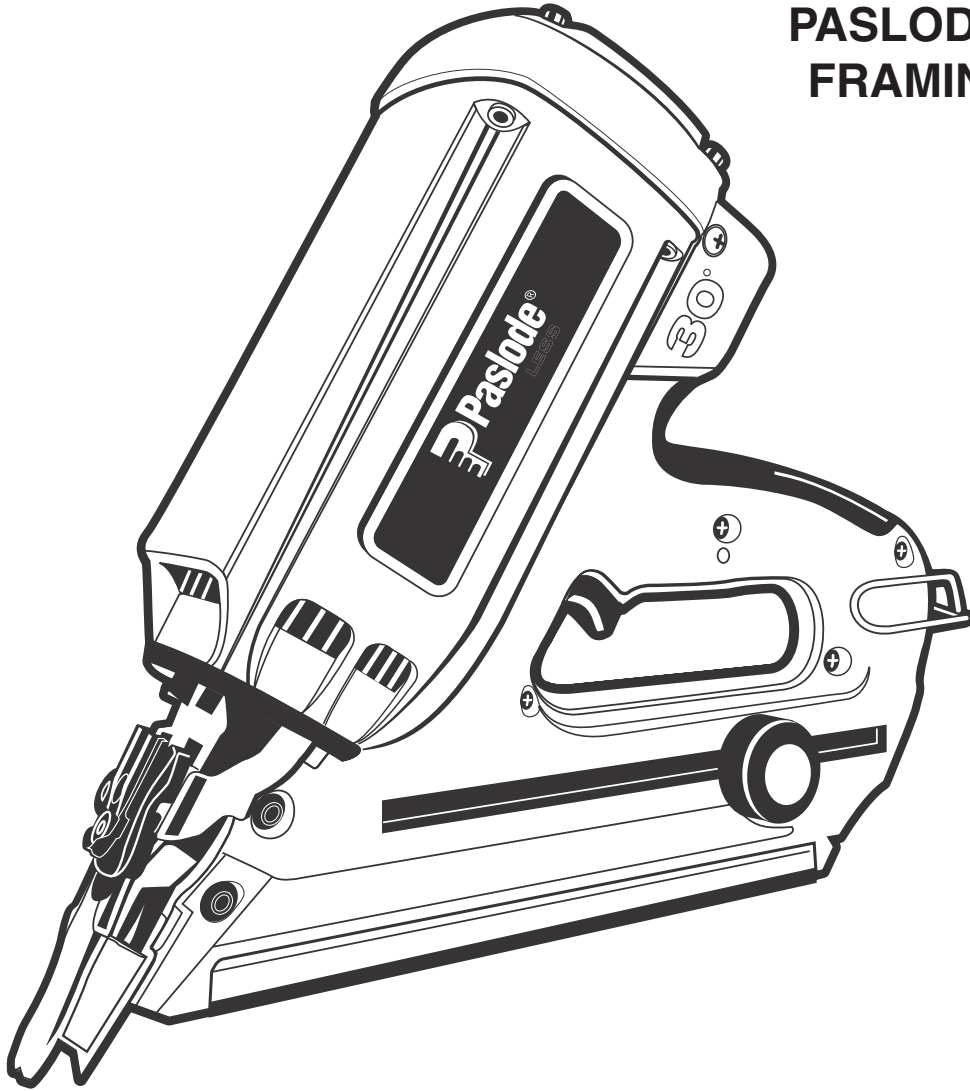




Part. No. 900420

MACHINE CODE B20544
**PASLODE IMPULSE
FRAMING NAILER**

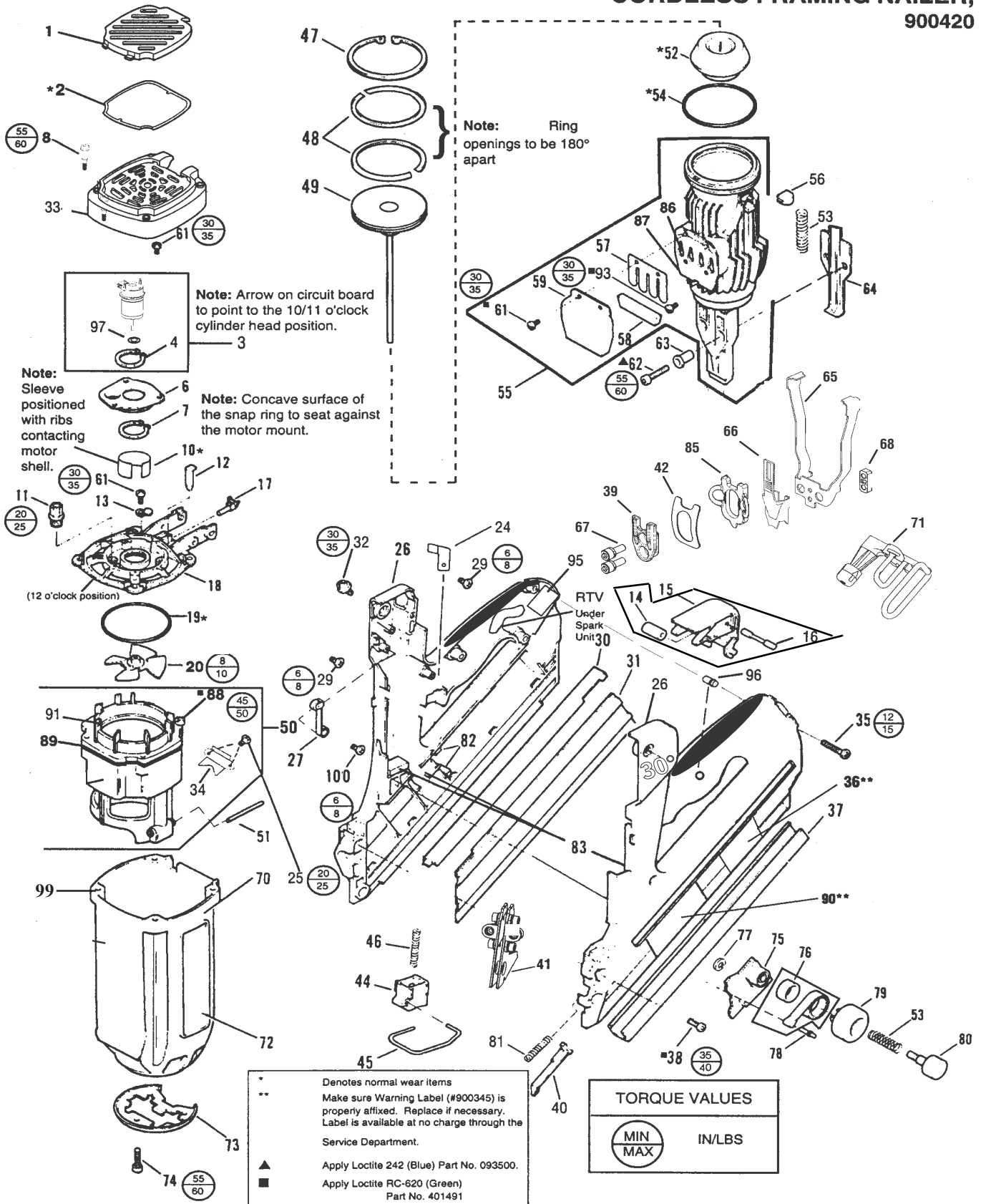


TOOL SCHEMATIC AND PARTS

IMPORTANT! DO NOT DESTROY

Always refer to operating manual #403608 for detailed information on this tool. It is the customer's responsibility to have all operators and service personnel read and understand this information.

MACHINE CODE B20544
CORDLESS FRAMING NAILER,
 900420



PARTS LEGEND Paslode IMPULSE FRAMING NAILER, 900420

1	900320	1	Grill	50	900521	1	Combustion Chamber Assembly
*2	900315	1	Filter	51	404827	2	Pin
3	900469	1	Fan Motor Assembly (Includes PC board, washer and flat retaining ring)	*52	404419	1	Bumper
4	900300	1	Retaining Ring (flat)	53	404411	3	Spring
6	900470	1	Motor Mount	*54	900934	2	Steel Ring, Sleeve
7	401355	1	Retaining Ring (curved)	55	901204	1	Sleeve Assembly
8	901063	4	Shoulder Screw 10-24 x 1-1/2	56	404464	2	Rubber Stop
*10	401356	1	Motor Sleeve	57	404424	1	Reed Valve
11	900286	1	Spark Plug Assembly, includes O-Ring	58	404422	1	Muffler
12	404428	2	Push Rod	59	404423	1	Muffler Cover
13	404453	1	Bracket, Cylinder Head	■ 61	900596	6	Screw Thread Forming Sems 8-32 x 7/16
14	404432	1	Bushing, Actuator	▲ 62	403816	2	Socket Head Capscrew 10-24 x 1-1/8
15	900966	1	Actuator	63	404445	2	Bushing, Shear Block
16	404433	1	Actuator Pin	> 64	902223	1	Wear Plate, Nose
17	401340	1	Stem Adapter	65	901249	1	Upper Probe
18	900471	1	Cylinder Head Machined	66	901239	1	Lower Probe
*19	403992	1	O-Ring	67	900592	2	S.H.C.S. Sems 10-32 x 1/2
20	403167	1	Fan Blade Assembly	68	401380	1	Tie Bar
21	900474	1	Spark Unit Assembly	70	404704	1	Housing Assembly
22	900475	1	Molded Circuit Assembly	> 71	650422	1	Utility Hook Assembly
23	900478	1	Spark Plug Contact Assembly	72	404390	2	Label
24	900231	1	Clip, ESU Wire	73	900980	1	Retainer Ring, Sleeve
■ 25	403987	2	Screw Thread Forming 6-32 x 1/4	▲ 74	900593	3	S.H.C.S. Sems 10-24 x 5/8
26	219237	1	Handle Assembly Kit - Right & Left	75	403985	1	Follower
27	404448	1	Roller Lever Assembly	76	900520	1	Follower Bushing Spring Assembly
29	404702	2	Screw	77	901202	1	Retaining Ring
30	404436	1	Nail Channel	78	403986	1	Spring Pin
31	404441	1	Cover Plate Magazine	79	403984	1	Follower Guide
32	901222	2	Shoulder Screw 10-32 x 1/2	80	900297	1	Follower Button
> 33	901321	1	Cap & Grill Assy	81	404457	1	Spring
34	404412	1	Wear Plate, Chamber Lock	82	404922	2	Pad, Battery Contact
35	900453	4	Screw Plastite 8-16 x 7/8	83	401450	5	Fuel Cell Pad
** 36	900508	1	Warning Label	85	901240	1	Probe Release
37	404442	1	Channel Magazine	86	404426	1	Exhaust Baffle
■ 38	900594	4	S.H.C.S. Sems 8 - 32 x 1/2	87	404425	1	Reed Plate
39	901241	1	Probe Stop	■ 88	900969	4	Torx Screw 8-32 x 5/8
40	404451	1	Lockout Bar, Follower	89	900481	1	O-Ring
41	901203	1	Shear Block	**90	900497	1	Warning Label
42	901238	1	Spring, Flat	91	900372	1	Combustion Chamber Ring
44	404435	1	Trigger	■ 93	900595	2	Torx Screw Sems 8-32 x 3/8
45	900269	1	Chamber Lock Bar	95	901260	1	Nameplate
46	404927	1	Spring, Trigger	96	900427	1	Light Pipe
47	401328	1	Retainer ring	97	900468	1	Washer, Motor Shaft
48	401461	2	Piston Ring	99	900546	4	Brass Insert
49	404485	1	Piston Assembly	100	900597	1	Screw W/Washer

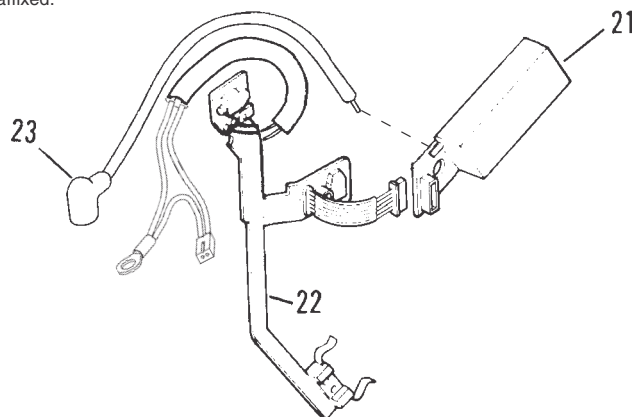
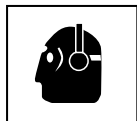
- * Denotes normal wear items
- ** Make sure Warning Labels (#900497,900508) are properly affixed. Replace if necessary. Label is available at no charge through the Service Department.
- ▲ Apply Loctite 242 (Blue) Part No. 093500.
- Apply Loctite RC-620 (Green) Part No. 401491
- > Denotes new change.

SAFETY INSTRUCTIONS

WEAR EYE AND HEARING PROTECTION



Always wear hearing protection and eye protection devices, including side shields when operating or working in the vicinity of a tool.



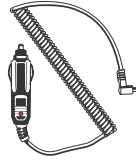
WARNING

All parts must be periodically inspected and replaced if worn or broken. Failure to do this can affect the tool's operation and present a safety hazard.

ACCESSORIES

Car Adapter

Enables you to re-charge your battery with your vehicle's electrical system.



Part No. B20544H

Battery Cell



Part No. B20544E

Paslode Cordless Oil



Part No. B20544F

5/32" Hex Key

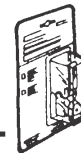
For adjusting work contacting element.



Part No. 401331

No-Mar Work Contacting Element

Rubber tipped WCE to eliminate marring work surface.
(Replacement rubber tip, Part No. 403369)



Part No. B20544G

Paslode Cordless Nailer Case

Part No. 404710

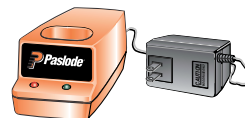
Degreaser Cleaner

Ideal cleaner for all Paslode® tools.

Part No. B20544L

Battery Charger Kit

(Replacement Charger Base Only Part No. 900476)



Part No. B20544B

(Replacement Transformer Only Part No. B20544C Australia)



An Illinois Tool Works Company
888 Forest Edge Drive
Vernon Hills, Illinois 60061